

ASSA ABLOY is the global leader in door opening solutions, dedicated to satisfying end-user needs for security, safety and convenience



Please Note:

This document is provided as a dimensional reference and should not be printed as a drilling template unless it can be correctly scaled to 100% by your printer.

ASSA ABLOY Australia Pty Limited
235 Huntingdale Road,
Oakleigh Victoria, 3166
Australia

info.au@assaabloy.com
assaabloy.com.au

ASSA ABLOY New Zealand Ltd.
6 Armstrong Road
Albany, North Shore City, 0632
New Zealand

info.nz@assaabloy.com
assaabloy.co.nz



ASSA ABLOY

2024 SERIES OFFSET ARM / Z BRACKET INSTALLATION INSTRUCTIONS

EN	DOOR WIDTH (mm)	DOOR WEIGHT (kg)
3	≤950	≤60



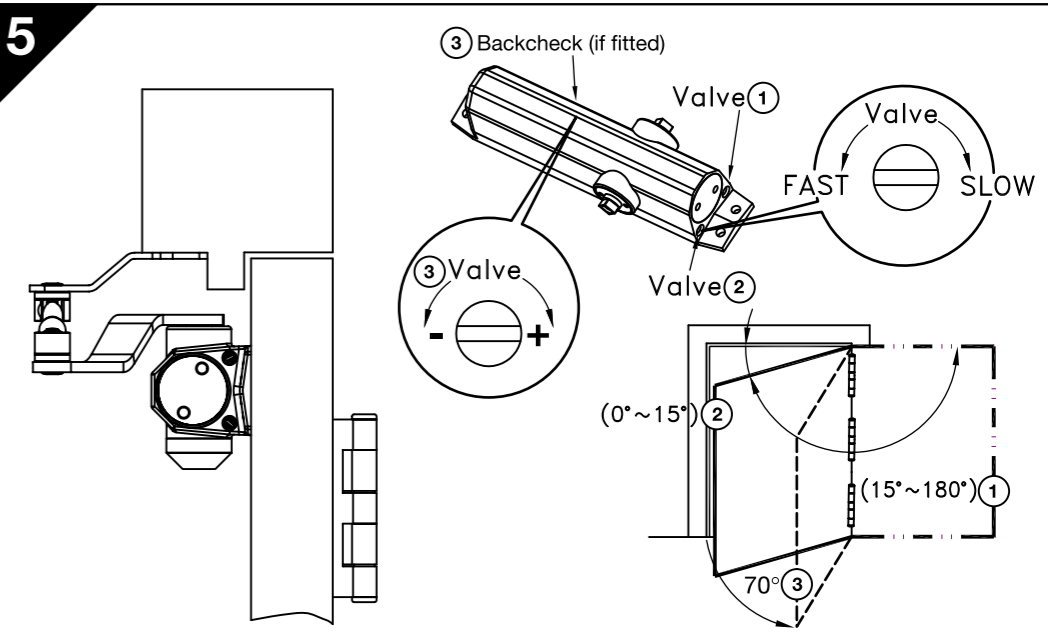
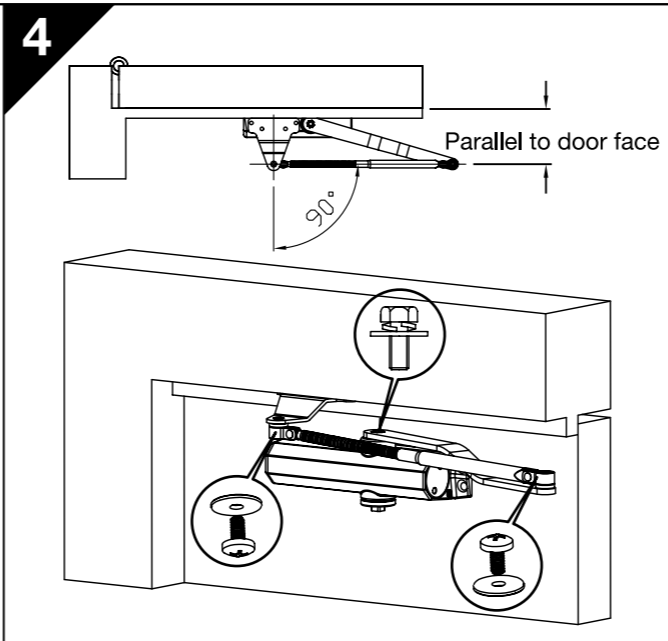
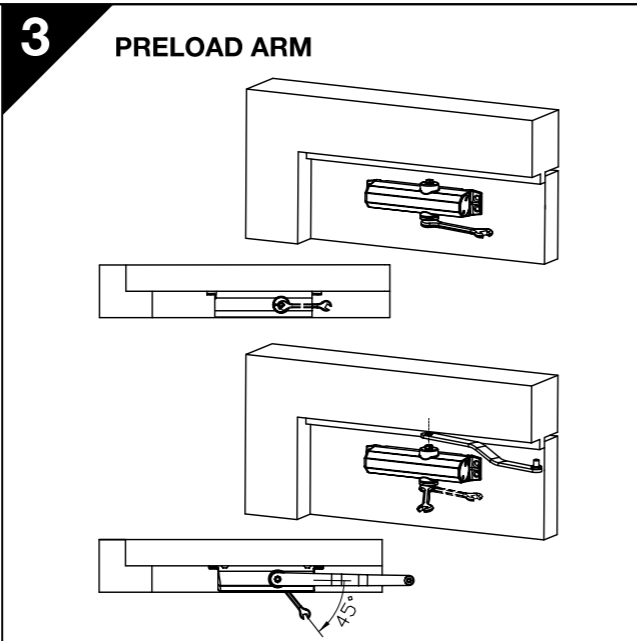
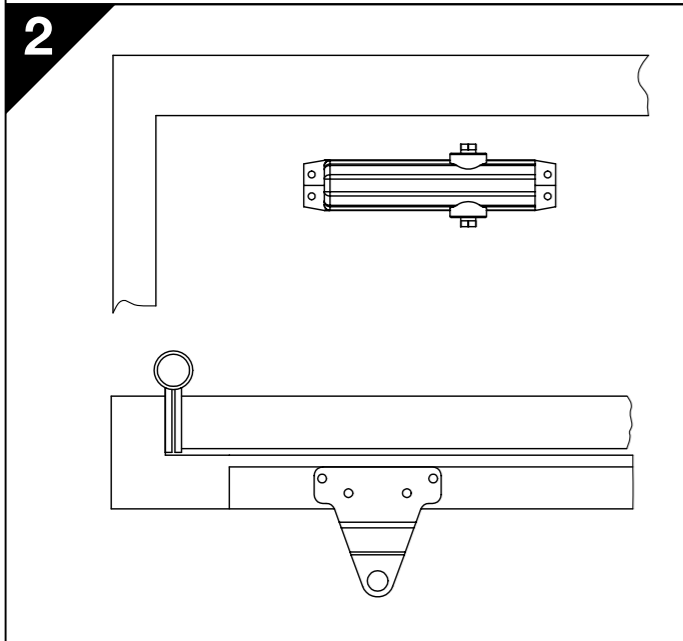
164

54

ø3.0	ø4.2
	M5

116

REMOVE SHOE FROM ARM 1

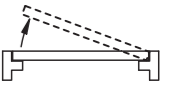


2024-521 Issue B 0309

EN	DOOR WIDTH (mm)	DOOR WEIGHT (kg)
3	≤950	≤60



**2024 SERIES
OFFSET ARM / Z BRACKET
INSTALLATION INSTRUCTIONS**



TOP OF DOOR

TOP OF DOOR

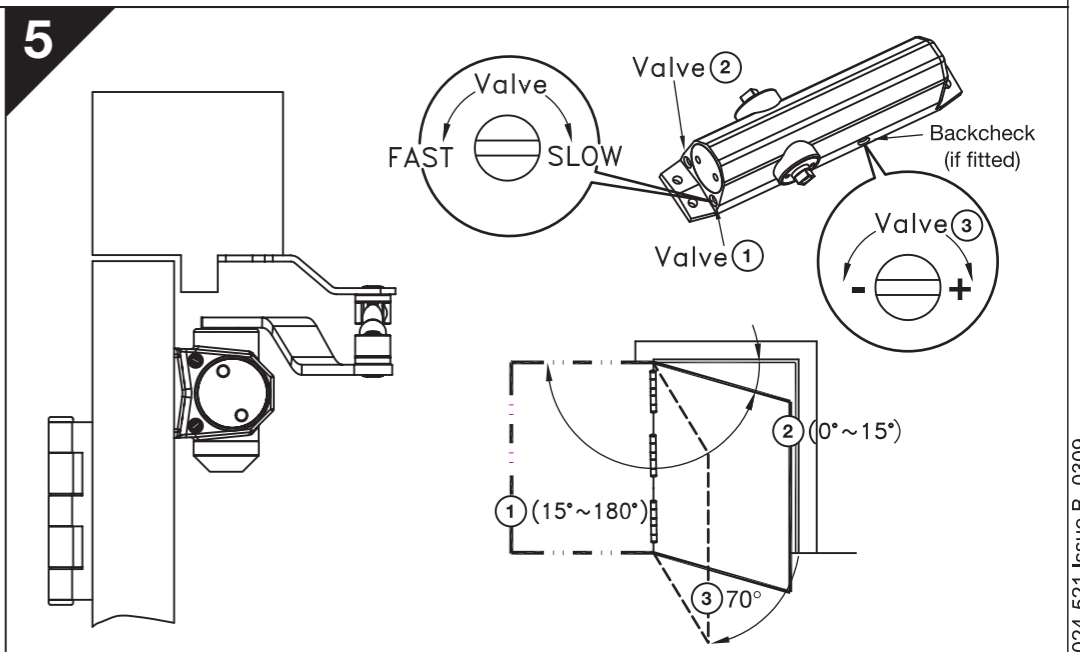
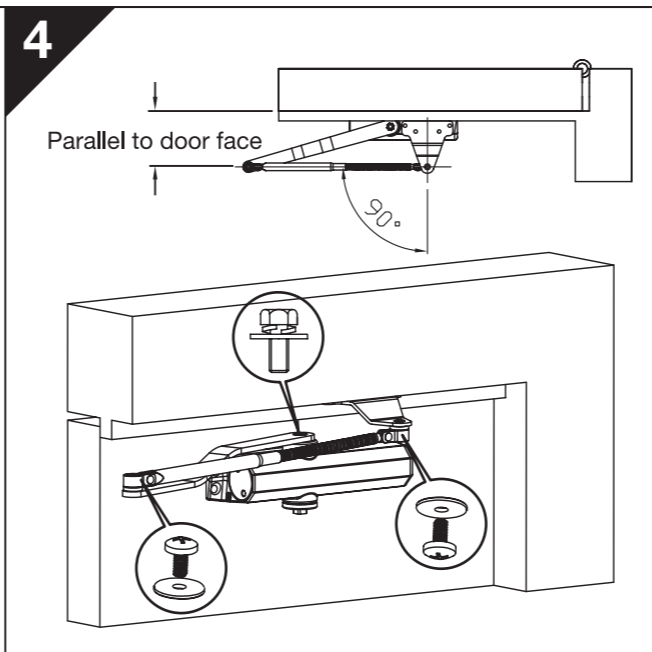
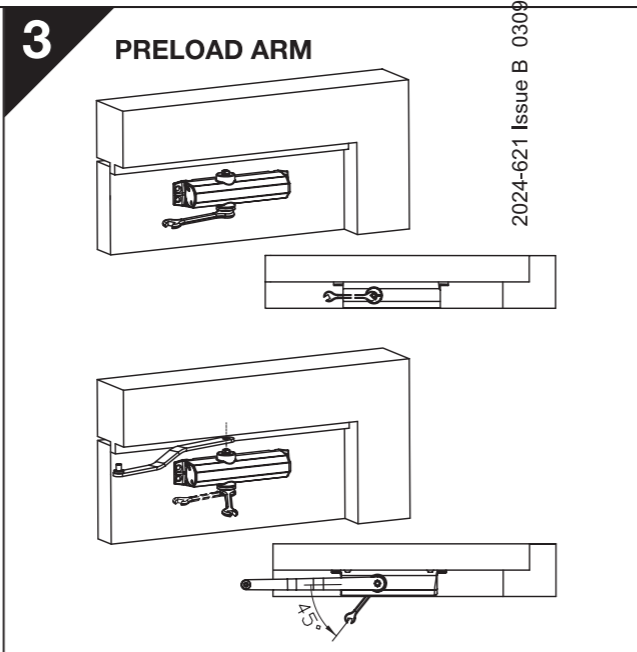
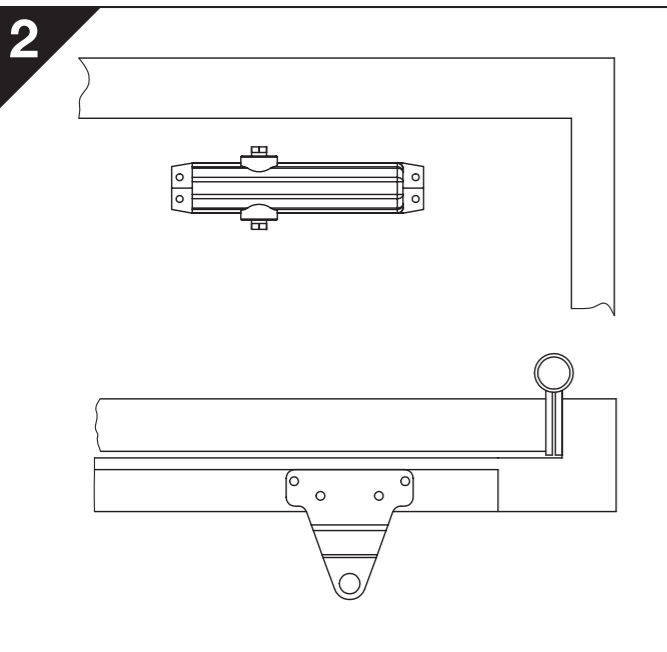
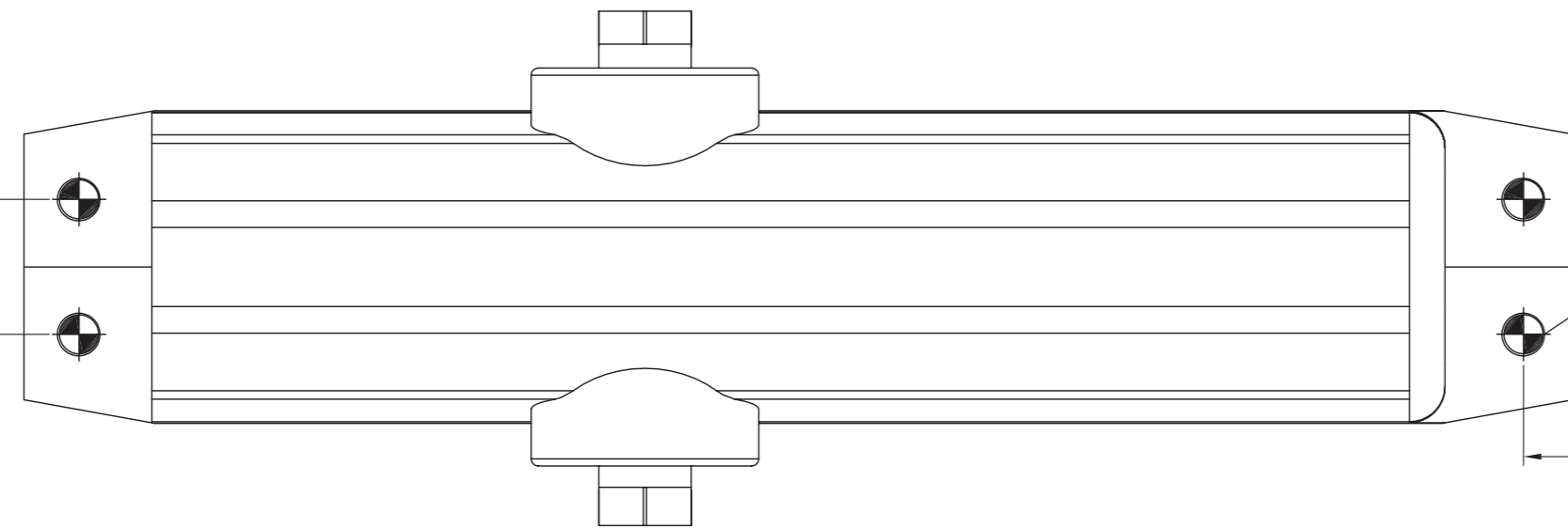
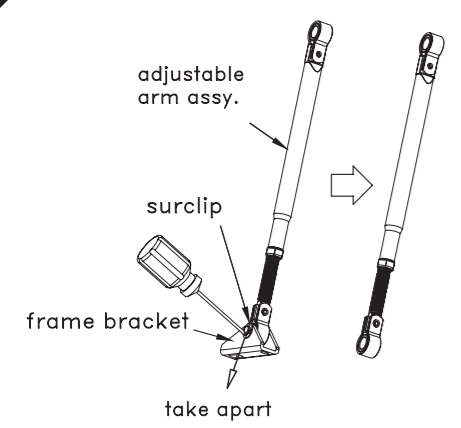
54

164

19

116

1 REMOVE SHOE FROM ARM



2024-521 Issue B 0309