

Apex[®] PLUS

APEX PLUS DECKING INSTALLATION GUIDE

VERSION C1.0 | 20/02/2023



Before installing, please ensure you have downloaded the latest version of this installation guide by scanning this code.

www.eva-last.com

A PRODUCT BY

EVA-LAST[®]
INSPIRED BY NATURE, DESIGNED FOR LIFE.

Contents

Introduction	3
1. Critical installation points	3
2. Pre-installation	5
2.1 Standards.....	5
2.2 Safety	5
2.3 Storage and handling.....	5
2.4 Planning and site preparation	6
3. Cutting and fastening	7
3.1 Cross cutting.....	7
3.2 Ripping	7
3.3 Top fixing.....	8
3.4 Cutting and fastening triangular pieces	9
3.5. Cutting length.....	9
3.5.1 Fundamentals of expansion and contraction.....	9
3.5.2 Installation best practice for boards that expand and contract.....	10
3.5.3 Determining expansion and contraction gaps	10
4. Planning and installation	12
4.1 Substructure planning and installation	12
4.2 Decking planning and installation.....	13
4.3 Decking planning and installation.....	13
5. Disclaimer and copyright	18
5.1 Document disclaimer	18
5.2 Drawing disclaimer	18
5.3 Utilisation disclaimer.....	18
5.4 Copyright.....	18
Appendix A - Profiles and compatible fasteners	19
Appendix B - Installation	22
Appendix C - Summary matrix of expansion gaps for different conditions	30
Appendix D - Corrosion references	32
Appendix E - Troubleshooting	35
Appendix F- Glass reinforced material range Safe Work Procedure (SWP)	37

Introduction

Thank you for choosing an Eva-last decking product. This guide aims to provide the essential information needed to successfully install an Apex Plus It is assumed, however, that the user of this document has a basic understanding of deck building practices and pertinent building codes. Compliance with the requirements captured herein must be met for full warranty coverage.

Apex Plus products are made from a foamed mineral-polymer composite core, with an innovative double layer polymer cap providing a unique finish as well as improved slip resistance. See the list of profiles and corresponding fasteners captured in **Appendix A**.

1. Critical installation points

This summary of critical installation points in no way replaces the full Apex Plus installation guide which is available for download on www.eva-last.com. It is recommended that you download and familiarise yourself with the full installation guide.

Substructure:

- Plan your substructure to align with the intended deck layout.
- Ensure your substructure is level and secure.
- Use appropriate spans. The maximum centre-to-centre span for the 140 mm and 190 mm wide Apex Plus profiles is 450 mm. These spans are suitable for residential applications and most other typical applications. Consult an appropriately qualified professional for spans above this maximum, or where ultimate load cases are greater than 4 kPa and/or serviceability load cases are greater than 2 kPa (based on a serviceability limit of 2.5 mm).
- Support boards along all cut edges.
- Use double joists at all butt joins so that both board edges are fully supported.
- Use noggins between joists where breaker boards are used. The spans between noggins must not be greater than the maximum centre-to-centre span of Apex Plus.

Fastening:

- HULK S-Series clips or Chain Collated Clips must be used when installing Apex Plus . The manufacturer cannot guarantee a successful install using other decking clip brands which could then affect your warranty.
- Use two fasteners (hidden clips or top fixings) at every joist.
- Boards wider than 150 mm require three fasteners per joist when top fixed.
- Maintain a clip fastening distance of between 10 mm (minimum) and 20 mm (maximum) from the end of the board.
- When top fixing boards (decking and fascia), ensure a spacing of 30 mm between fasteners and from any board edge.
- Appropriate fasteners must be used when top fixing.
- Do not over-tighten any fasteners. The torque setting of your driver must be less than 30% of the maximum allowable.

Ripping:

- Do not rip groove boards narrower than 60 mm or square edged boards narrower than 90 mm.

Trim or Fascia:

- Always install your trim or fascia beneath the lip of the boarder board.

Expansion:

- Apex Plus can expand and contract up to similar rates experienced with typical wood-plastic composite materials.
- To allow for an appropriate expansion gap per board, multiply the length of the board (**L**) by 0.04 and by the difference between the installation temperature and the possible maximum temperature of the boards (Change in Temp.):
- Change in board length = **L x 0.04 x Change in Temp.**

Example: Change in board length = $5.45 \times 0.04 \times (36^{\circ}\text{C} - 18^{\circ}\text{C})$

Change in board length = 3.9 mm

Expansion gap = 3.9 mm / 2

Expansion gap = 1.95 mm (either end of the board)

Please refer to **Section 3.5.1** in this installation guide for more information on this topic.

- Use the same method to estimate maximum gap size (when boards are fully contracted) to ensure this is suitable for the project.
- Where the expected temperature range is high consider using lighter coloured deck boards to reduce the required expansion gap.
- To further reduce the expansion gap, boards can be cut to shorter lengths.
- Breaker boards must be used between boards that are installed end-to-end to assist in controlling expansion and contraction.
- Use boarder boards around the perimeter of an installation to further assist in controlling expansion and contraction.
- Do not use grooved decking boards for stairs, breakers and/or boarder boards, only use square edge boards.
- If the expansion and contraction is not managed appropriately, the warranty may be affected.

2. Pre-installation

2.1 Standards

Legislation may differ between jurisdictions. Before installing any Eva-Last product, ensure that the application is rational and complies with the local regulations and building codes. Wherever necessary, consult a suitably qualified professional. Be sure to comply with material manufacturer specifications. Where manufacturer's specifications and building codes differ, revert to the building code requirements. Check that your choice of product is suitable for its intended application. For further product specification and information visit www.eva-last.com.

2.2 Safety

Refer to the applicable Material Safety Data Sheet (MSDS) for additional information. Please do not hesitate to contact Eva-last should you require any additional assistance.

Please see **Appendix D** for a Safe Work Procedures (SWP) when working with Apex Plus and other glass fiber reinforced products.

Always wear appropriate Personal Protective Equipment (PPE) for the various activities involved in installing a decking system. This includes, but is not limited to, equipment such as safety glasses, helmets (where necessary), gloves and boots, masks when cutting or similar, and harness systems when working at heights or similar, as dictated by the local occupational health and safety legislation.

Be mindful of the following:

- Ensure to comply with the local occupational health and safety legislation.
- Cut boards may have sharp edges (particularly mitered cuts).
- Ensure any parties are aware of the above when handling and installing this material, in the vicinity where this is required, or as users of the installed product.
- Cutting (and similar processing activities) of Apex Plus can produce fine particulate matter that contains glass fibers, as a result:
 - Work in well-ventilated areas.
 - Use tools with vacuum attachments.
 - Avoid contact where possible with dust that contains glass fibers as the material may cause skin and eye irritation.
 - Wear safety goggles that provide an adequate seal around the eyes when disposing and processing the material, particularly during cutting.
 - Wear gloves, long sleeved shirts, long trousers, and/or overalls during disposal and processing of the material, particularly during cutting. Where possible or necessary, seal shirt and trouser cuffs.
 - Wear suitable masks when disposing and processing the material, particularly during cutting. Use masks with adequate seals around the nose and mouth. Use mask with respirators and appropriate filters, especially if regularly exposed to dust of this nature.
 - After exposure to dust of this nature, wash with soap and running water. In addition, wash any equipment and clothing separately.
 - Do not rub affected areas that feel irritated. Instead, wash these areas with soap and running water. Contact an appropriate medical professional for further advice and/or when experiencing any symptoms related to exposure.
 - Clean workspace thoroughly. Wet-wipe, mop or vacuum surfaces. Do not dry sweep as this can disperse the dust. Use of drop sheets may assist.
 - Do not eat, drink or smoke when using this product. Always wash hands after handling the product.
 - Store and dispose of off-cuts, dust and/or contaminated materials appropriately.

2.3 Storage and handling

Note the following:

- Individual boards are lighter than typical Wood-Plastic Composites (WPC) and can be more easily handled. Boards are, however, bundled for convenience which can be heavy. Take care when lifting, placing on to, or removing from raised pallets. More than one person may be required for lifting depending on the length of the boards and the number of boards. Ensure the mass handled does not exceed safe limits as defined by applicable local legislation.

- When handling lengths of boards greater than 4 m, ensure both ends are lifted simultaneously and evenly. Hold the boards 1 m from each end to provide better control.
- Handle the boards carefully. Dropping the boards (and all high impact loads in general) can result in damage to the profiles.
- During transportation use corner protectors where strapping is required.
- All components should be stored completely under cover.
- When storing boards, a pallet or flat surface should be used to support the full length of each component.
- All components should be securely stored.
- No component should sit in water or similar.
- Avoid over-stacking and/or eccentric stacking.
- Keep boards strapped until they are needed for installation.
- Avoid cutting boards until they are needed for installation.

2.4 Planning and site preparation

- Consult an appropriately qualified professional whenever necessary to ensure the product, this document and the intended application complies with all applicable legislation for that region.
- Assess the environment of the site and ensure the product is suitable for the intended application.
- Identify aspects such as the corrosion category, loading class, etc. of the site and project that may influence the selection of the products or the application thereof.
- Decking at certain heights will require railing. Refer to the local legislation, or consult a suitably qualified professional, for guidance as to at what height this is required at and the railing requirements thereof.
- Determine appropriate spans for the selected material technology and profile. This will depend on the application as well as the loading class as defined by the local legislation. Suggested spans are provided for typical residential scenarios (refer to **section 4**).
- Develop a maintenance plan to ensure the longevity of the system. This should consider aspects such as drainage, corrosion, vegetation growth, cleaning, etc.
 - With respect to drainage, ensure pooling water and/or erosion below and around the deck footprint is prevented.
 - With respect to corrosion, ensure any exposed metals are coated whilst accessible. In areas of high corrosion classes, add additional coating layers and regularly check for signs of corrosion.
 - With respect to vegetation below the deck footprint, ensure all vegetation has been removed prior to installing the deck. Install a suitable geotextile or plastic membrane to prevent further regrowth. Ensure the geotextile/membrane is fixed in place and protected from weathering.

3. Cutting and fastening

IMPORTANT: As detailed in section 2.2, processing of Apex Plus can produce fine particulate matter that contains glass fibers. Implement appropriate occupational health and safety guidelines and/or work procedures.

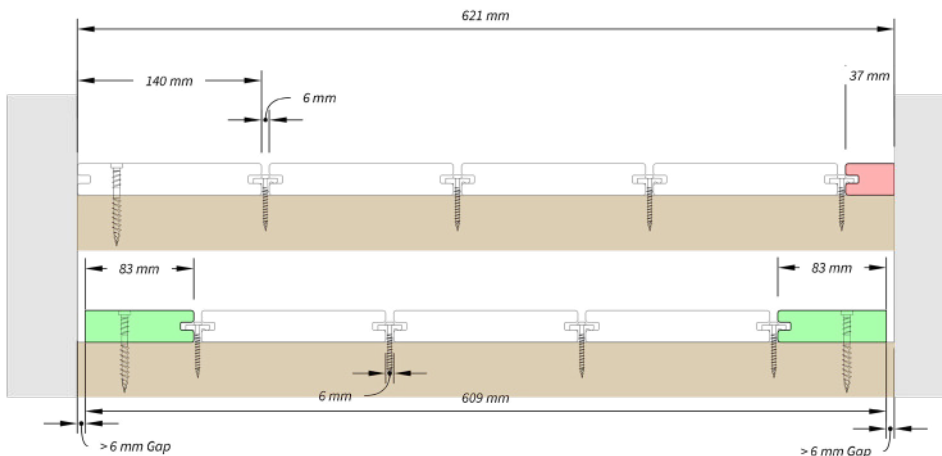
3.1 Cross cutting

- Please ensure that the appropriate PPE and safety precautions are adhered to whilst cutting Apex Plus material.
- Use a fine toothed, carbide tipped blade to cut Apex Plus material.
- Use an 80-tooth or finer, 260 mm diameter, cross-cut blade.
- Apex Plus boards are provided as factory cut. Ends should be trimmed to carpentry cut.
- Boards can be mitred, angles less than 30° are to be avoided.
- Do not router Apex Plus boards.
- Avoid cutting boards until they are needed for installation.
- Cut edges may expose loose strands of glass fiber that can be removed and disposed of with a sharp blade in accordance with Section 2.2. Health and safety guidelines.

3.2 Ripping

- For best results when ripping composite boards use a table saw or ripping jig.
- Cutting boards will expose the foamed core of the board. Plan the board layout/install appropriately to limit the visibility of these edges so as not to negatively impact the aesthetics of the install.
- Do not rip boards thinner than 60 mm for grooved boards or 90 mm for square edged boards.
- In the case where it would be necessary to cut a board to less than 60 mm wide, rip both the first and last board of the deck footprint to balance the required widths instead. Refer to below diagram for guidance.

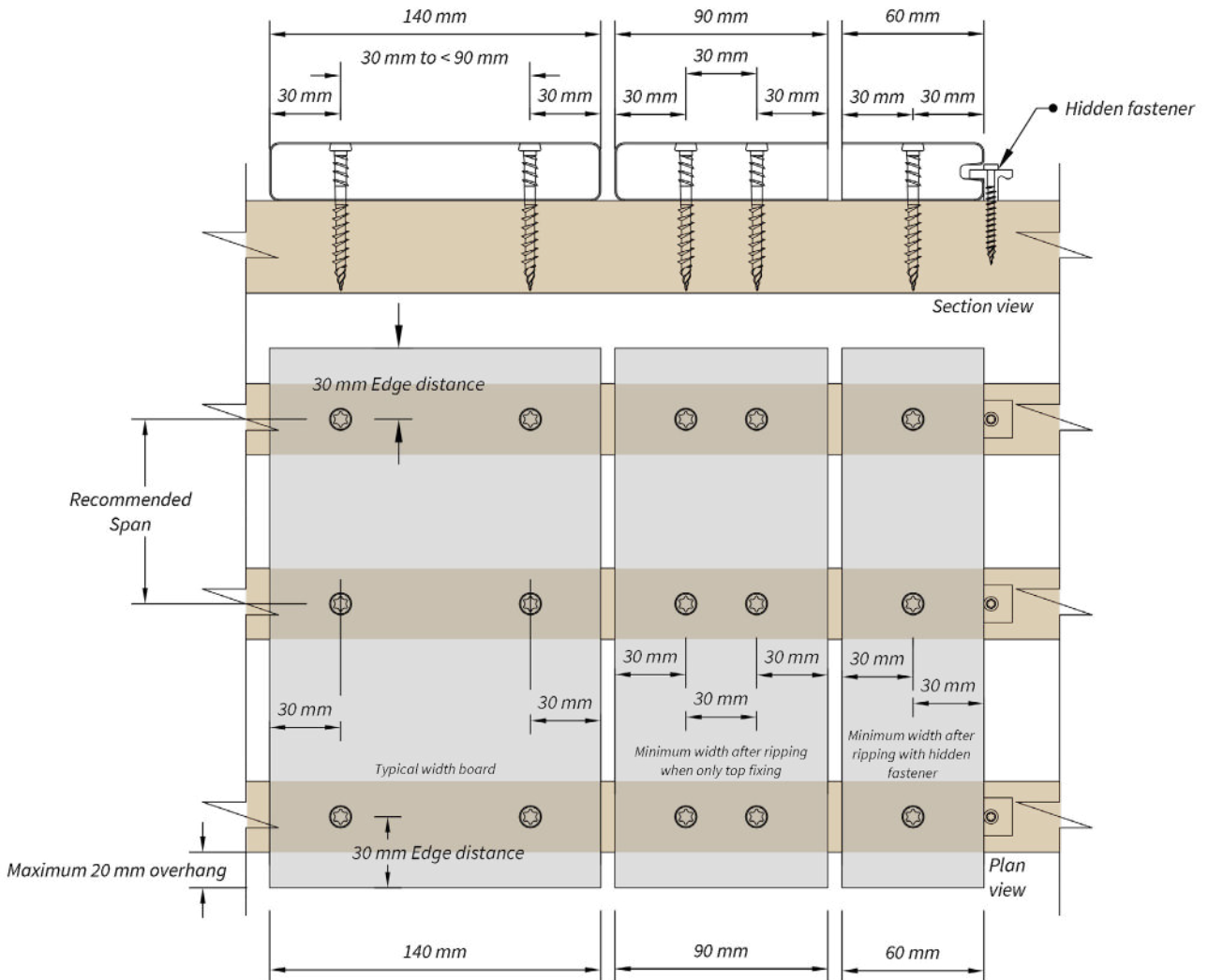
The following illustration outlines typical installation principles for ripping a deck board, which can be used for boards of any size. By following the above principles, you can ensure a successful installation.



3.3 Top fixing

- When top fixing boards, fasten the boards 30 mm from any edge of the board.
- When top fixing boards, adjacent screws should be at least 30 mm apart.
- Fasten at every joist and use a minimum of two fasteners per joist to board connection.
- Maintain a clip fastening distance of between 10 mm (minimum) and 20 mm (maximum) from the end of the board.
- Pre-drill composite in temperatures below 5°C, pre-drilling hole sizes should be equal to the minor diameter of the screw.
- Do not use nails to fasten Apex plus boards.
- Use high quality fasteners suitable for the life span of the deck and the atmospheric conditions of the site. Consider the corrosion category of the site relative to the corrosion protection offered by the fastener. Consult with a suitably qualified professional where necessary. Feel free to also contact a member of Eva-Last® for further assistance.
- A drill with adjustable torque settings is recommended. Set the torque settings to less than 30 % of the maximum allowable torque of the driver. Do not over drive the screw. Do not use an impact driver.

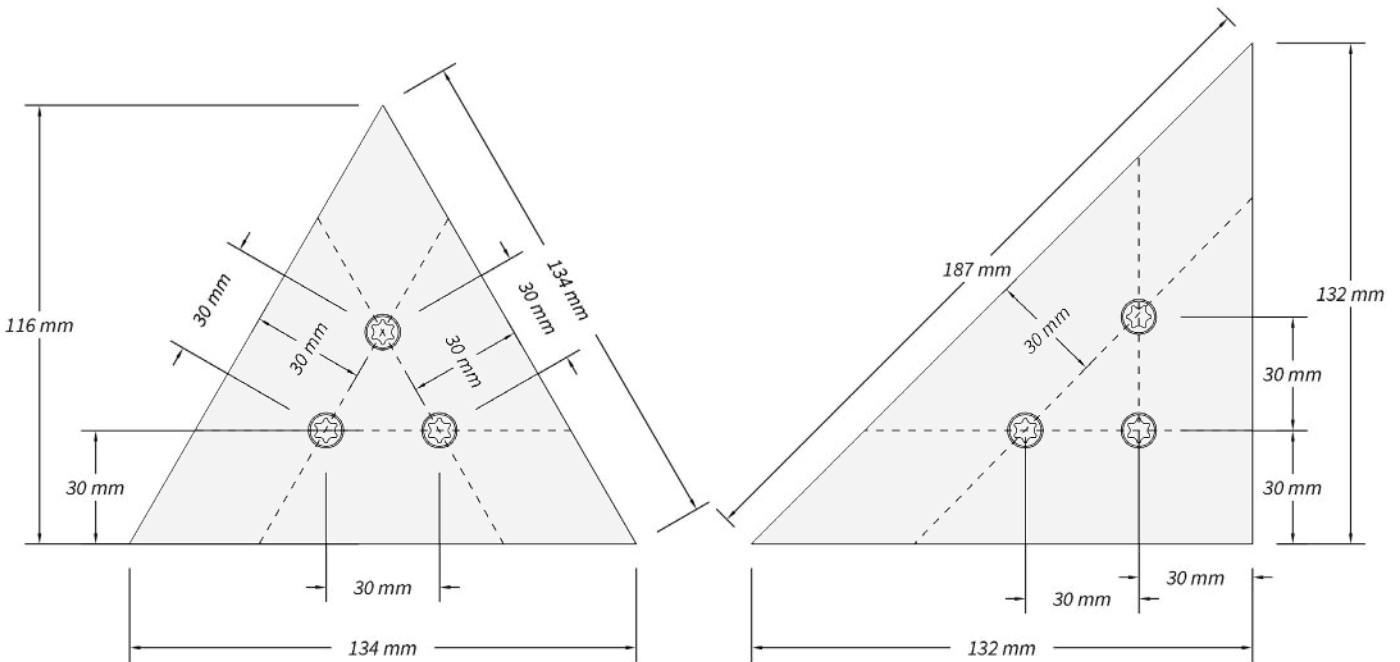
The following illustrations outline typical fastening principles for a top fixing application on the minimum ripped profile size as related to the recommended fastening edge distances, which can be implemented for profiles of any size.



3.4 Cutting and fastening triangular pieces

- Where deck boards are cut to odd shapes, additional fasteners may be required.
- All three edges of a triangular piece should be supported. All three corners of a triangular piece should be fastened.
- Spacing between fasteners should be at least 30 mm apart and must maintain 30 mm from any edge.
- Geometry of triangular pieces are limited by the fastening and edge distance. Below infographics provide an indication of minimum allowable sizes of different theoretical triangular pieces.

The following illustrations outline typical fastening principles for small triangular deck pieces, which can be used for profiles of any size.



3.5. Cutting length

Before boards are laid, the final cut length of a board must take into consideration the possible changes in length of the board due to thermal expansion and contraction. Appropriate expansion gaps must always be maintained between boards and/or between boards and other obstacles for full warranty coverage.

3.5.1 Fundamentals of expansion and contraction

- The expansion, and contraction, of a board is influenced by:
 - The material of the board,
 - The length of the board, and
 - The change in temperature the board experiences relative to the temperature of the board at installation.
 - The linear coefficient of expansion for the Apex Plus material technology is up to $40 \text{ mm} \times 10^{-6} \text{ mm/m/}^\circ\text{C}$. This means that a board of this material can expand, and contract, up to 0.04 millimetres per meter length, per degree change in temperature.
 - To estimate an appropriate expansion gap (ΔL) per board, multiply the length of the board (L) by a coefficient of 0.04 (α) and by the maximum difference in temperature between the installation temperature and the possible temperature of the boards (ΔT):

$$\Delta L = L \times \alpha \times \Delta T$$

- The temperature change of the board will be influenced by the colour of the board. Darker board colours will result in board temperatures higher than the ambient temperature of the site.
- A summary matrix of expansion gaps for different temperature and length conditions is captured in **Appendix C** for convenience.

3.5.2 Installation best practice for boards that expand and contract

- Allow boards to acclimatise on site before installation so that the movement of the boards across the installation is more uniform.
- Uniform board movement, similar board lengths, and consistent installation temperatures can make planning for expansion gaps easier.
- Care must be taken in environments susceptible to large fluctuations in temperature which will effect board expansion and contraction. In addition to sites with extreme ranges of temperature, this can include areas with large reflective surfaces, such as metal and glass, from rooves, facades, windows, doors, etc.
- For sites with extreme temperature ranges, lighter board colours are advised to help mitigate against large board movements.
- Use breaker boards between boards that are installed end-to-end, and/or boarder boards around the perimeter of an installation, to assist in controlling expansion and contraction.
- Use shorter board lengths to reduce the size of expansion and contraction gaps.
- For sites with extreme temperature ranges, longitudinal boards can be cut in half and multiple breaker boards installed at butt joints.
- A gap between parallel boards must be maintained at between 5.8 mm and 6.5 mm, irrespective of the type of fixing used. The same sized gap should be utilised between boards and any other obstruction. These spaces will allow for expansion and contraction as well as assist with drainage, ventilation, and the removal of debris.
- When using hidden fasteners at sites with extreme temperature ranges, additional top fixers can be installed at the joist closest to the mid-point of the board. This pins the board at the centre, allowing equal expansion in both directions of the board.
- Fixing (both hidden and visible) at every joist can be utilised to further limit expansion and contraction. In these scenarios, it is important to fix the board twice at every joist.
- When aesthetically suitable, skirting boards, cladding, facades, and similar can be installed at intersections between walls and deck boards to help hide gaps.
- Unobstructed clearance between the ground and a deck can assist with ventilation which can help moderate temperature fluctuations.
- Check maximum expected contraction of a board to ensure large gaps do not develop at low temperatures.

3.5.3 Determining expansion and contraction gaps

Below is a set of steps to assist with estimating the size of the required expansion gaps for an installation. It is necessary to install deck boards with appropriate expansion gaps to avoid negative impacts on adjacent boards.

These steps can be replicated to estimate the potential maximum contraction of a board. This is done using an estimated 'minimum board temperature' in place of the estimated 'maximum board temperature' in Steps 1 and 4. Estimating the contraction is useful in establishing what the maximum gap between boards may be at low temperatures, and whether this will be acceptable to the client. In addition, gaps greater than 20 mm can result in exposure of fasteners and underlying substructure.

1. Estimate the historical maximum (or minimum) site temperatures. Use this to estimate anticipated board temperatures, making allowances for increased surface temperatures due to board colour and/or additional exposure to temperature/sunlight. Darker coloured boards can get up to 15°C hotter than the ambient temperature. Site conditions such as reflective surfaces can further increase this estimate. For sites with anticipated high temperature ranges, it is advisable to use lighter coloured boards. **[Maximum (or minimum) board temperatures]**
2. Estimate, or measure, current install temperature of the boards, making the same allowances as above where applicable. This may have to be repeated for large sites where the installation time can extend over several hours or days. **[Install board temperature]**
3. Based off the planned deck layout, determine the required board length. This will naturally have to be repeated for layouts where multiple board lengths are required. **[Board length]**
4. To estimate the **change in board length (ΔL)**, multiply the **board length (L)** by a coefficient of 0.04 (**α**) and by the difference in temperature between the **install board temperature** and the **maximum (or minimum) board temperatures (ΔT)**: **$\Delta L = L \times \alpha \times \Delta T$**

Where $\Delta T = \text{Maximum board temperature}$ minus **install board temperature** or $\Delta T = \text{Install board temperature}$ minus **minimum board temperature**
 This is the possible increase in board length if the board were to experience the estimated maximum board temperature. It is also equivalent to the **expansion gap required** at the time of installation. This is shared at both ends of the board.
 Or this is the expected **maximum contraction gap** if the board were to experience the estimated minimum board temperature. This is shared at both ends of the board.

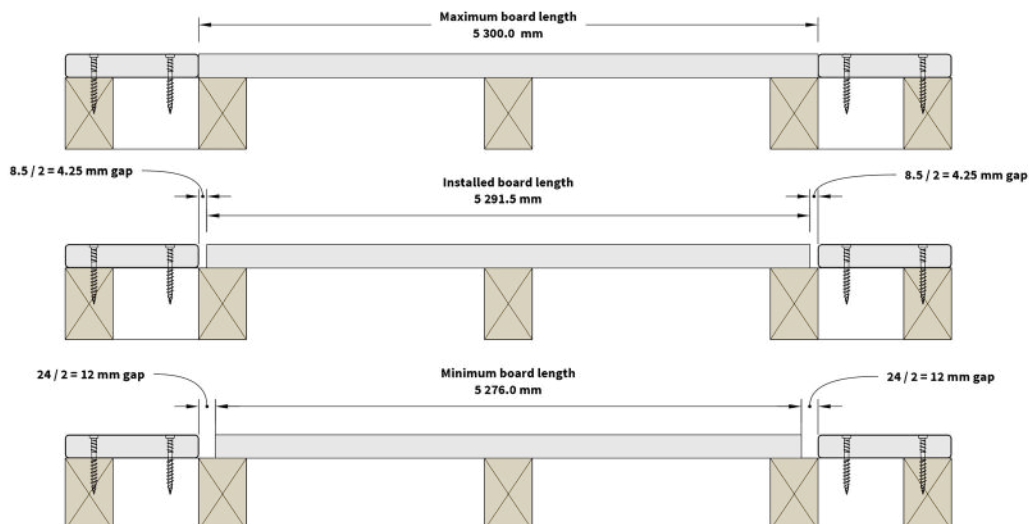
- Determine the length to which the supplied boards should be cut to satisfy the required board length and the required expansion gap. **[Final board length]**

Below is an example of implementing the above steps for a deck in Bloemfontein, South Africa. The intended colour of the boards will be one of the darker colours. The deck layout results in a typical board length of 5 300 mm with no boards installed end-to-end (i.e., breaker boards are utilised).

Note that if boards were to be installed end-to-end the expansion/contraction gaps between consecutive boards would double.

Step	Parameter	Apex Plus	Unit	Note
1	Linear coefficient of expansion	0.00004	mm/m/°C	
	Maximum historical site temperature	40.0	°C	Data from online search.
	Estimated maximum board temperature	55.0	°C	15°C added for a darker board.
	Minimum historical site temperature	-10.0	°C	Data from online search.
	Estimated minimum board temperature	-10.0	°C	
2	Install board temperature	32.0	°C	Measured from the board on site.
3	Board length	5 300.0	mm	Based on site layout.
4	Positive change in board length ($L \times \alpha \times \Delta T$)	4.9	mm	Maximum board temperature less install temperature.
	Total expansion gap required	4.9	mm	
	Expansion gap required at either board end	2.4	mm	Half total expansion gap required. Rounded up.
5	Negative change in board length ($L \times \alpha \times \Delta T$)	8.9	mm	Install temperature less minimum board temperature. Rounded down.
	Potential total maximum contraction gap	13.8	mm	Expansion gap plus negative change in board length. Rounded down.
	Potential contraction gap at either end	6.9	mm	Half total potential contraction gap. Rounded down.
6	Final board length	5 295.1	mm	Board length minus total expansion gap required.

The following illustrations outline typical expansion principles, of boards at their different lengths in relation to maximum, minimum and ambient temperature.



4. Planning and installation

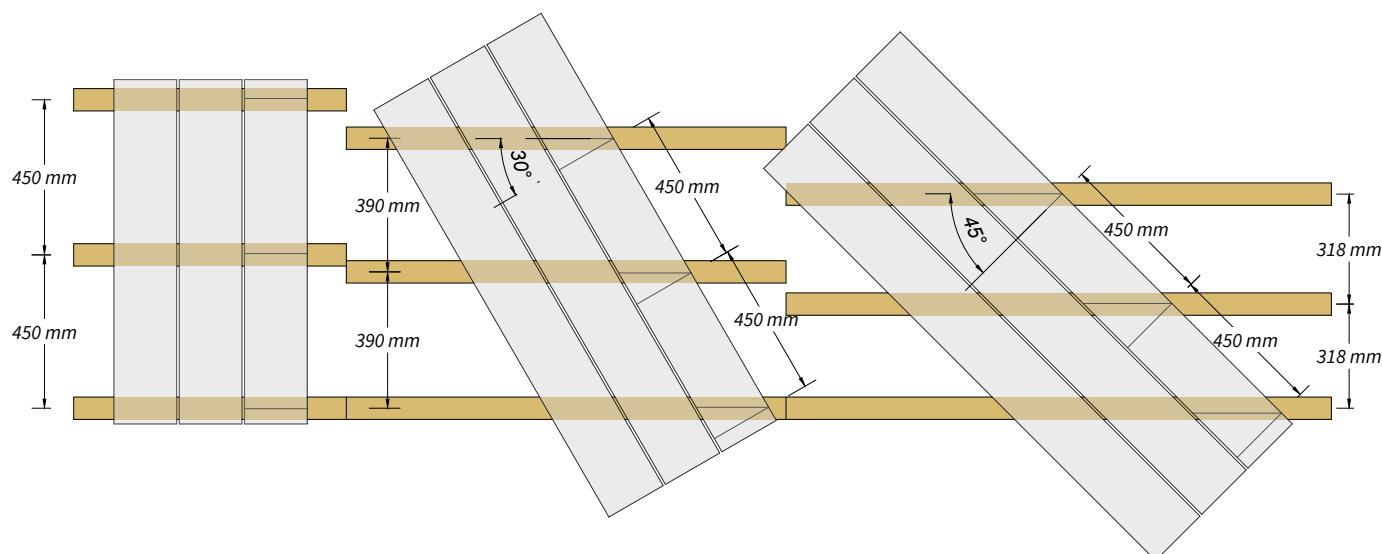
4.1 Substructure planning and installation

Below are guidelines to consider during the planning and installation of deck substructure:

- Ensure the substructure members are appropriately sized. Ensure the installation thereof is sound and level. Consult an appropriately qualified professional wherever necessary.
- Use appropriate spans. Use appropriate spans. The maximum centre-to-centre span for the 140 mm wide Apex Plus profile is 450 mm. These spans are suitable for residential applications and most other applications. Consult an appropriately qualified professional for spans above this maximum, or where ultimate load cases are greater than 4 kPa and/or serviceability load cases are greater than 2 kPa (based on a serviceability limit of 2.5 mm).
- Where boards are not installed perpendicularly to joists, the joist spacing must be modified to ensure that the board spans do not exceed the specified span for Apex Plus. See below table and figure for explanation thereof:

Typical spans		Resultant span (mm) at different board angles			
		30°		45°	
		mm	Inches (")	mm	Inches (")
450 mm	18"	390	15.5	318	12.5

The following illustration outline the typical principles of adjusting spans in relation to board angles as they change across supports.



- Support boards along all cut edges.
- Use double joists at all butt joints so that both board edges are fully supported.
- Use noggins between joists where breaker boards are used. The spans between noggins must not be greater than the maximum centre-to-centre span of Apex Plus.
- Do not overhang boards by more than 20 mm from a support edge.
- Allow for clearance between the ground and deck, and between the deck and other potential obstructions, such as doors opening out over the deck.
- Allow for drainage and water control. Consult a suitably qualified professional if required.
- Allow for railing where necessary. Consult a suitably qualified professional if required.

4.2 Decking planning and installation

Below are guidelines to consider during the planning and installation of decking:

- The layout of a deck is often dictated by existing geometrical constraints on site. Best practice involves optimisation between the standard dimensions and constraints of the deck boards supplied with the desired aesthetics of the layout.
- Attempt to keep layouts symmetrical. As a result, where it is necessary to rip boards, rip both the first and last board of the deck footprint equally to balance the required widths. Where possible, avoid ripping boards at all.
- An ideal expansion gap size at maximum contraction would be 6 mm to match that of the typical gap between boards installed parallel to each other.
- Use breaker boards and boarder boards to provide an aesthetically pleasing finish whilst assisting in controlling expansion and contraction.
- Use multiple combinations of shorter boards with breaker boards to balance long runs against expansion and contraction limitations.
- Butt joints can be installed so they align or are staggered. Both options have advantages and limitations with respect to aesthetics and installation practicality.
- Consider the orientation of the boards relative to typical foot traffic direction as well as the site layout. Typical approaches are to install deck boards parallel with the longest dimension of the site layout. In areas where better slip resistance is required, most composite textures have better slip resistance with the boards orientated perpendicular to common foot traffic direction. In general, Apex Plus deck boards have good slip resistance characteristics in all board orientations (please refer to the Apex Plus TDS for further information). Additionally, consider the length of the available space in relation to the lengths and widths of the boards available. In some cases, certain orientations can be very efficient from a material perspective. Finally, consider existing obstructions and their straightness, it is easier to cut board ends than it is to rip along board lengths to match uneven surfaces such as poorly built walls, flower beds, etc.

4.3 Decking planning and installation

Below is a brief set of steps to assist with optimising a layout so that the site and environmental influences, client requirements, and material impacts are taken into consideration.

- 1. Layout and environment:** Determine site layout/footprint and establish any critical environmental parameters that may influence the installation or performance of the installation. Particular aspects to consider include extreme temperature ranges, high corrosion classes, large catchment areas, steep slopes, etc.
- 2. Optimisation:** Optimise deck layout relative to the site layout and the deck board dimensions. Incorporate allowances for the established critical environmental aspects in Step 1. Cater for additional factors that may influence the layout such as expansion and contraction, preferred aesthetics, foot traffic, existing obstructions, clearances, railing, etc. This step may take several iterations. Establish the primary board orientation first, then incorporate supporting elements, such as breaker boards, perimeter boards, etc. where necessary. Once finalised, the quantity of deck boards can be determined.
- 3. Substructure, fasteners and ancillaries:** With a layout finalised, the substructure can be outlined based on the required supports and spans. Aspects such as supports for railing, pergolas, etc. must be allowed for at this stage. Once established, the deck board and substructure layout will allow the type and number of fasteners required to be calculated. Ancillary items such as railing, pergola etc. parts, can then be quantified.

The digram on page 13, below, is an example that lays out the implementation of the steps suggested above. The same example deck discussed in **section 3** is incorporated.



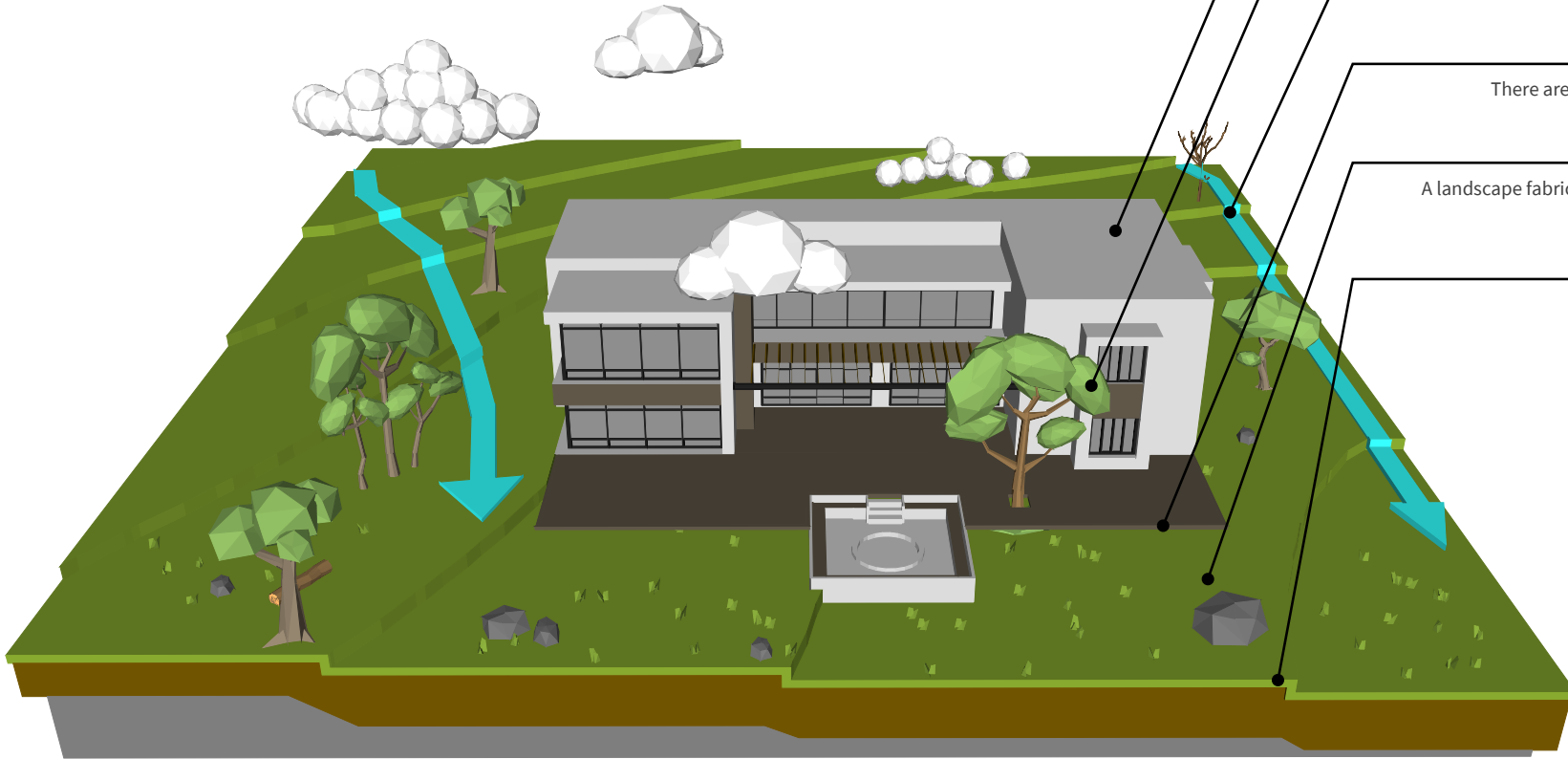
LOCATION AND MACRO ENVIRONMENTS

Bloemfontien is located on the southern edge of the South African highveld with record temperatures ranging between **40 °C and -10 °C**, while falling under a typical **C3 Class (moderate) atmospheric corrosion category** with low salinity and only moderate pollution.



SITE ASSESSMENT OF THE MICRO ENVIRONMENT

A site assessment provided more **specific details surrounding the building site and its environment**



PROPERTY TYPE

Residential

EXISTING FEATURES

An existing recessed Fire pit 450 mm drop.

HYDROLOGICAL

The deck requires no further intervention as water flows away from the deck to natural water catchment areas.

UTILITIES

There are no utilities running across the footprint of the deck.

VEGETATION

A landscape fabric or plastic sheet should be applied beneath the deck to prevent vegetative growth beneath the deck.

TOPOGRAPHICAL

The ground has 2° slope resulting in a 900 mm drop from the final required floor height.

CUSTOMER PREFERENCES

The client has specified **Apex Plus decking** in the **Brazilian teak (dark brown) colour**, with the boards **running perpendicularly away from the building**.

Apex PLUS



Board

Grooved deck board

Colour

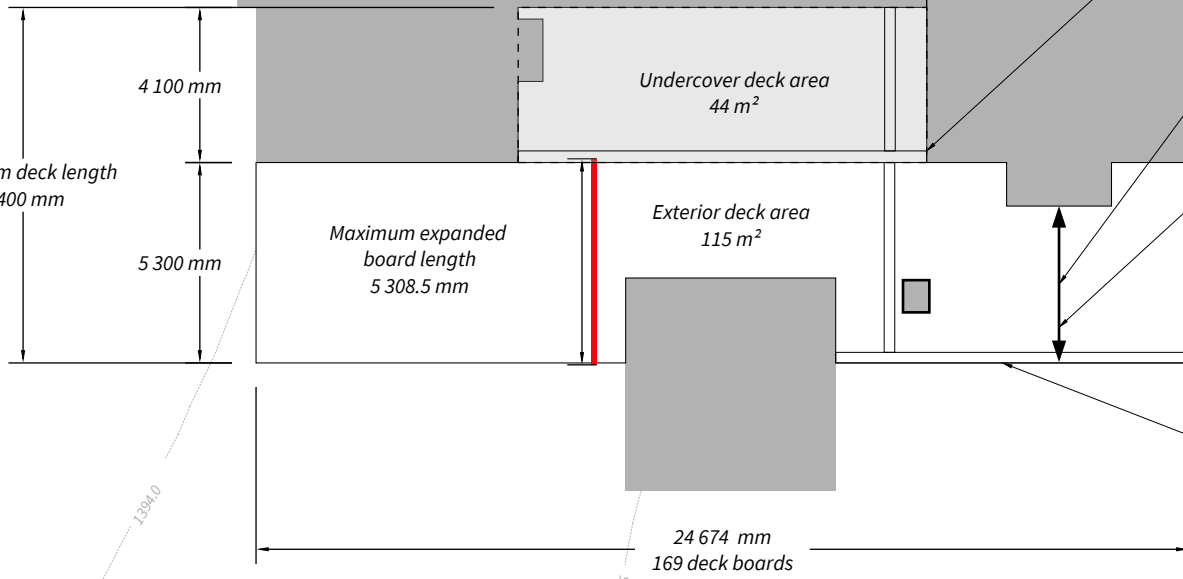
Brazilian teak (Dark brown)

DECK ASSESSMENT

A appropriately qualified professional has specified the structure and fastener combination to meet the environmental and loading requirements for the deck. In this example the professional has specified a galvanised steel frame and composite to steel deck fastener, specific to this site. The footprint of the deck has been assessed in relation to the dimensions of the specified deck board.

As boards are 5 450 m lengths, Two boards will be required to cover this length

Maximum deck length 9 400 mm



BOARD WIDTHS AND GAPS

Before laying boards, consider the cover width of a deck board (board width plus fastener gap), particularly in enclosed areas .

BREAKER BOARD AND BOARD LENGTH

The deck is 9 400 mm long while deck boards are a maximum of 5 450 mm, requiring a join at some point. A breaker board can be used to control expansion gaps.

BOARD DIRECTION

The laying direction has been specified.

SLIP RESISTANCE

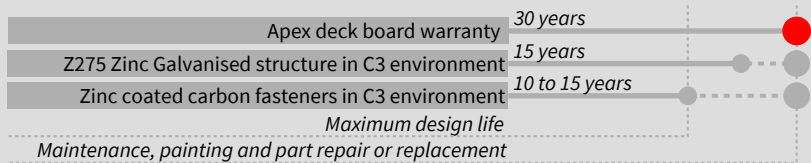
Board laying direction and finish have an impact on slip resistance. See the TDS for Slip resistance information.

RIM BOARDS

Starter boards and breaker boards can be used to finish and hide the deck edge.

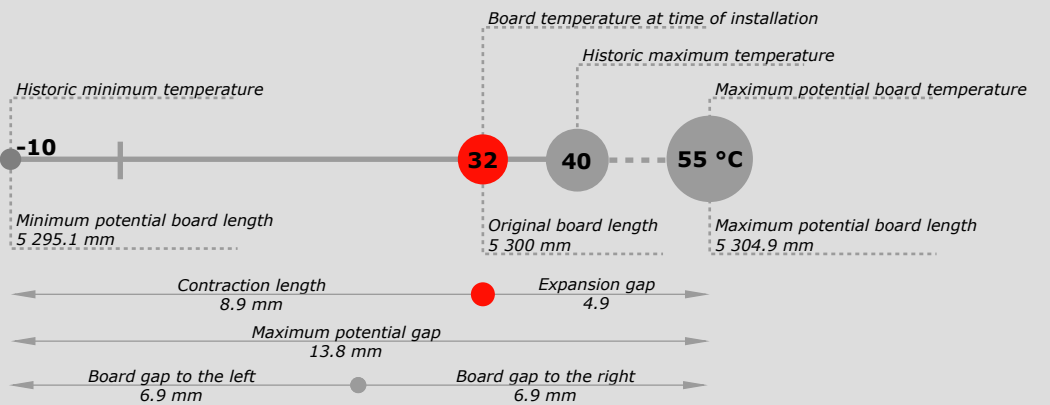
LIFESPAN DESIGN

The design life of a deck system requires balancing the lifespans of the individual components, to the part with the lowest life span. The system life expectancy can be extended with proactive maintenance, painting, and replacing parts once the part expires.



EXPANSION GAP CALCULATION

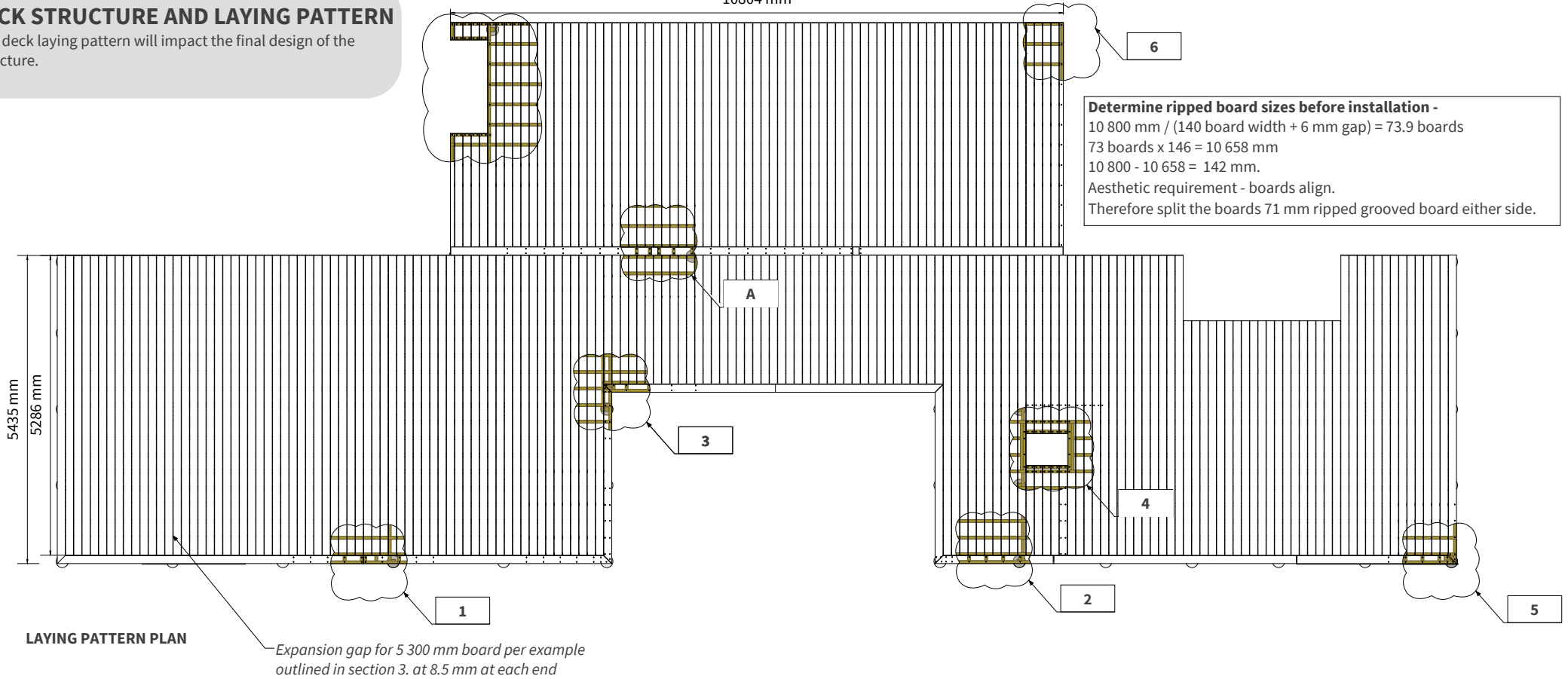
The final cut length of a board must take into consideration the possible changes in length of the board due to thermal expansion and contraction. The below infographic provides a summary of the example provided in section 3.5.2. as applied to the above deck example.



DECK STRUCTURE AND LAYING PATTERN

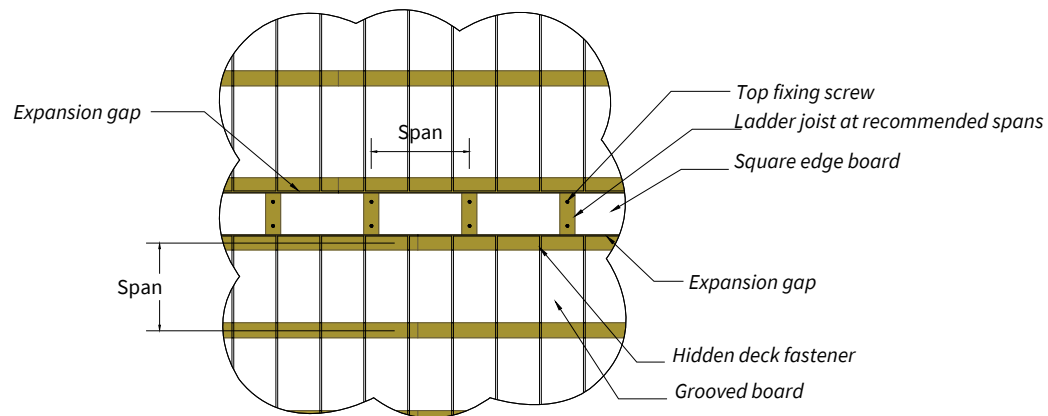
The deck laying pattern will impact the final design of the structure.

10804 mm



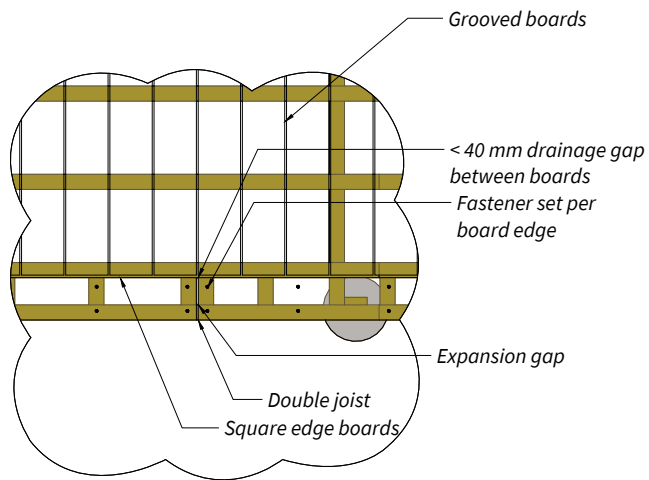
LAYING PATTERN PLAN

Expansion gap for 5 300 mm board per example outlined in section 3, at 8.5 mm at each end

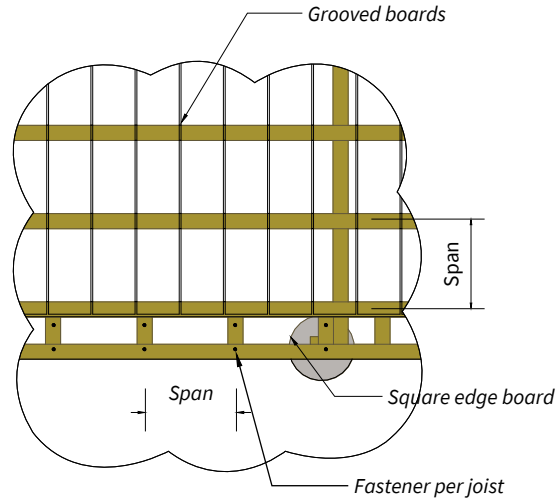


A Breaker board detail

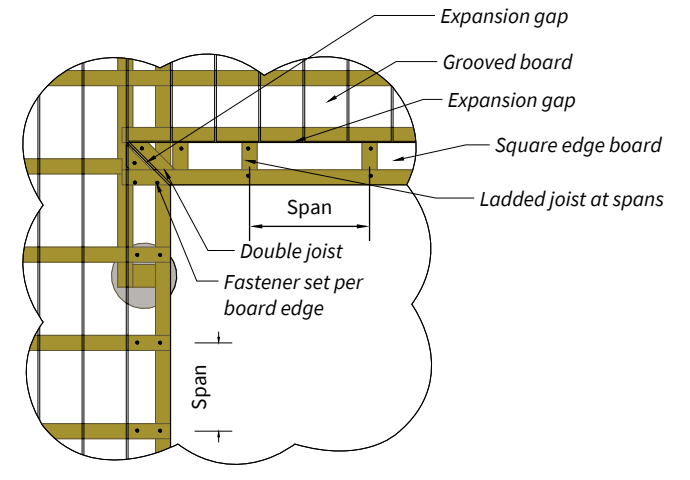
Deck schedule			
Profile	Size	Board length	Profile
Square edge	140 x 24 mm	5 450 mm	
Grooved	140 x 24 mm	5 450 mm	



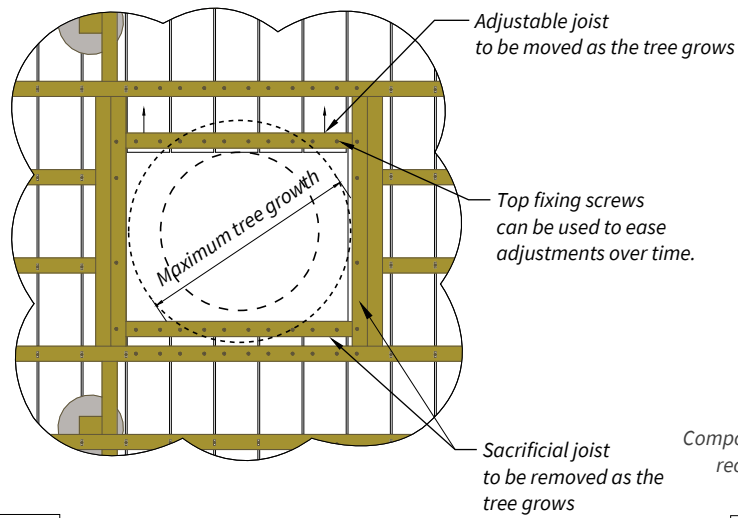
1 Double joist on abutting boards



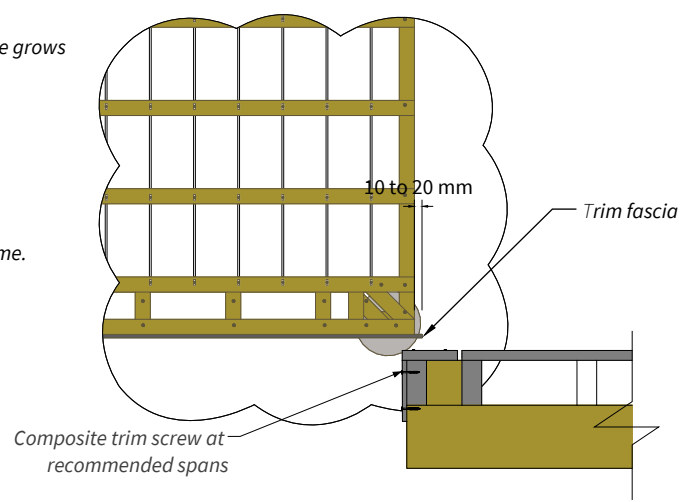
2 Ladder joist for breaker boards



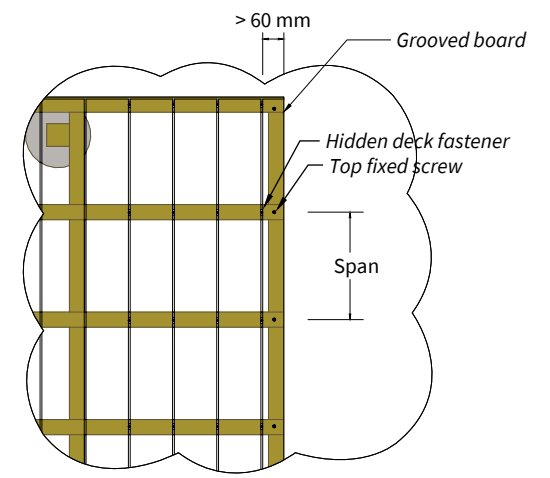
3 Mitre join detail on breaker boards



4 Board support around a tree



5 Trim detail



6 Ripped board detail

5. Disclaimer and copyright

5.1 Document disclaimer

The provided information is offered in good faith as accurate but without guarantee. Eva-Last makes no warranties or representations of any kind (express or implied) about the accuracy, adequacy, currency, or completeness of the information, or that it is necessarily suitable for the intended use.

Compliance with this document does not guarantee immunity from breach of any statutory requirements, building codes or relevant standards. The final responsibility for the correct design and specification rests with the designer and, for its satisfactory execution, with the contractor. Appropriate warnings and safe handling procedures should be provided to handlers and users.

While most data have been compiled from research, case histories, experience and testing, small changes in the environment can produce marked differences in performance. The decision to use a material, and in what manner, is made at your own risk. The use of a material and method may therefore need to be modified to its intended end use and environment.

Eva-Last, its directors, officers or employees shall not be responsible for any direct, indirect, or special loss or damage arising from, or as a consequence of, use of, or reliance upon, any information contained in this document or other documents referenced herein. Eva-Last expressly disclaims any liability which is based on or arises out of the information or any errors, omissions or misstatements herein.

5.2 Drawing disclaimer

All dimensions and specifications are offered in good faith as accurate but without guarantee. The information captured herein may not contain complete details. Eva-Last makes no warranties or representations of any kind (express or implied) about the accuracy, adequacy, currency, or completeness of the information, or that it is necessarily suitable for the intended use.

Compliance with this document does not guarantee immunity from breach of any statutory requirements, building codes or relevant standards. The final responsibility for the correct design and specification rests with the designer and, for its satisfactory execution, with the contractor.

5.3 Utilisation disclaimer

Legislation may differ between jurisdictions. Before installing any Eva-Last product, ensure that the application is rational and complies with the local regulations and building codes. Wherever necessary, consult a suitably qualified professional. Be sure to comply with material manufacturer specifications. Where manufacturers and building codes differ, revert to the building code requirements. Check that your choice of product is suitable for its intended application. For further product specification and information visit www.eva-last.com.

5.4 Copyright

If reprinted or reproduced or utilised in any form Eva-Last should be acknowledged as the source of the information.

Eva-Last periodically updates the information contained in this document as well as that of the Eva Last documents that have been referenced herein. Before using this document, please refer to the Eva-Last website (www.eva-last.com) for the most up-to-date documents.

Contact information

Eva-Last

Room 1203, 12/F Tower 333 Canton Road, Tsimshatsui, Hong Kong, China

Emergency Contact: +86 021 53397986

Product information: +27 10 593 9220

Email: info@eva-last.com

Website: www.eva-last.com

Appendix A

Profiles and compatible fasteners

See TDS for additional information where required.

A.1 Apex Plus profile family

Below is a summary of profiles available in the Apex Plus material technology.

Code	Cap	Description	Width (mm)	Depth (mm)	Common lengths (mm)	Coverage* (m/m ²)	Mass per meter (kg/m)	Mass per square meter (kg/m)
STTHMZQ128	Apex Plus	Grooved deck board	144.9	21.0	5 800	6.6	2.2	14.6
					5 450			
					4 800			
STTHMZQ102	Apex Plus	Square edge board	140.0	24.4	5 800	6.8	2.6	17.53
					5 450			
					4 800			
STTHMZQ103	Apex Plus	Grooved deck board	140.0	24.0	5 800	6.8	2.5	16.61
					5 450			
					4 800			
STTHMZQ116	Apex Plus	Grooved deck board	190.0	24.0	5 700	3.5	5.1	17.86
					5 450			
					4 800			
STTHMZQ123	Apex Plus	Square edge board	190.0	24.0	5 700	3.6	5.1	18.27
					5 450			
					4 800			
STTHM106	Apex	Fascia board	150	12	4 800	6.4	1.4	8.6
STTHM111	Apex	Fascia board	184	14	2 200	5.3	1.9	10.2
STTHM112	Apex	Fascia board	285	16	2 200	3.4	3.4	11.6

* Coverage includes a gap between boards of 6 mm.

A.2 Compatible fasteners

Below is a summary of fasteners available for fixing the Apex Plus family of profiles.

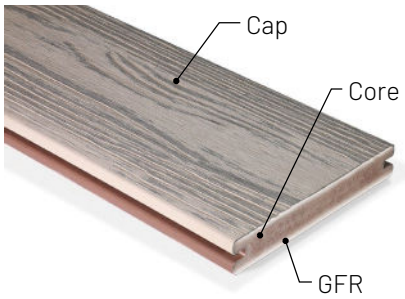
Fastener type	Size (mm)	Length (mm)	Material	Note
S6 decking clip	6.0	38	SS 430	Compatible with boards that have a 6 mm groove height.
S9 decking clip	9.0	38	SS 430	Compatible with boards that have a 9 mm groove height.
Chain Collated decking clip	6.0	19	SS 316 or SS 304	Compatible with boards that have a groove height of between 6 mm and 12 mm. To be used with hand tool.
Clip screw for timber substructure	M 4.2	40	C 1022 SS 316	Compatible with all listed clips. Two corrosion resistance options.
Clip screw for metal substructure	M 4.2	31	C 1022	Compatible with all listed clips.
Top fixing deck screw for timber	M 5.0	63	C 1022 SS 305	For 20 mm to 25 mm thick boards into timber structures greater than 40 mm thick. Two corrosion resistance options.
Top fixing deck screw for metal	M 5.0	45	C 1022	For 20 mm to 25 mm thick boards into metal structures 0.8 mm to 2.0 mm thick.
Top fixing trim screw for timber	M 5.5	48	10 B 21 SS 316	For 11 mm to 16 mm thick boards into timber structures greater than 40 mm thick. Two corrosion resistance options.
Top fixing trim screw for metal	M 5.5	35	10 B 21 SS 410 H	For 11 mm to 18 mm thick boards into metal structures 0.8 mm to 2.0 mm thick. Two corrosion resistance options.

Appropriate fasteners must be employed relative to applicable legislation, the intended application, and the conditions present. Particular attention should be paid to the corrosion conditions of the site and the state of the substrate available. Applications should adhere to any applicable standards. All timber profiles should be treated appropriately, and all metal profiles should be coated appropriately. Movement of materials within the system can degrade connections over time, and it is prudent that this is avoided or reduced to an acceptable limit where possible. Coatings can degrade over time and regular, proactive maintenance should be employed.

Appendix B
Installation

Profile properties

Product code	STTHMZQ128
Sectional area (mm ²)	2 932
Approximate mass (kg/m)	2.2



Sectional properties in typical orientation

I _x (mm ⁴)	110 992
I _y (mm ⁴)	4 790 388
C _x (mm)	72.5
C _y (mm)	10.5
S _x (mm ³)	10 566
S _y (mm ³)	66 120

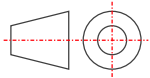
Drawing title

STTHMZQ128 - Grooved deck board - Apex Plus

File name

Apex Plus infographics

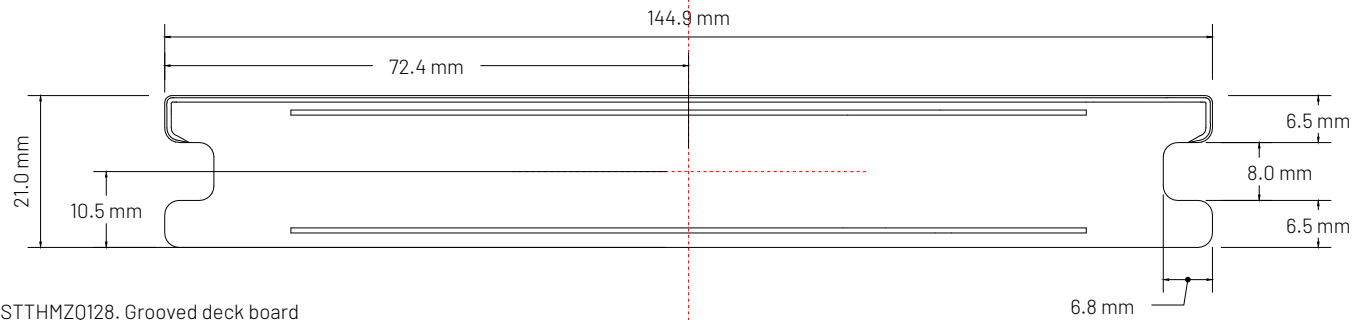
File details



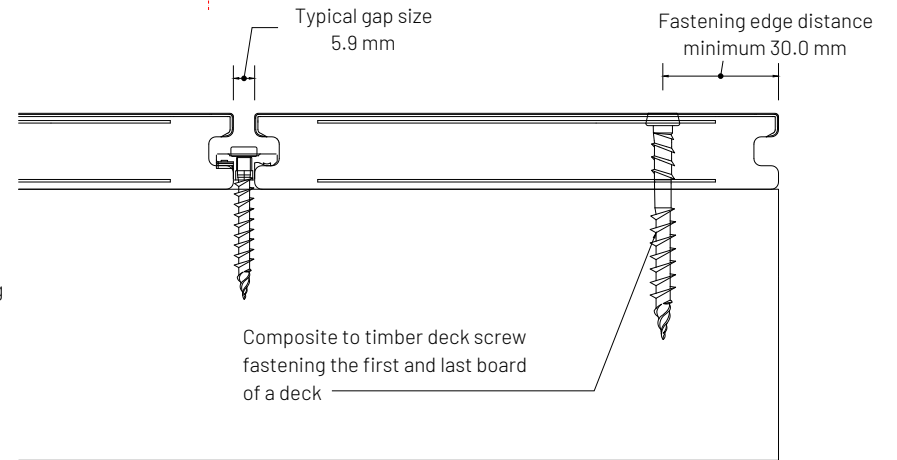
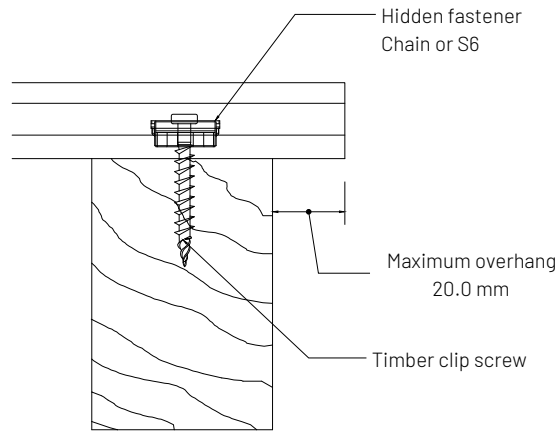
Drawing number	01
Date	January 24, 2023
Page	N/a
Scale	NTS

Unless otherwise specified all dimensions are in millimeters.

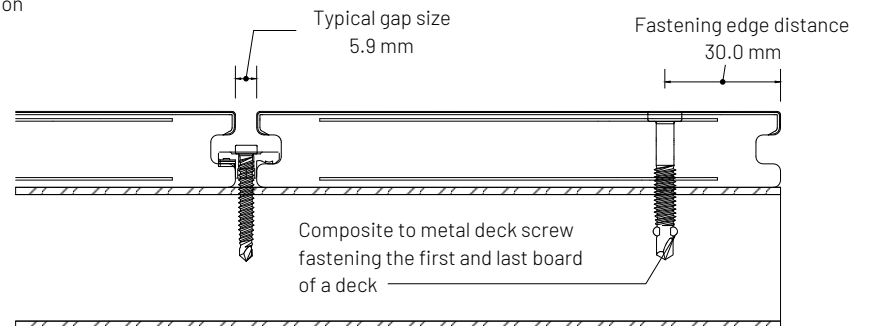
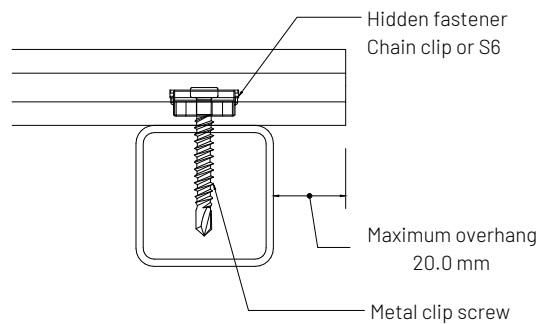
Issued for information. See supporting documentation for disclaimers and details.



A STTHMZQ128. Grooved deck board
Scale 1:1



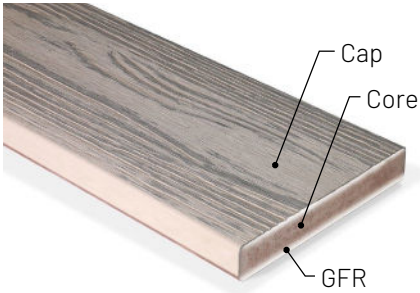
B1 STTHMZQ128. Grooved deck board in a Timber application
Scale 1:2



B2 STTHMZQ128 - Grooved deck board in a metal application
Scale 1:2

Profile properties

Product code	STTHMZQ102
Sectional area (mm ²)	3 412
Approximate mass (kg/m)	2.6



Sectional properties in typical orientation

I_x (mm ⁴)	168 994
I_y (mm ⁴)	5 562 469
C_x (mm)	70.0
C_y (mm)	12.2
S_x (mm ³)	13 852
S_y (mm ³)	79 464

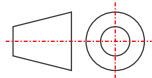
Drawing title

STTHMZQ102 - Square edge deck board - Apex Plus

File name

Apex Plus infographics

File details

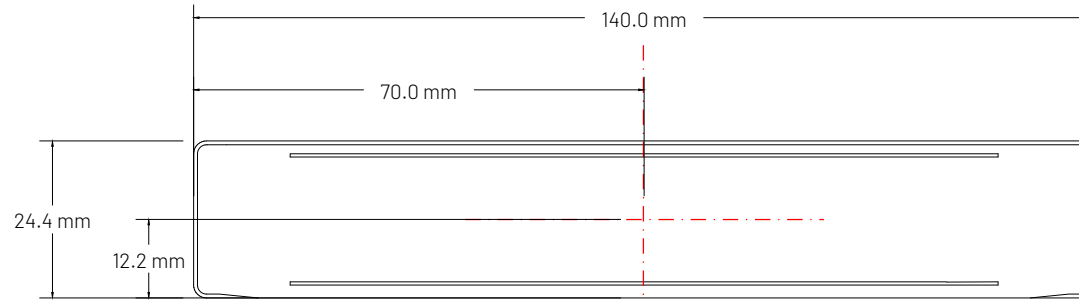


Drawing number	01
Date	January 24, 2023
Page	N/a
Scale	NTS

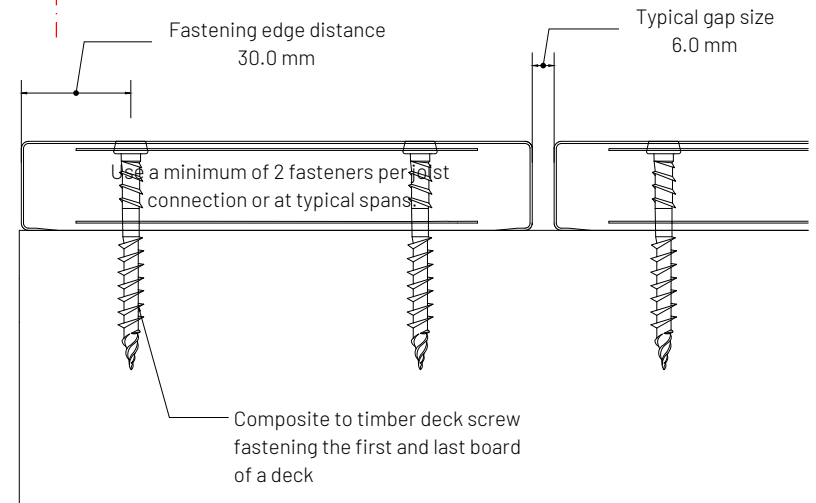
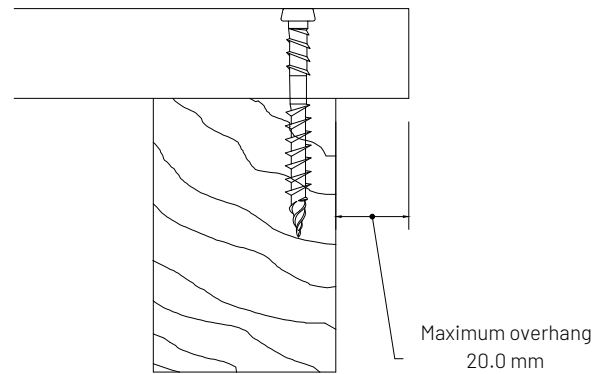
Unless otherwise specified all dimensions are in millimeters.

Issued for information. See supporting documentation for disclaimers and details.

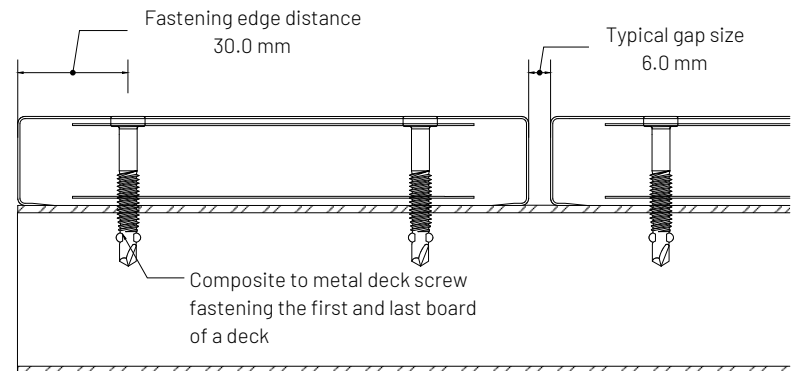
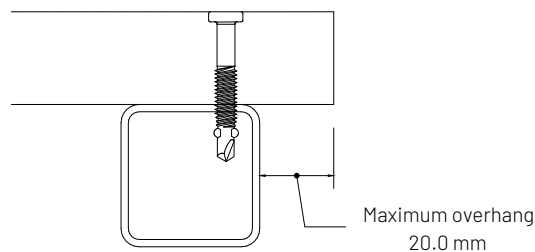
Apex[®] PLUS



A STTHMZQ102. Square edge deck board
Scale 1:1

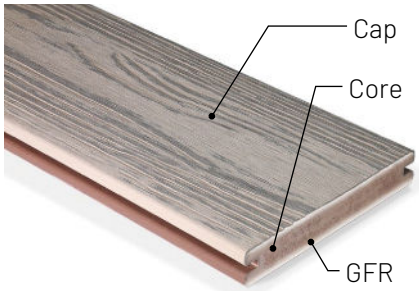


B1 STTHMZQ102. Square edge board in a Timber application
Scale 1:2



B2 STTHMZQ102 - Square edge deck board in a metal application
Scale 1:2

Profile properties	
Product code	STTHMZQ103
Sectional area (mm ²)	3 234
Approximate mass (kg/m)	2.4

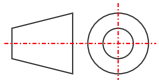


Sectional properties in typical orientation	
I_x (mm ⁴)	160 415
I_y (mm ⁴)	4 949 191
C_x (mm)	70.0
C_y (mm)	12.0
S_x (mm ³)	13 368
S_y (mm ³)	70 703

Drawing title
STTHMZQ103 - Grooved deck board - Apex Plus

File name
Apex Plus infographics

File details

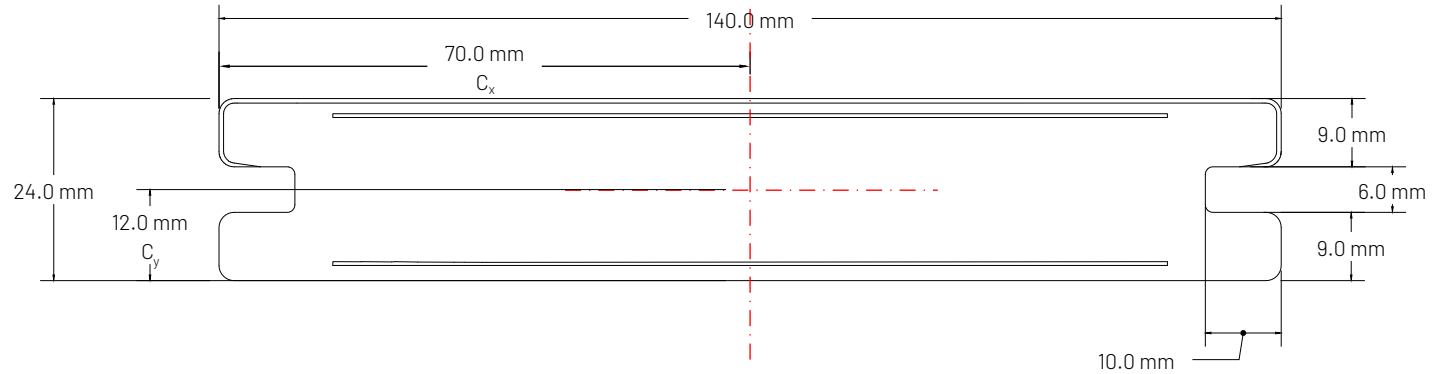


Drawing number	01
Date	January 24, 2023
Page	N/a
Scale	NTS

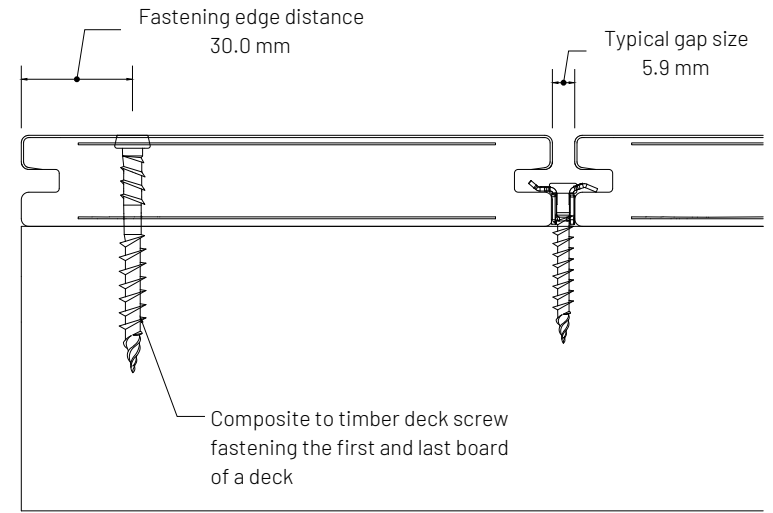
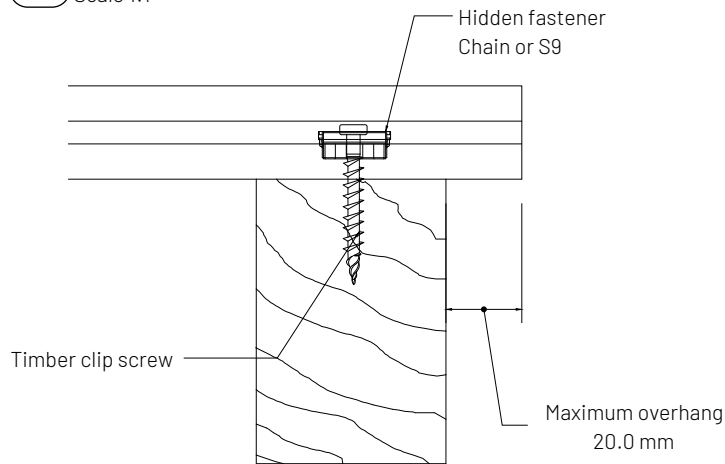
Unless otherwise specified all dimensions are in millimeters.

Issued for information. See supporting documentation for disclaimers and details.

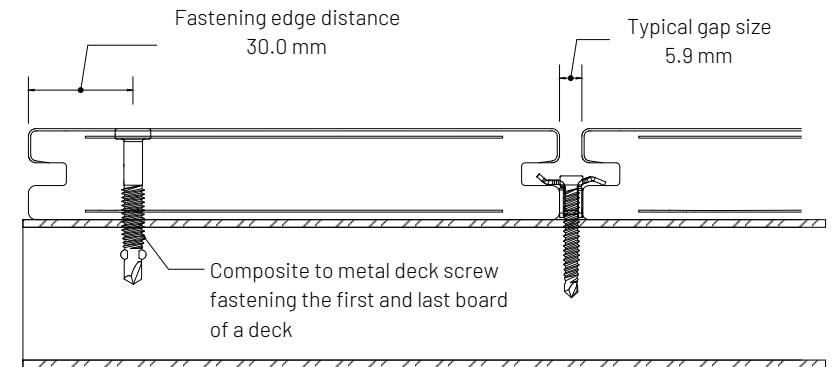
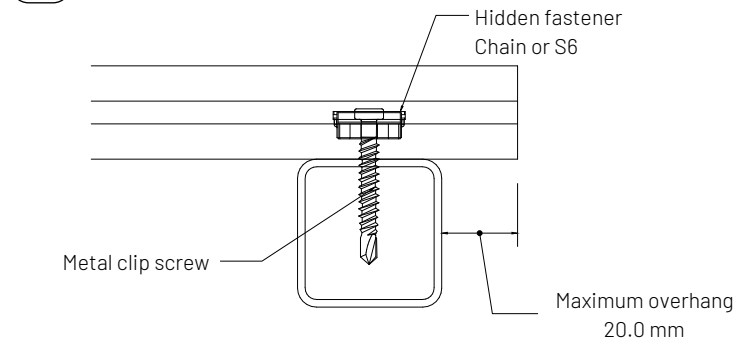
Apex[®] PLUS



A STTHMZQ103. Grooved deck board
Scale 1:1



B1 STTHMZQ103. Grooved deck board in a Timber application
Scale 1:2



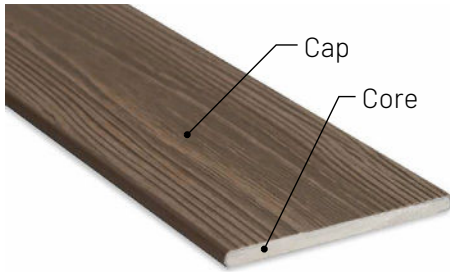
B2 STTHMZQ103 - Grooved deck board in a metal application
Scale 1:2

Profile properties

Product code

Sectional area (mm²)

Approximate mass (kg/m)



Sectional properties in typical orientation

I_x (mm⁴)

I_y (mm⁴)

C_x (mm)

C_y (mm)

S_x (mm³)

S_y (mm³)

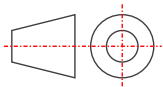
Drawing title

Typical Fascia application - timber application

File name

Apex Plus infographics

File details



Drawing number 01

Date January 24, 2023

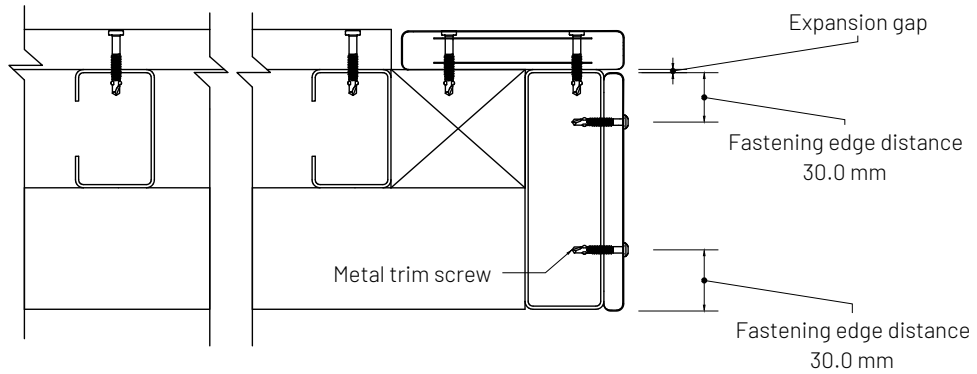
Page N/a

Scale NTS

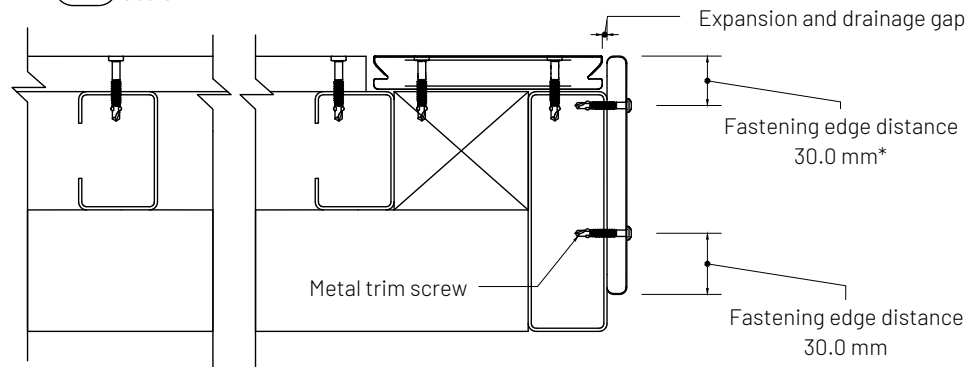
Unless otherwise specified all dimensions are in millimeters.

Issued for information. See supporting documentation for disclaimers and details.

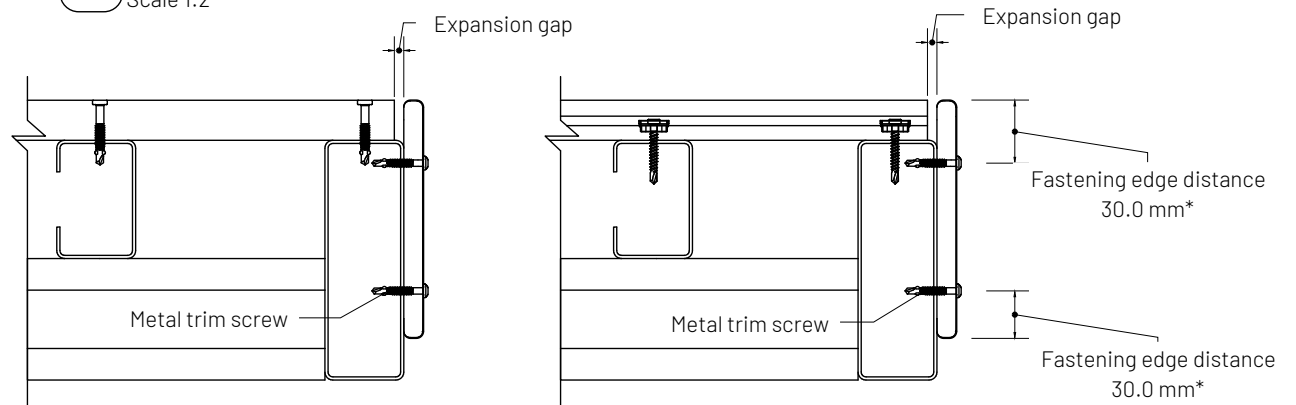
ApexTM



B1 Grooved deck board in a metal application beneath a breaker board
Scale 1:2



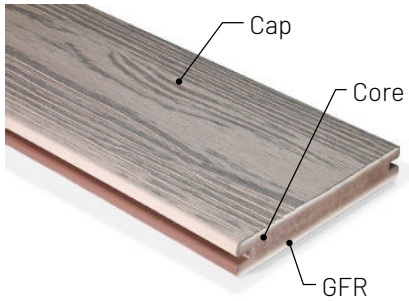
B2 Grooved deck board in a metal application covering a grooved board edge
Scale 1:2



B3 Timber application covering board edges
Scale 1:2

Profile properties

Product code	STTHMZQ128
Sectional area (mm ²)	2 932
Approximate mass (kg/m)	2.2



Sectional properties in typical orientation

I_x (mm ⁴)	110 992
I_y (mm ⁴)	4 790 388
C_x (mm)	72.5
C_y (mm)	10.5
S_x (mm ³)	10 566
S_y (mm ³)	66 120

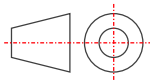
Drawing title

STTHMZQ128 - Grooved deck board - Apex Plus

File name

Apex Plus infographics

File details

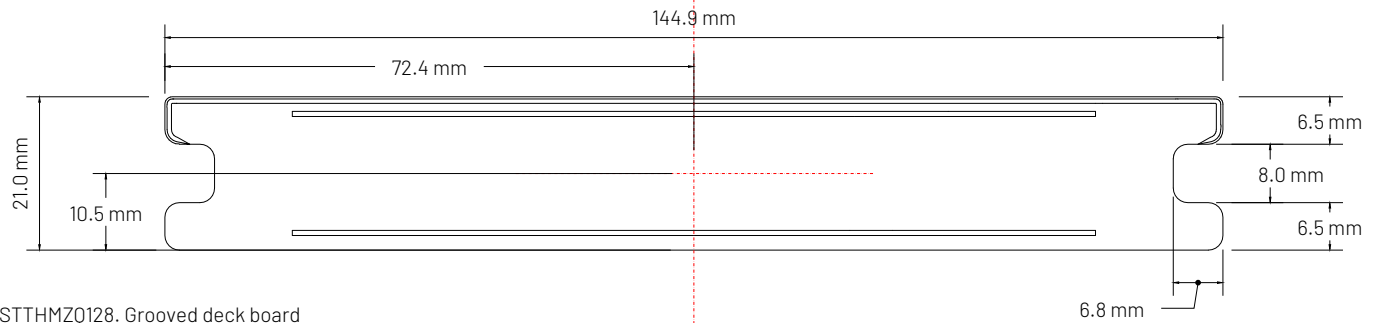


Drawing number	01
Date	January 24, 2023
Page	N/a
Scale	NTS

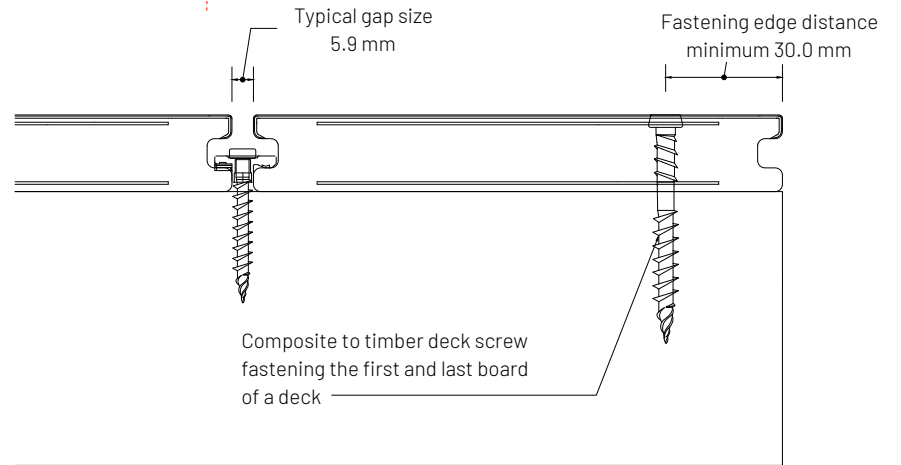
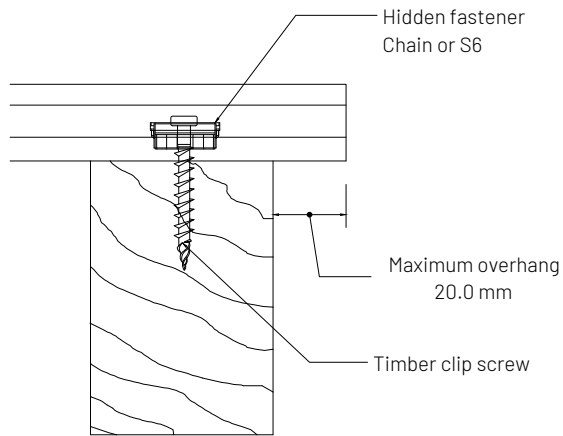
Unless otherwise specified all dimensions are in millimeters.

Issued for information. See supporting documentation for disclaimers and details.

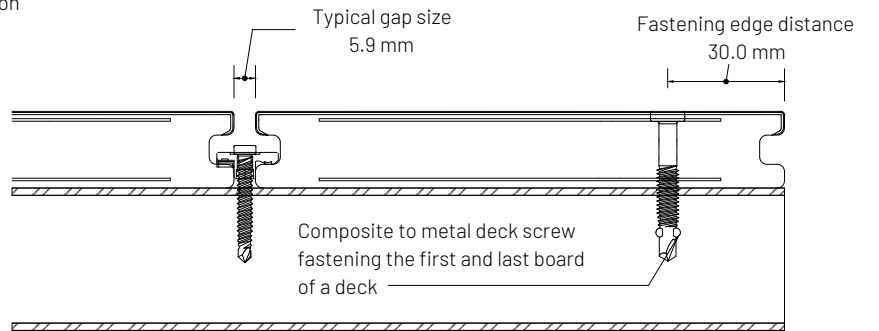
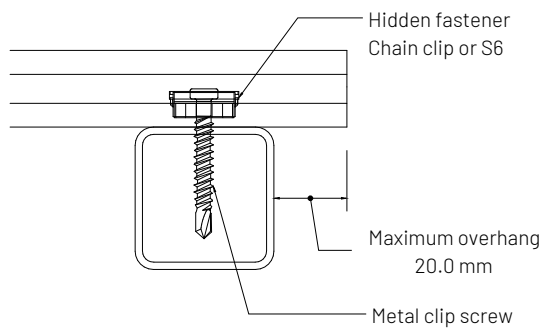
Apex[®]PLUS



A STTHMZQ128. Grooved deck board
Scale 1:1

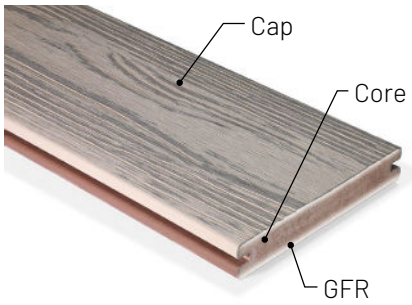


B1 STTHMZQ128. Grooved deck board in a Timber application
Scale 1:2



B2 STTHMZQ128 - Grooved deck board in a metal application
Scale 1:2

Profile properties	
Product code	STTHMZ0128
Sectional area (mm ²)	2 932
Approximate mass (kg/m)	2.2

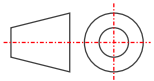


Sectional properties in typical orientation	
I_x (mm ⁴)	110 992
I_y (mm ⁴)	4 790 388
C_x (mm)	72.5
C_y (mm)	10.5
S_x (mm ³)	10 566
S_y (mm ³)	66 120

Drawing title
STTHMZ0128 - Grooved deck board - Apex Plus

File name
Apex Plus infographics

File details

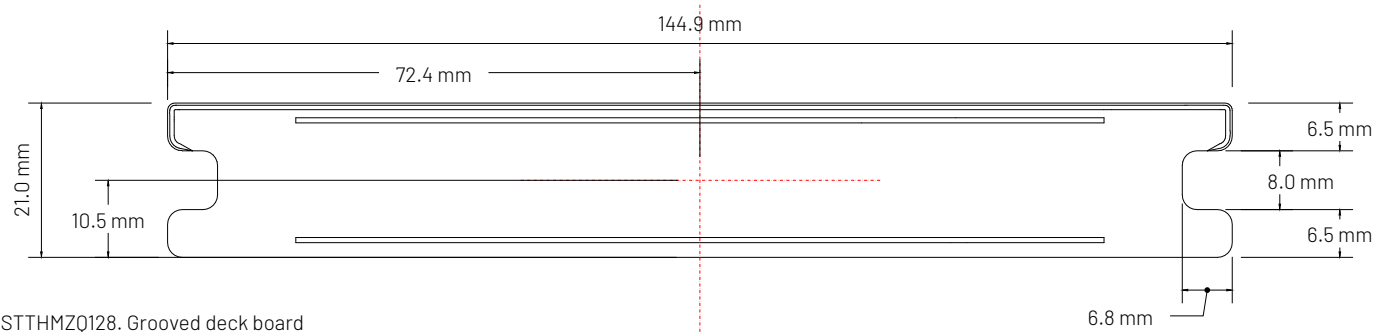


Drawing number	01
Date	January 24, 2023
Page	N/a
Scale	NTS

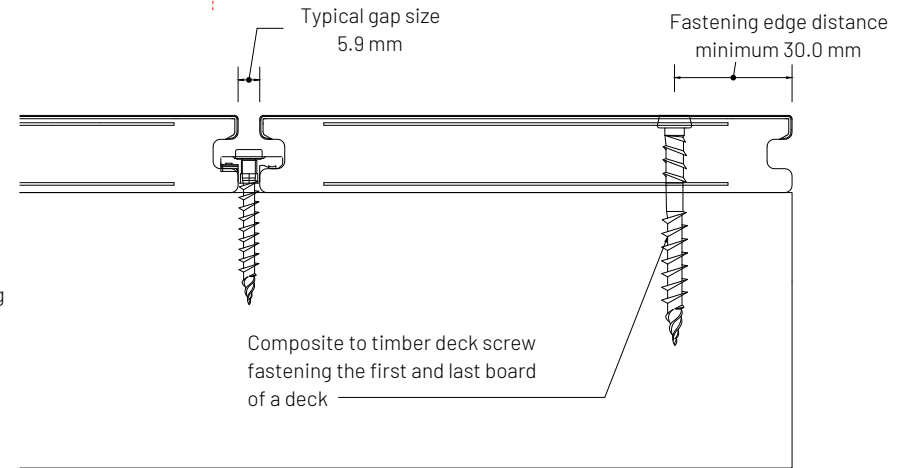
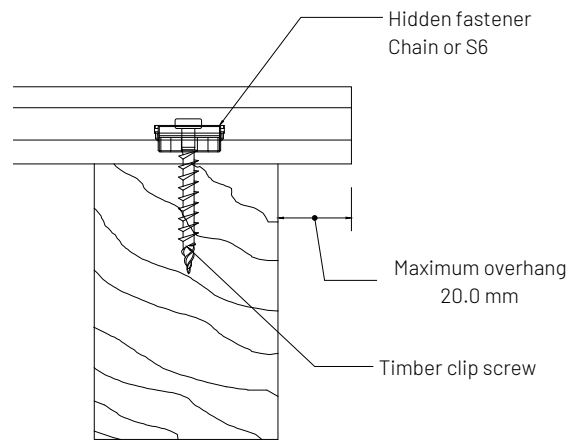
Unless otherwise specified all dimensions are in millimeters.

Issued for information. See supporting documentation for disclaimers and details.

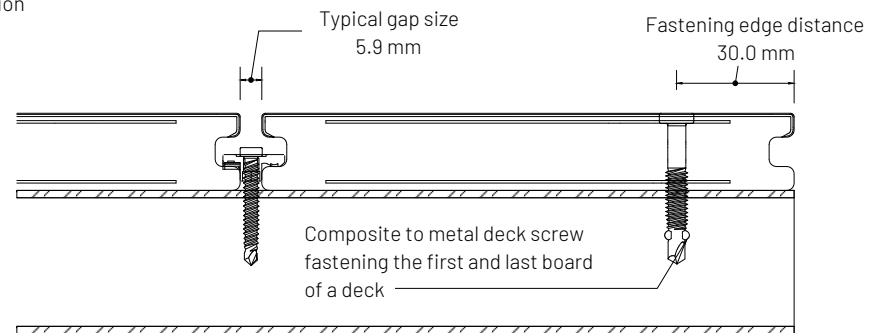
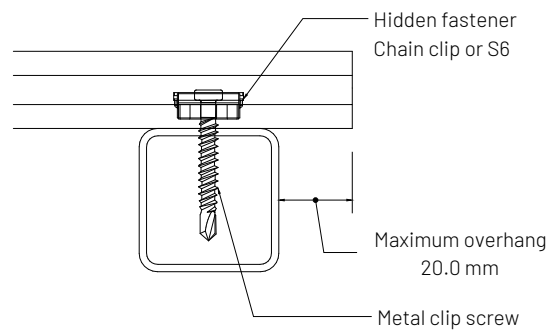
Apex[®] PLUS



A STTHMZ0128. Grooved deck board
Scale 1:1



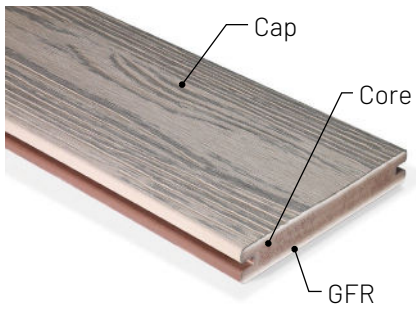
B1 STTHMZ0128. Grooved deck board in a Timber application
Scale 1:2



B2 STTHMZ0128 - Grooved deck board in a metal application
Scale 1:2

Profile properties

Product code	STTHMZQ128
Sectional area (mm ²)	2 932
Approximate mass (kg/m)	2.2



Sectional properties in typical orientation

I_x (mm ⁴)	110 992
I_y (mm ⁴)	4 790 388
C_x (mm)	72.5
C_y (mm)	10.5
S_x (mm ³)	10 566
S_y (mm ³)	66 120

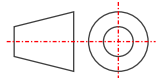
Drawing title

STTHMZQ128 - Grooved deck board - Apex Plus

File name

Apex Plus infographics

File details

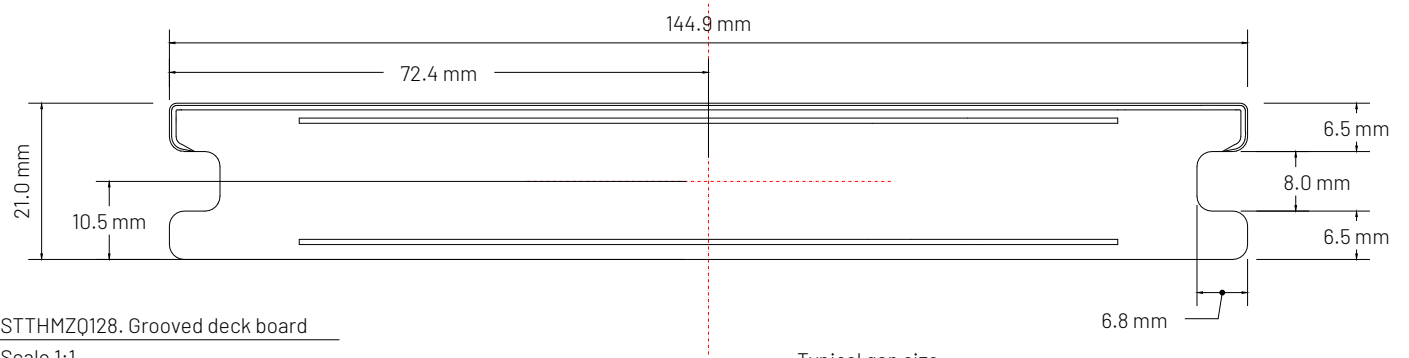


Drawing number	01
Date	January 24, 2023
Page	N/a
Scale	NTS

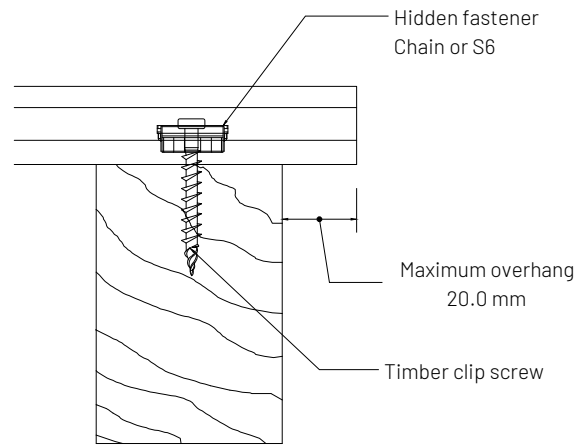
Unless otherwise specified all dimensions are in millimeters.

Issued for information. See supporting documentation for disclaimers and details.

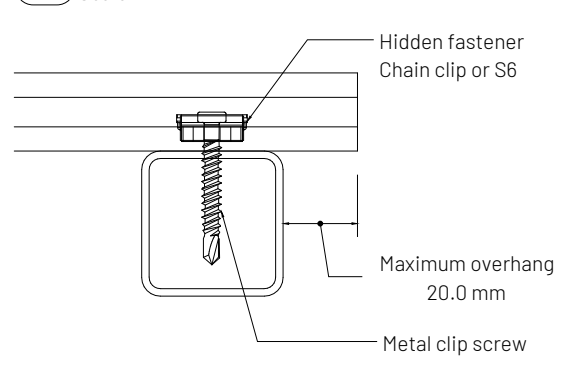
Apex[®]PLUS



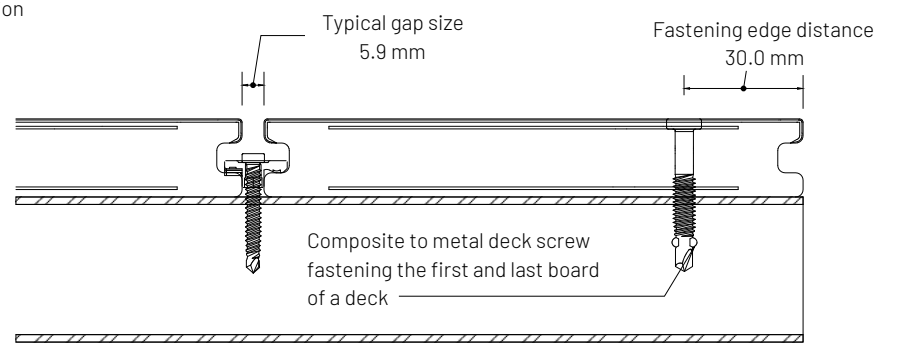
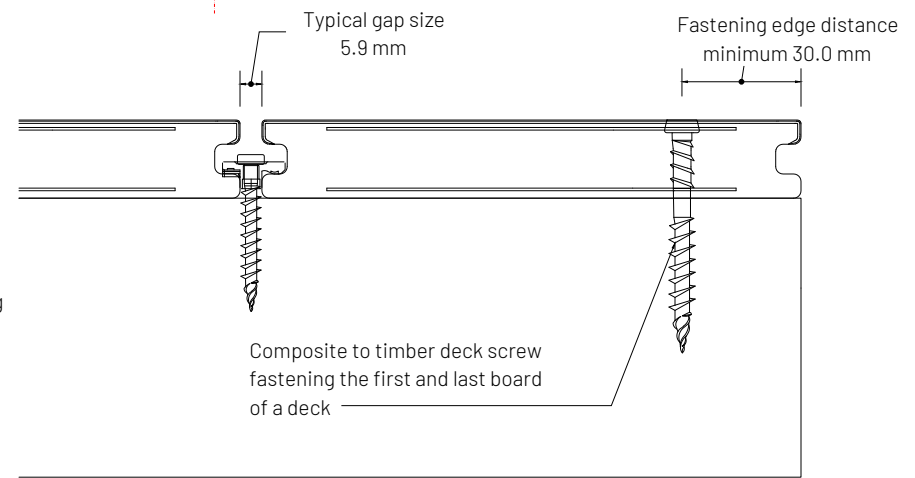
A STTHMZQ128. Grooved deck board
Scale 1:1



B1 STTHMZQ128. Grooved deck board in a Timber application
Scale 1:2



B2 STTHMZQ128 - Grooved deck board in a metal application
Scale 1:2



Appendix C

Summary matrix of expansion gaps for different conditions

Expansion coefficients

Per section 3. When a material is heated or cooled, its length changes by an amount proportionate to the original length and the change in temperature. The following table provides the expansion coefficient of common materials.

Material	Expansion coefficient (mm/mm/°C)	Expansion per meter per degree change. (mm/m/°C)
Infinity (HDPE)	40.1 x 10 ⁻⁶	0.040
Eva-tech (HDPE)	45.3 x 10 ⁻⁶	0.050
Apex (PVC)	70.0 x 10 ⁻⁶	0.070
Apex Plus (PVC + GFR)	35.0 x 10 ⁻⁶	0.035
Pioneer (PVC + GFR + PMMA Cap)	35.0 x 10 ⁻⁶	0.035
Lifespan (Aluminium)	24.0 x 10 ⁻⁶	0.020
Galvanised steel	12.5 x 10 ⁻⁶	0.010

Summary matrix of estimated expansion gaps (to the nearest 0.5 mm) for Apex Plus material technology at different board lengths and different increases in board temperature relative to the installation temperature.

Board length (m)	Required expansion gap (mm) estimate per increase in temperature relative to the installation temperature (°C)												
	1 (°C)	5 (°C)	10 (°C)	15 (°C)	20 (°C)	25 (°C)	30 (°C)	35 (°C)	40 (°C)	45 (°C)	50 (°C)	55 (°C)	60 (°C)
1.0 m	0.5	0.5	0.5	1.0	1.0	1.0	1.5	1.5	2.0	2.0	2.0	2.5	2.5
2.0 m	0.5	0.5	1.0	1.5	2.0	2.0	2.5	3.0	3.5	4.0	4.0	4.5	5.0
3.0 m	0.5	1.0	1.5	2.0	2.5	3.0	4.0	4.5	5.0	5.5	6.0	7.0	7.5
4.0 m	0.5	1.0	2.0	2.5	3.5	4.0	5.0	6.0	6.5	7.5	8.0	9.0	10.0
5.0 m	0.5	1.0	2.0	3.0	4.0	5.0	6.0	7.0	8.0	9.0	10.0	11.0	12.0
5.45 m	0.5	1.5	2.5	3.5	4.5	5.5	7.0	8.0	9.0	10.0	11.0	12.0	13.5
5.8 m	0.5	1.5	2.5	3.5	5.0	6.0	7.0	8.5	9.5	10.5	12.0	13.0	14.0

Appendix D
Corrosion references

Fastener Life expectancy

Screw corrosion classification

The following table provides a summary of typical fasteners, their coating thicknesses, and respective lifespans in different corrosion zones. In all cases consult an appropriately qualified professional.

Red – The fastener is not suitable

Orange – The protective coating is suitable for some composite product systems. See appropriate TDS document for more information.

Green – The coating is suitable for the given environment and most composite systems.

Tick(✓) – The material itself is suitable for the given environment and most composite systems.

Fastener category	ISO 9223 corrosion category		C3	C4	C5	C5+	
	Material	Coating	Zinc corrosion rate	0.7 to 2.1 (µm/annum)	2.1 to 4.2 (µm/annum)	4.2 to 8.4 (µm/annum)	8.4 to 25 (µm/annum)
			Coating Thickness	Expected lifespan of fastener coatings (years)			
Carbon clip screws	C1022	Magni 599 (full coat)	20 µm	10 to 28	5 to 10	2 to 5	< 1 to 2
Carbon deck screws			20 µm	10 to 28	5 to 10	2 to 5	< 1 to 2
Carbon Frame screws			10B21	20 µm	10 to 28	5 to 10	2 to 5
Tek screw	C1022	Class 3	25 µm	12 to 35	6 to 12	3 to 6	1 to 3
		Class 4	50 µm	24 to 72	12 to 24	6 to 12	2 to 6
		Zinc plated	8 µm				
Stainless Steel S clips	SS430	Enamel		✓	✓		
Stainless clip screw	SS316	Magni 599 (full coat)	20 µm	10 to 28 + ✓	5 to 10 + ✓	2 to 5 + ✓	< 1 to 2 + ✓
Stainless deck screw		Enamel head coating	N/A	✓	✓	✓	✓
Stainless trim screw							
Stainless chain clip	SS316	Polypropylene (PP)	600 µm	✓	✓	63 to 130 ✓	✓

Material corrosion rates

The following table provides typical corrosion rates ($\mu\text{m} / \text{annum}$) for common materials seen in composite building systems. Not all materials are published in relation to ISO 9223 corrosion rates but are indicated by source material as suitable for certain environments. It has been assumed that references to a marine environment would be equivalent to a C5 environment.

Corrosion rates ($\mu\text{m}/\text{annum}$) of constituents in different corrosion zones							
Material Category	ISO 9223 corrosion category	C3	C4	C5	C5+	Notes	
	Equivalent category	Rural	Urban	Marine	Marine Industrial		
Zinc		0.7 to 2.1	2.1 to 4.2	4.2 to 8.4	8.4 to 25		
Copper		0.6 to 1.3	1.3 to 2.8	2.8 to 5.6	5.6 to 10		
Aluminium		Negligible					Per published ISO 9223 rates
Steel	Carbon	25 to 50	50 to 80	80 to 200	200 to 700		
Stainless steel	SS410	✓	x	x	x		
	SS430	✓	✓	0.0381	0.0406	Per ASKzn website. Unrelated to ISO 9223	
	SS316	✓	✓	0.0051	0.0076		
Plastics	Polypropylene (PP)	✓	✓		4.6 to 7.5	Per online sources. Unrelated to ISO 9223	
	Polypropylene (PE)	✓	✓		4.3 to 9.5		

Appendix E

Troubleshooting

Common complaints	Typical issues	Potential solution
Deck is bouncy or springy.	Inappropriate spans.	Reduce spans and/or provide additional supports.
Deck boards sag between joists.	Inappropriate spans.	Reduce spans and/or provide additional supports.
Deck board ends lift or tent.	Inappropriate fastening distance from edge of the board and/or overhang.	Fasten board down closer to the board edge. Ensure board support and substructure are adequate. Ensure appropriate overhang distance.
Expansion gap is too large.	The installed gap did not consider potential minimum board temperatures for the site.	Refit using appropriate expansion gaps. Make use of shorter boards and/or breaker boards.
Ends of the deck boards are no longer even.	Boards were not left to acclimatise before installation and/or boards were installed at different temperatures without allowing for this.	Now that the boards have acclimatised, cut the boards to the same lengths. Ensure this is done at a consistent temperature to avoid similar problems in the future.
Boards 'tent' at butt joints.	Inappropriate expansion gaps.	Calculate correct expansion gap for site and cut board ends to satisfy. Make use of breaker boards and similar where possible.
Board end sags under load.	Inappropriate board overhang.	Ensure board end is adequately supported within 20 mm of board end.
Screws snapping.	Inappropriate number of fasteners per board and/or over-tightening/over-torquing of screws and/or incorrect fastener utilised for the application.	Ensure appropriate fastener is used. Ensure two fasteners (hidden clips or top fixings) are used at every joist. Ensure appropriate torque settings are utilised.
Boards are cracking at board edges in vicinity of top-fixing screws.	Inappropriate fastening edge distance and/or pre-drilling.	Replace board and ensure top fixing to edge distances are correct. Pre-drill in low-temperature installations.
'Mushrooming' occurring at top-fixings.	Over-tightening/over-torquing of screws and/or high deck board temperatures during installation.	Ensure appropriate torque settings are utilised. Avoid installations at particularly high site temperatures. Pre-drill the fastening holes.
Deck is squeaky.	Board-clip-substructure interaction is producing a noise when loaded.	Replace hidden fastener with a smaller fastener and/or a fastener with a suitable polymer coating.
Stands of Glass fiber of visible after cutting.	Blades used to cut the board are not sharp or fast enough.	Trim the strands with a sharp blade and dispose of the strands in accordance with health and safety requirements.

Appendix F

Glass reinforced material range Safe Work Procedure (SWP)

6. GLASS FIBER REINFORCED MATERIAL RANGE

SAFE WORK PROCEDURE (SWP)

SWP JOB TITLE OR TASK: GLASS FIBER REINFORCED MATERIAL RANGE		DATE: JANUARY 2023
Potential Hazards	Personal Protective Equipment	Training required
Hazardous Substances	Safety Glasses	MSDS
Dust Fiber particles	Respiratory Protection	Health and Safety Induction
Flying particles	Overalls	First Aid
Unsafe use of equipment	Gloves	Health and Safety Induction
Unsafe use of tools	Other (as per installer's risk assessment)	Other (as per Installers risk assessment)
Incompetent operators/workers		

Note: Properly installed, the Glass Fiber Reinforced Material Range are not considered to pose a health risk. It is only during installation, or when these materials are disturbed or broken (e.g., during renovations) that you need to be concerned.

- The material contains glass fiber reinforcement. When the final product is processed (cutting mainly) fine glass fiber dust gets released. Installers is obligated inform their employees, subcontractors, any other parties on site and the client of the potential risk when handling and installing this material.
- Installers must provide appropriate personal protective equipment to help employees protect themselves from glass fiber exposure. Safety glasses or goggles will prevent the fibers from entering the eyes.
- Selecting the right clothes can help minimize contact with the fibers, reducing the risk for irritation and injury. Workers should wear pants and long-sleeve shirts when working with this material. The fabric will prevent glass fiber dust from irritating the skin and reduce the risk of fibers becoming embedded in the skin. Keep your employer's dress code in mind when selecting the clothing you will wear when handling glass fiber. You can use duct tape to close the gap at the end of long sleeves and trousers.
- Wearing gloves reduces skin contact with the glass fiber and may prevent irritation.
- Workers regularly exposed to this type of dust should wear masks with respirators, which contain filters that prevent dust and other particles from entering the mouth and respiratory system. Masks that cover the nose and mouth can prevent workers from inhaling or swallowing the fibers.
- Fumes from resins and other substances used in this product and installation should be avoided as much as possible, because they may cause respiratory problems such as tight chest, shortness of breath and wheezing. Other possible symptoms may include eye and nose irritation, headache, dizziness, and nausea.
- Don't rub your skin or eyes if they feel itchy or irritated.
- After working, wash with soap and running water (a shower is best). Wash your work clothes separately. Separate working clothes from town clothes. Contaminated work clothing should not be allowed out of the workplace. Wash contaminated clothing before reuse.
- Wash hands and other exposed areas with mild soap and water before eating, drinking, or smoking and when leaving work. Do not eat, drink, or smoke when using this product. Always wash hands after handling the product.
- Keep your workspace clean, and wet-wipe or mop surfaces after working. Vacuuming is also good, but don't sweep - this spreads dust around. Vacuum attachments for cutting equipment should be utilised to mitigate risk.
- Keep glass fiber materials properly stored and dispose of any scrap.
- Material Safety Data Sheets (MSDS) of all materials to be used must be made available at the workplace.
- You should seek prompt medical advice, ideally from an occupational physician or specialist, if you experience any symptoms related to exposure to any of the products and substances mentioned above.
- Installers must ensure compliance with their country's Health and Safety Obligations and Laws.
- The client is obligated to inform anyone necessary of the potential risk when handling and installing this material.
- Omissions from the above responsibilities do not relieve the employer from any of these or other obligations and does not transfer any risk to the product supplier.

Received by: _____

Signature: _____

Date: _____