

cowdroy

BARN DOOR RANGE

DECORATIVE SLIDING DOOR HARDWARE



FEATURE PIECE | DIVIDER WALLS | INTERNAL DOORS

DECOR SYSTEM FOR THAT UNIQUELY RUSTIC LOOK

Cowdroy's newly upgraded range of Barn Door kits now offers a top-fix option as well as the classic side-fix option.

Featuring a steel track, large rollers and a steel roller guide, this latest range combines smooth and quiet performance with robust design and pleasing aesthetics.

Catering for doors up to 1500mm wide and 90kg in weight, the new Barn Door range is perfect for feature doors in pantries, bedrooms, hallways and room dividers as either a single door or bi-parting double doors.

APPLICATION

Suits:	1 door
Max. Door Width:	1500mm wide
Door Thickness:	34-44mm



Internal



Single



Bi-Parting

COLOURS

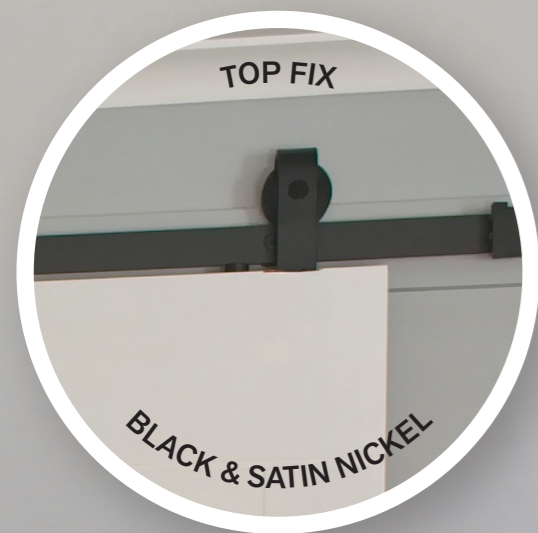


Black



Satin Nickel

BARN DOOR

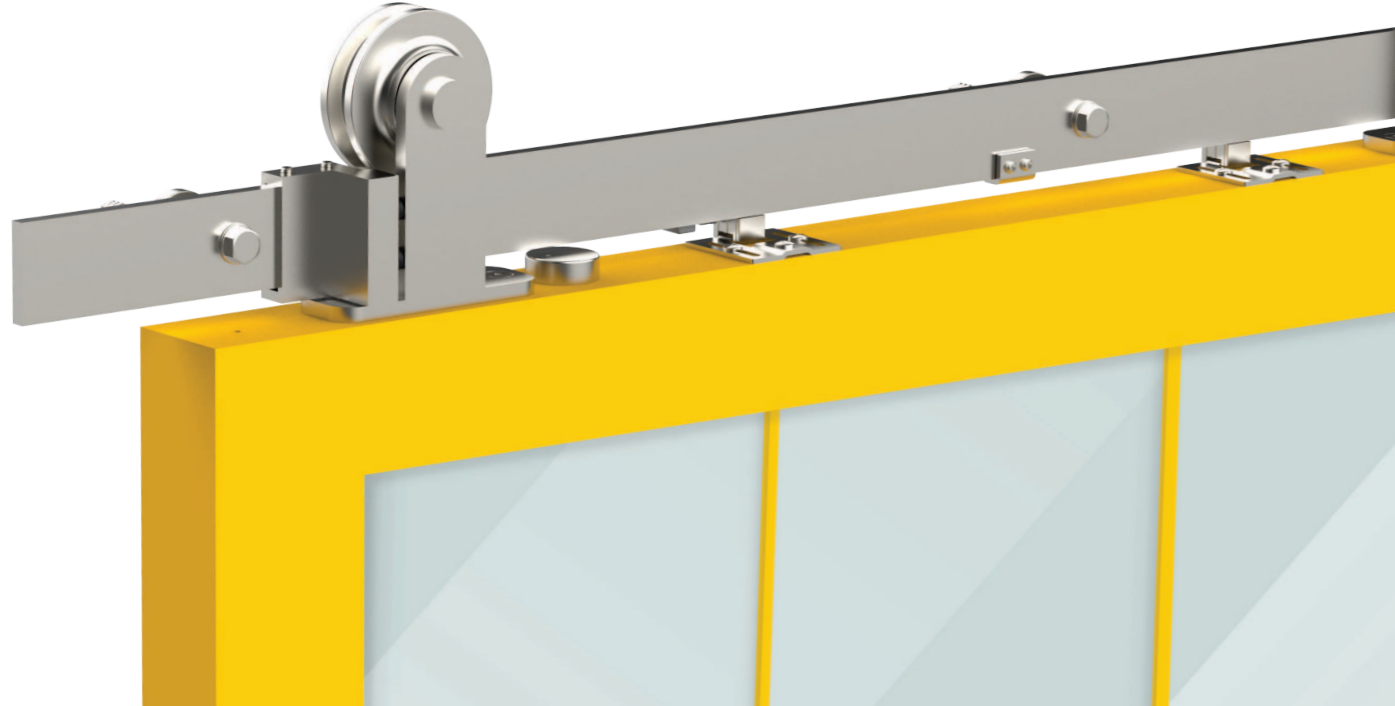


BARN DOOR

SIDE FIX OPTION



TOP FIX OPTION



CLASSIC YET MODERN BARN DOOR TRACK SYSTEM

An internal sliding door system boasting a 90kg weight capacity paired with easy to follow instructions - your vision will be implemented in no time. Available to suit doors up to 1500mm, the options of side & top fix combined with finishing options of Satin Nickel and powdercoat black - this system strives to compliment all interior styles.

FEATURES



HEAVY DUTY ROLLERS

Robust hangers with large ergonomic wheels for door weights of up to 90kg. Available in side and top fix options.

STRONG, PRE-DRILLED & SIMPLE TRACK

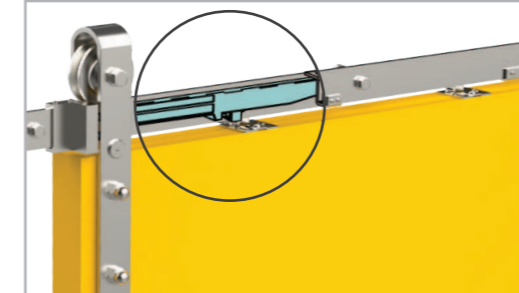
Satin Nickel & Powder Coat Black pre-drilled steel track with wall mount spacers and bolts.



STEEL ROLLER GUIDE & ADJUSTABLE DOOR STOPS

Heavy duty floor-mounted steel roller door guide for improved strength. Adjustable track-mounted door stops with rubber bumpers.

OPTIONAL EXTRAS



QUIET & SAFE SOFT CLOSE

Adding a Soft Close kit to your Barn Door offers gentle and quiet closing performance along with the safety of reducing slamming and jamming fingers. Clamp-on design allows for easier installation. Available in a pack of 2 for Soft Closing at each end of your door.

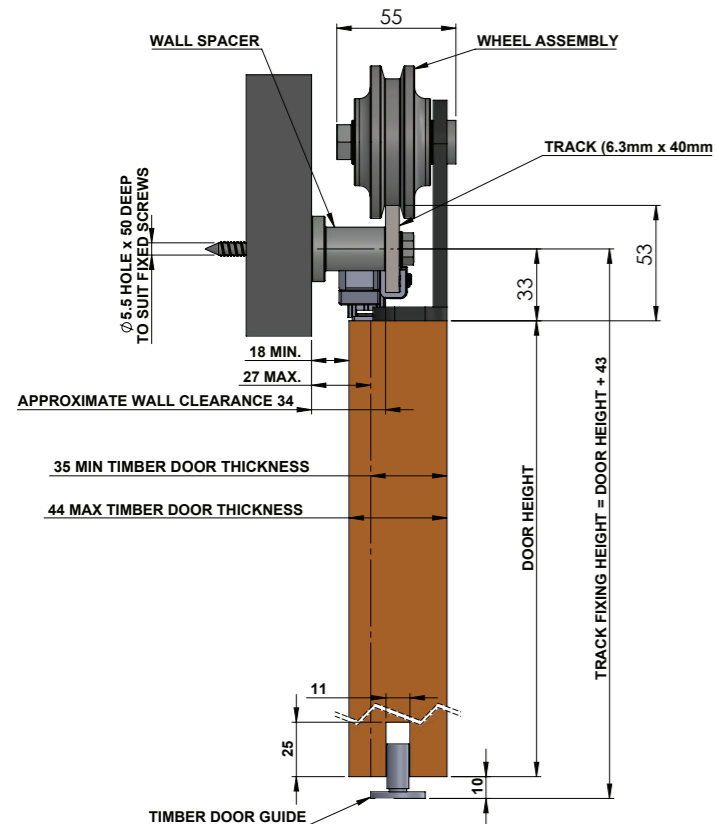
HASSLE-FREE DOOR TRACK ALIGNER

Ideal for butting tracks, this hassle-free track aligner ensures perfect alignment with simple installation - no drilling required. Available in Black and Satin Nickel.

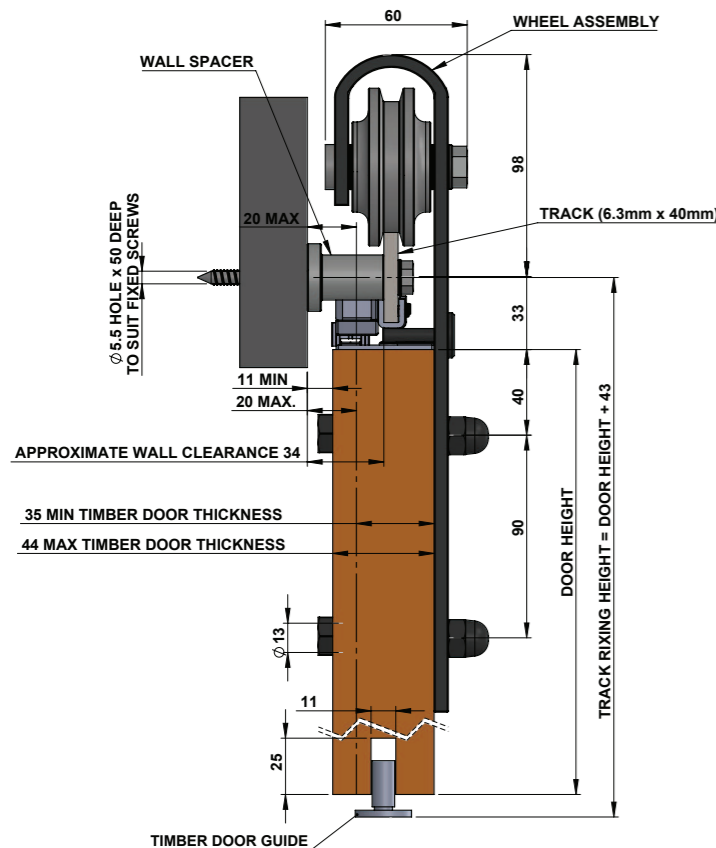


TECH INFORMATION

ARCHITECTURAL DRAWINGS



TOP FIX - END VIEW



SIDE FIX - END VIEW

TECH SPECS

<ul style="list-style-type: none"> ● Included Feature ○ Optional Extra 		External door	
System Type	Sliding	Internal door	○
Max. Weight Door/Panel	90kg	Wardrobe doors	○
Door/Panel width (mm)	Up to 1500	Cupboard doors	
Door Thickness (mm) min.	34-44	Glass Cabinet doors	
Track Length (mm)	2000-3000	Wall mounted track	○
Suits No. of doors	1	Top mounted track	
Track Type	Steel Black/Satin Nickel	Floor fixed track	
		Top hung wheel	○
		Bottom rolling wheel	
		Door side fix	○
		End pivoting	
		Centre pivoting	
		Bottom guide	○
		Top guide	
		End stop	○
		Soft-close	●
		Pelmet	

PACKAGED SETS

For Single Doors

SIDE FIXED

- BD25020BK: Doors up to 1000mm wide - Black
- BD25020SN: Doors up to 1000mm wide - Satin Nickel
- BD25025BK: Doors up to 1250mm wide - Black
- BD25025SN: Doors up to 1250mm wide - Satin Nickel
- BD25030BK: Doors up to 1500mm wide - Black

TOP FIXED

- BD25520BK: Doors up to 1000mm wide - Black
- BD25520SN: Doors up to 1000mm wide - Satin Nickel
- BD25525BK: Doors up to 1250mm wide - Black
- BD25525SN: Doors up to 1250mm wide - Satin Nickel

OPTIONAL ACCESSORIES

Sold Separately

- TT269BK: Track Aligner - Black
- TT269SN: Track Aligner - Satin Nickel
- TT25210: Soft Close Kit for Single Door - Black

HANDLES & PULLS

The Barn Door range offers complimenting pull handles and finger pulls. The pull handle sets consist of a large external pull handle and a slim internal finger pull, both color-matched to the kits which will enhance the traditional barn door aesthetic. The finger pull options offer flexibility in placement on the door, accommodating wider doors where typical handle locations might limit access.

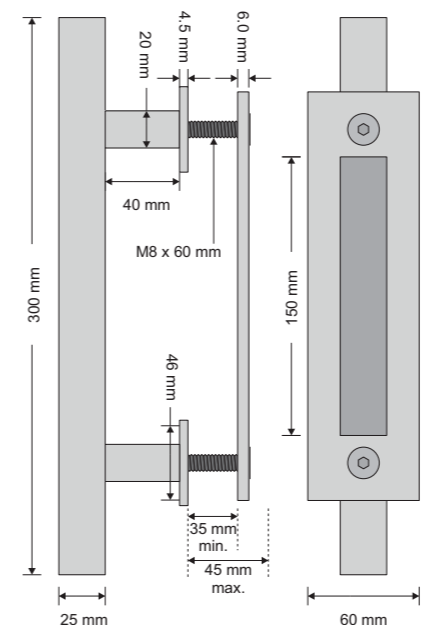
PULL HANDLE SET



Overall height: 300mm
Overall width: 60mm
Suits doors: 35-45mm thick

- BH00045BK: Pull Handle Set - Mild steel - Black

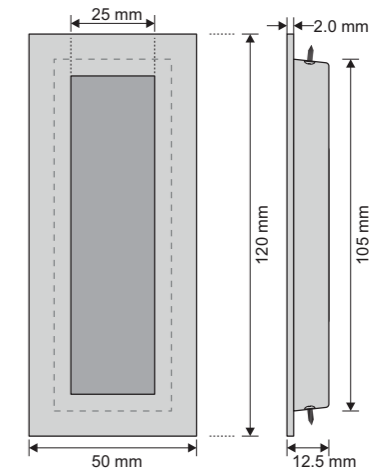
- BH00045SN: Pull Handle Set - Mild steel - Satin Nickel



RECTANGLE FINGER PULL

Dimensions: 120 x 50mm
Overall depth: 12.5mm

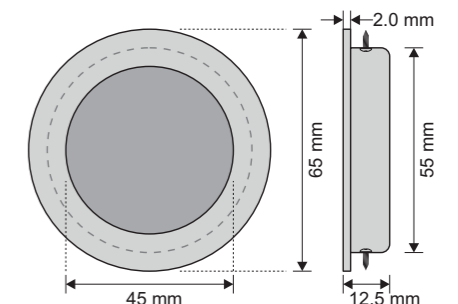
- BH00104BK: Rectangle Finger Pull - Stainless steel - Black
- BH00104SN: Rectangle Finger Pull - Stainless steel - Satin Nickel



ROUND FINGER PULL

Dimensions: 65mm diameter
Overall depth: 12.5mm

- BH00107BK: Round Finger Pull - Stainless steel - Black
- BH00107SN: Round Finger Pull - Stainless steel - Satin Nickel





BI-FOLD SYSTEM FOR ALL THOSE TIGHT SPACES

Introducing the Bi-Fold Barn Door System from Cowdroy: With its sleek powder coated black finish, this bi-folding system adds an elegant touch to any space. The minimalistic, bi-folding design allows for the Barn Door look in small doorways, without the need for additional wall to slide along.

Designed as a 4 door system, the kit suits 300mm wide door panels (2 in each direction) and 15kg in weight. As an alternative, the system can be used as a 2 door system with panel widths of up to 600mm.

APPLICATION

Suits:	4 panels (2 each way) 2 panels (one direction)
Max. Panel Width:	300mm wide (4 panels) 600mm wide (2 panels)
Door Thickness (min):	35mm



Internal



Double



Bi-Folding

BI-FOLD BARN DOOR

COLOURS



Black

FEATURES

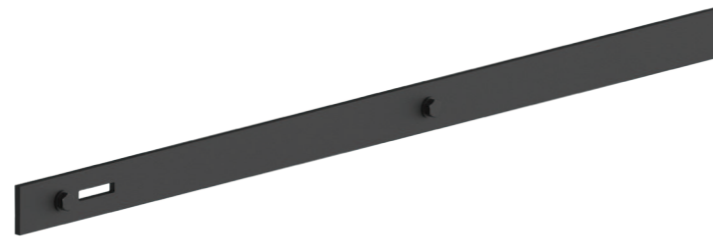


ROBUST HANGERS

Sturdy hangers with top fix pivot plates, designed for durability and a traditional barn door aesthetic. These high-quality components ensure seamless operation and timeless appeal.

STRONG, PRE-DRILLED & SIMPLE TRACK

Powder coated black steel track with wall mount spacers and fixing screws, offering a sleek look and secure installation.

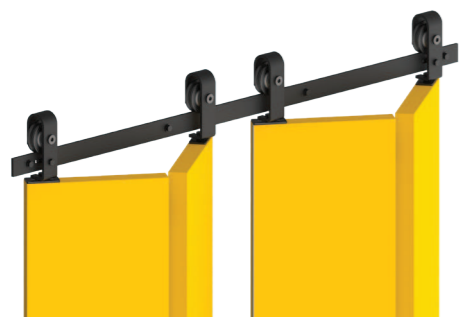
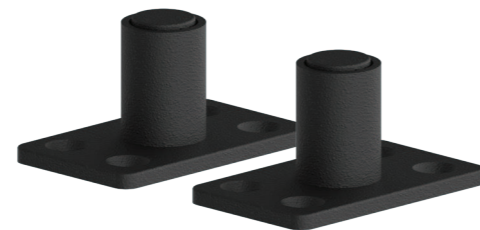


SLIMLINE HINGES

Surface mounted hinges on the rear enable doors to butt up neatly, ensuring a clean and seamless appearance. These hinges offer both functionality, strength and an attractive finish for your doors.

HARDY BOTTOM PIVOTS

Steel bottom pivot plates with steel collars provide robust support and smooth operation. Designed for durability and stability, they are essential for a reliable barn door setup.

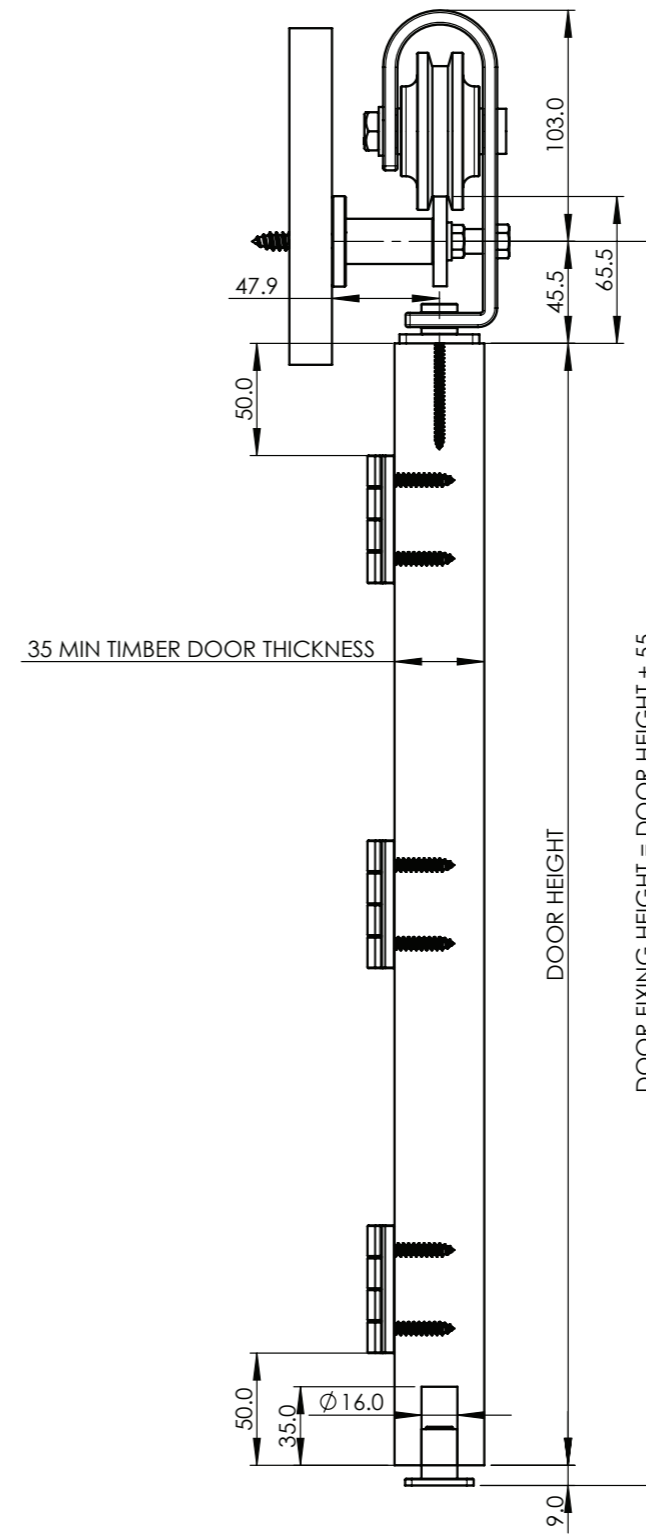


ALL BUT THE DOORS

Kits come complete with fixing hardware and detailed installation instructions, ensuring a straightforward and hassle-free setup.

TECH INFORMATION

ARCHITECTURAL DRAWINGS



TOP FIX - END VIEW

TECH SPECS

●	Included Feature
○	Optional Extra

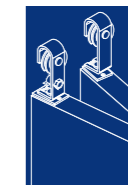
System Type	Bi-Folding
Max. Weight Door/Panel	15kg
Door/Panel width (mm)	300 (4 panel) 600 (2 panel)
Door Thickness (mm) min.	34-44
Track Length (mm)	1310
Suits No. of doors	2/4 Panels
Track Type	Steel Black

External door	●
Internal door	○
Wardrobe doors	○
Cupboard doors	○
Glass Cabinet doors	○
Wall mounted track	○
Top mounted track	○
Floor fixed track	○
Top hung wheel	○
Bottom rolling wheel	○
Door side fix	○
End pivoting	○
Centre pivoting	○
Bottom guide	○
Top guide	○
End stop	○
Soft-close	○
Pelmet	○

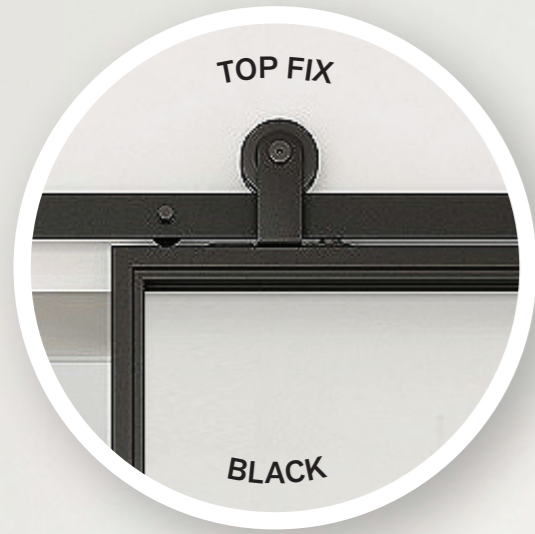
PACKAGED SETS

For Single Doors

TOP FIXED



BD42213BK: Suits openings up to 1200mm - Black



NEW KNOCK- DOWN BARN DOOR KIT

Crafted from aluminum with three frosted 4mm tempered glass panels, the knock-down barn door kit effortlessly merges modern construction with classic Barn Door aesthetics. Ideal for contemporary and rustic décors, the knock-down door kits feature essential components for effortless installation: track, rollers, door guide, 2 soft-close kits, and an external pull handle.

Conveniently packaged in a portable box, this DIY kit combines convenience and style.

APPLICATION

Suits:	1 door
Max. Door Width:	914mm wide
Door Thickness:	45mm



Internal



Single

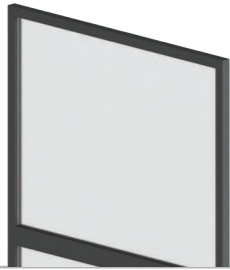
COLOURS



Black

KNOCK-DOWN BARN DOOR

FEATURES



DURABLE ALUMINIUM FRAME

Heavy-duty aluminium frame with a durable powder-coated black finish, ensuring long-lasting strength and a sleek appearance.

FROSTED GLASS

Tempered frosted glass combines safety and privacy with modern aesthetics, offering a sleek option for any space.

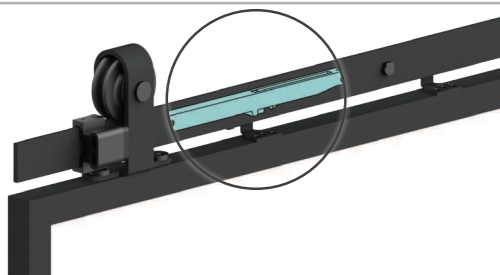
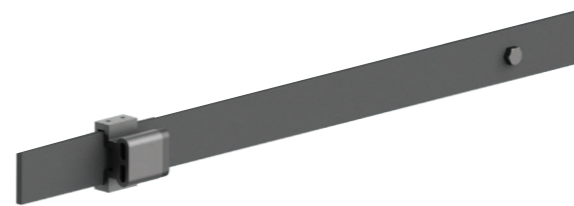


TOP FIX HANGERS

Robust, top-fix hangers with screws and anti-jump discs provide secure and reliable support. Designed for durability, they ensure smooth operation and prevent door misalignment.

STRONG, PRE-DRILLED & SIMPLE TRACK

Powder-coated, pre-drilled black steel track with wall mount spacers and fixing screws ensures a sleek appearance. Crafted for longevity and ease of installation.



QUIET & SAFE SOFT CLOSE

The kit comes complete with 2 soft close fittings to suit both open and closed positions. These fittings ensure smooth and quiet door operation for added convenience and comfort.

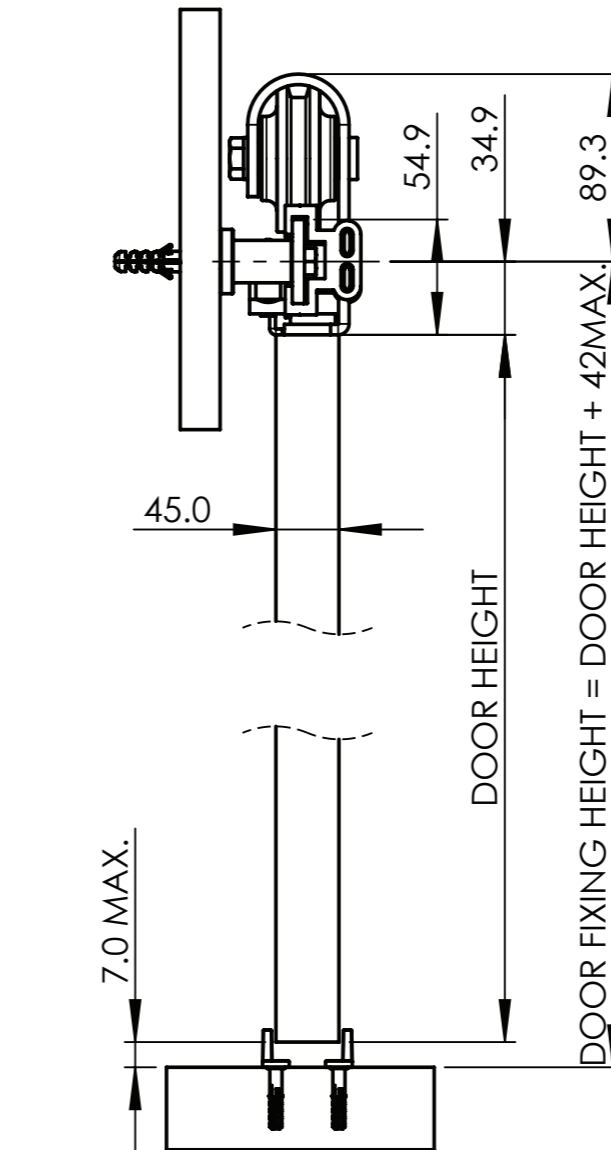
MODERN PULL HANDLE

A large, modern external pull handle complements the door and ensures easy operation. Stylish and functional, it adds a contemporary touch to this all inclusive kit.



TECH INFORMATION

ARCHITECTURAL DRAWINGS



END VIEW

TECH SPECS

●	Included Feature
○	Optional Extra

System Type	Sliding
Max. Weight Door/Panel	30kg
Door/Panel width (mm)	914mm
Door Thickness (mm) min.	45
Track Length (mm)	1830
Suits No. of doors	1
Track Type	Steel Black

External door	
Internal door	○
Wardrobe doors	○
Cupboard doors	
Glass Cabinet doors	
Wall mounted track	○
Top mounted track	
Floor fixed track	
Top hung wheel	○
Bottom rolling wheel	
Door side fix	
End pivoting	
Centre pivoting	
Bottom guide	○
Top guide	
End stop	○
Soft-close	○
Pelmet	

PACKAGED SETS

For Single Doors

TOP FIXED



BD368402BK: Aluminium & Glass Kit - Track & Soft Close - 3-section - Black frame

Cowdroy is an Australian company supplying industry leading products across residential and commercial properties.

Established in 1890, Cowdroy specialises in door tracking systems, weather seals, insect screen, replacement wheels & rollers and more products for a wide range of applications.

For all our product information visit the Cowdroy website at:
www.cowdroy.com.au

HEAD OFFICE SYDNEY

38 Redfern St
Wetherill Park, NSW 2164
Phone: (02) 9604 3000
Fax: (02) 9604 8129
Sales Fax: (02) 9609 3694

Perth

1 Modal Crescent
Canning Vale, WA 6155
Ph: (08) 9455 5354
Fax: (08) 9455 5461

WEBSITE

www.cowdroy.com.au

EMAIL

sales@cowdroy.com.au

NATIONAL CALL

1800 COWDROY (1800 269 376)

Christchurch NZ

19 Kilronan Place, Wigram,
Christchurch 8042
Phone: (03) 943 2060
Fax: (03) 943 2061

Auckland NZ

18 Kerwyn Ave, East Tamaki
Auckland 2013
Phone: (09) 274 7279
Fax: (09) 274 4453

cowdroy



Barn Door Range Brochure_04.07.2024

