

cowdroy

BI-FOLD BARN DOOR

INSTALLATION INSTRUCTIONS



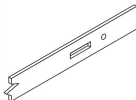
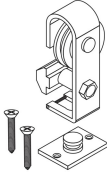

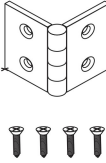
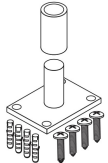


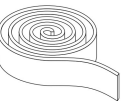
THANK YOU FOR YOUR SELECTION OF A COWDROY BI-FOLD BARN DOOR

This installation guide is based on mounting (up to) a 1200mm wide door (4x300mm panels) onto a square set opening (up to 1150mm wide). Some adjustments may be required depending on your actual door opening size and any architrave bordering the opening.

Read instructions fully before starting the installation of your barn door. Failing to follow the installation instructions may cause your door to function in an unsafe manner and may risk injury. Any modifications to the hardware will void the warranty and may cause the unit to function incorrectly.

When installing directly into a non-concrete wall, do not attempt to fix the track solely to the plasterboard or unsupported wall surface as this may not support the combined weight of the track and mounted door. The track must be installed onto a piece of solid wood backing (mounting board). Ensure the solid wood backing is secured into the structural supports of your wall using appropriate mounting screws. Use a stud finder where necessary to locate studs and secure safely.

Typical solid wood backing (mounting board) should be a 92mm x 18mm solid timber board, ideally around 100mm longer than your track length. Mounting board and screws are not included.

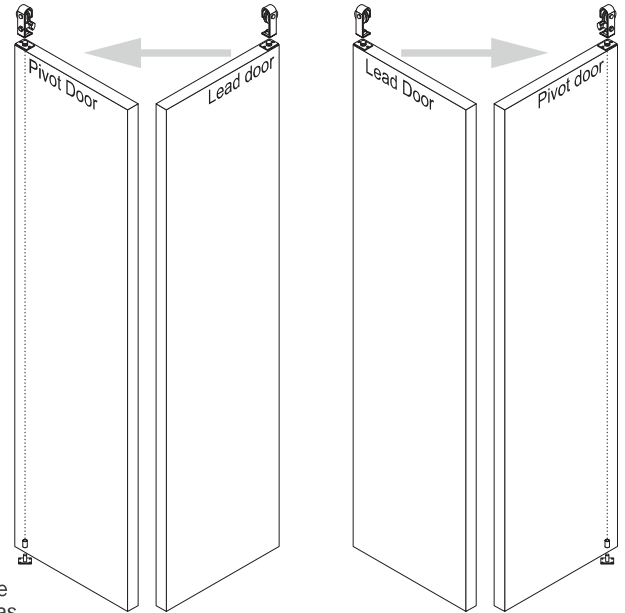
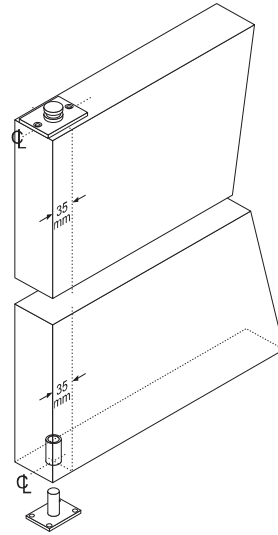
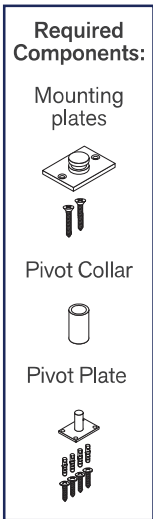
Kit	Track	Pivot Hanger	Rolling Hanger	Hinges	Bottom Pivot	Wall Fixing Hardware	Allen Key	Buffer Tape
Inclusions								
BD42213BK	1310mm (x1)	x 2	x 2	x 6	x 2	x 4	x 1	x 2



STEP 1.

DOOR PREPARATION

1.1 - Fix mounting plates to top of the door, flush with the end and centred to the door thickness as shown. Repeat for all 4 doors as shown.



1.2 - In the bottom of the pivot door, drill a 16mm diameter hole 35mm in from the door end and centred to the door thickness as shown.

1.3 - Fit the pivot collar into the hole. Repeat for both pivot doors.

1.4 - Do not fit the pivot plate at this stage.

STEP 2.

JOIN THE DOORS

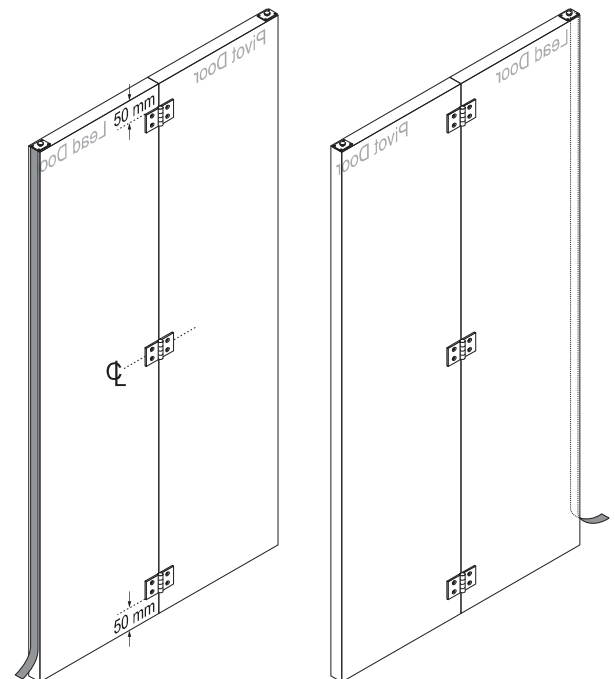
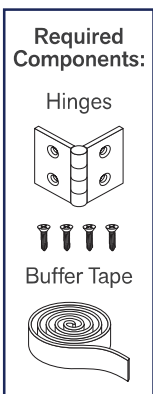
2.1 - Arranged in their required pairs, flip the doors over so as to fix the hinges from behind. Butt and align the doors, ensure the pivot and lead panels are on the correct side of each other (mounting plates to the outsides).

2.2 - Fix the top and bottom hinges at a minimum distance of 50mm* from the door edge. (*Nominal distance).

2.3 - Fix the middle hinge centred to the door height. Repeat for both pairs of doors, again ensure that the pivot and lead panels are on the correct side of each other. Your 2 pairs of doors now should mirror each other.

2.4 - If desired, apply the door buffer tape to the outside edges of the lead doors.

2.5 - Use of the buffer tape is optional and can be completed at the end if preferred.



STEP 3.

MEASURE AND PREPARE FOR TRACK LOCATION

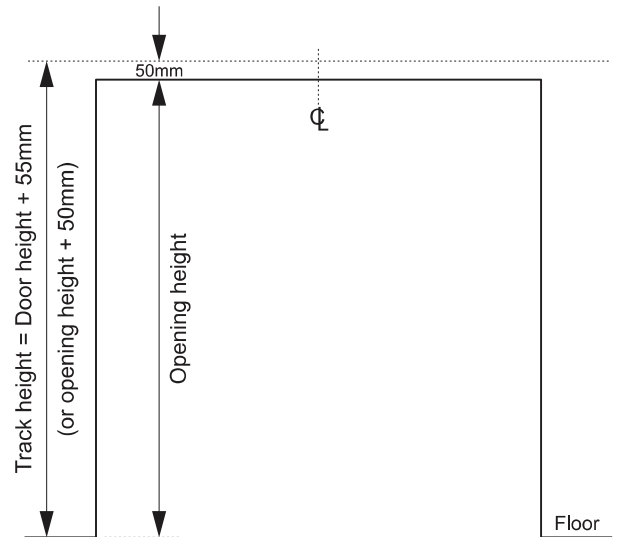
3.1 - Using a ladder, tape measure and level, find the centre height line position for the track at a height of your door plus 55mm (or opening height + 50mm).

3.2 - Measure from the floor up and, using a level, mark the centre height line with a pencil.

*For fixing the track to a:
CONCRETE WALL, go to STEP 4.



*For fixing the track to a:
NON-CONCRETE WALL, go to STEP 6.



STEP 4.

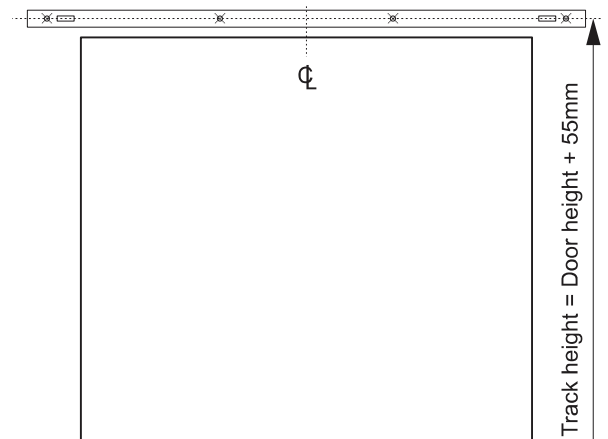
CONCRETE WALL PREPARATION

4.1 - Position the track on the centre height line, centred to the opening and use the track as a template to mark the mounting hole locations with a pencil.

4.2 Pre-drill the concrete at marked locations using a 10mm masonry drill bit.

(TIP: Temporarily install track with one end bolt. This will create a pivot point to easily level the track. Mark the rest of your holes)

Go to STEP 5.



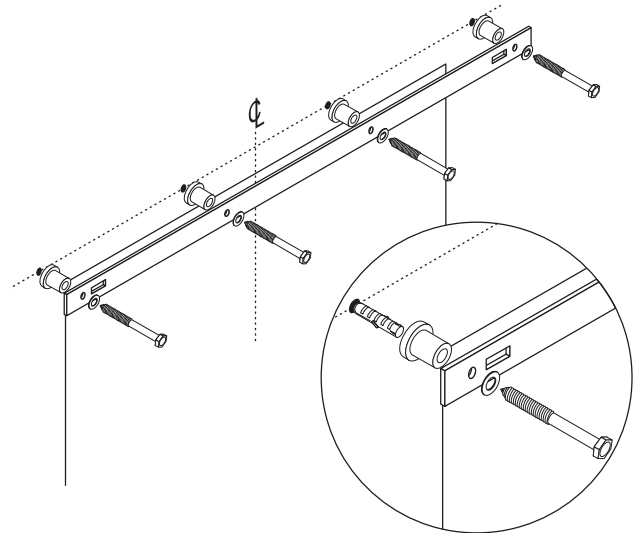
STEP 5.

CONCRETE WALL - TRACK FIXING

5.1 - Insert the wall plugs into the holes in the wall. You may need to tap in with a hammer.

5.2 - Install the track with bolts, washers and wall spacers, as shown, using a spanner.

Go to STEP 9.



Required Components:

Track



Wall Plugs



Bolts & washers



Wall Spacers



STEP 6.

NON-CONCRETE WALL - MARK TRACK HOLES ON MOUNTING BOARD

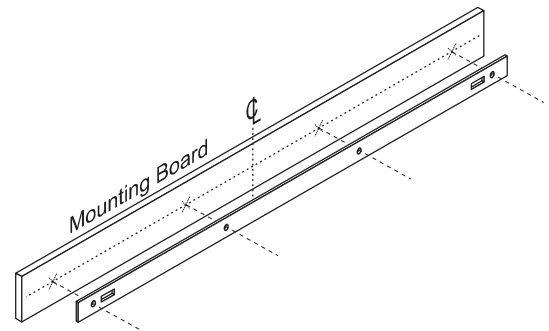
NOTE: Mounting board and screws not supplied

6.1 - Mark a centre line along the length of the mounting board.

6.2 - On a flat surface, centre the track on the mounting board (ensure the track is straight on the board and an equal distance from each end).

6.3 - Mark the track hole locations onto mounting board with a pencil.

Go to STEP 7.



STEP 7.

NON-CONCRETE WALL - ATTACHING THE MOUNTING BOARD

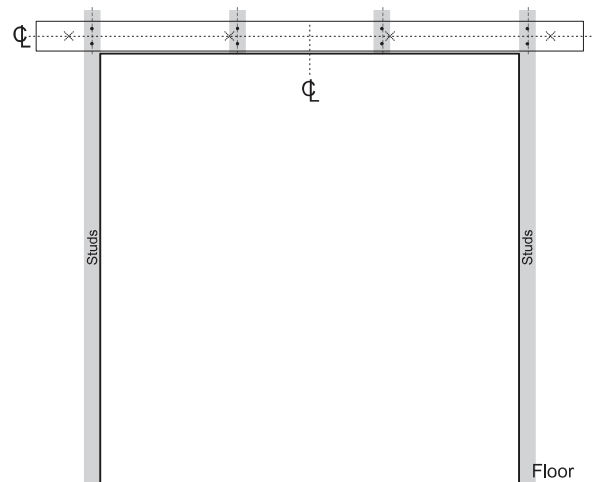
7.1 - Use a stud finder to find the framing material (studs) behind the wall and mark their locations.

7.2 - Position the mounting board on the wall ensuring it is level and centred on the centre line and the opening.

7.3 - Fix mounting board to studs with suitable screws, ensuring they do not interfere with the track fixing holes.

(TIP: Locate and install one screw at end of the mounting board first. This will hold one end of the board so you can move/pivot the free end and ensure the board is level as you install the other screws.)

Go to STEP 8.

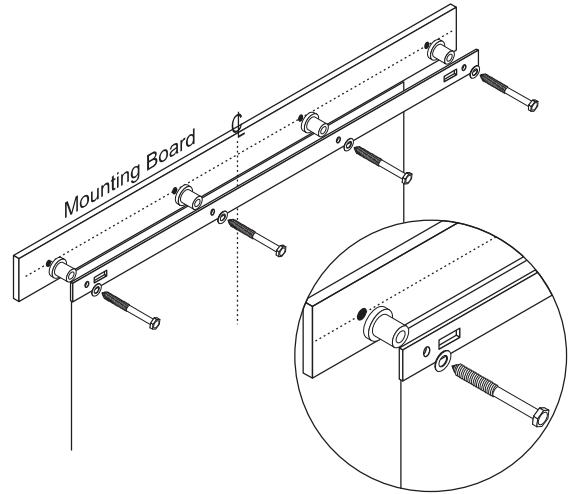


STEP 8.

NON-CONCRETE WALL - TRACK FIXING

8.1 - Drill pilot holes for track bolts into mounting board at locations marked in STEP 6.

8.2 - Install the track with bolts, washers and wall spacers, as shown, using a spanner.



Required Components:

Track



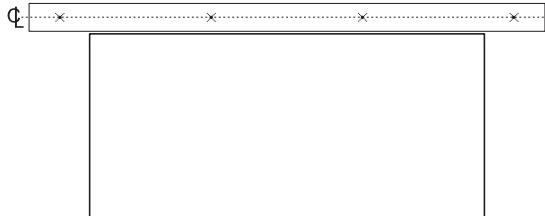
Wall Plugs



Bolts & washers



Wall Spacers



STEP 9.

FIT HANGERS TO DOORS

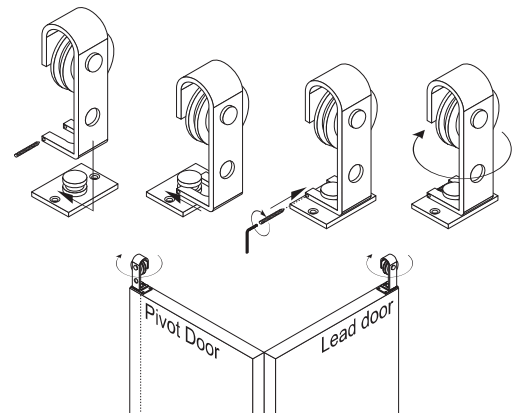
NOTE: Pivot Hangers have a hole in the face

9.1 - Locate the hanger onto the pivot plates as shown. Ensure the hanger is "captured" beneath upper pivot disc and inserted until fully engaged.

9.2 Using the allen key provided, fully insert the locking grub screw until it completely spans the hanger opening.

9.3 Repeat for all 4 hangers, taking care to note the pivot hangers from the lead hangers.

9.4 The hangers should rotate freely on the pivot plates.



Pivot Hangers



Lead Hangers



STEP 10.

HANG THE DOORS

10.1 - With the hangers securely mounted to the pivot plates, lift the doors up and onto the track, ensuring the rollers are seated in their groove. Tilt the bottom of the doors away from the wall and locate the bottom pivot plates loosely into the pivot collar beneath each pivot door.

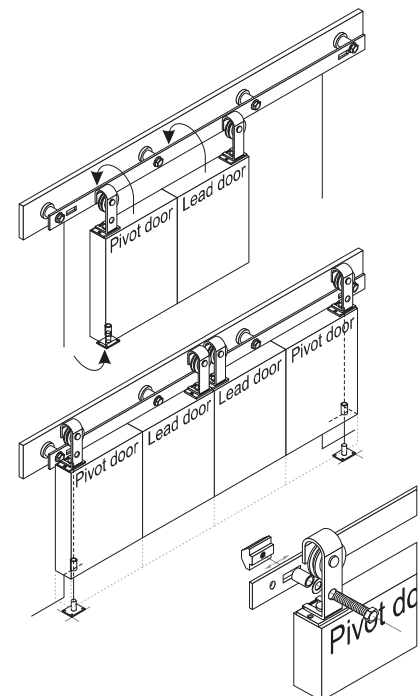
10.2 - Align the doors in their fully closed position and ensure they are plumb and centred to the door opening. The pivot hangers should be aligned to the square slots at each end of the track.

10.3 - Mark the location of the bottom pivot plate on the floor. Remove the doors from the track and fix the bottom pivot plate in the required location.

10.4 - Refit the doors, this time ensuring that the pivot collar locates onto the bottom pivot.

10.5 - Align the pivot hanger with the square slot in the track end and install the pivot clamp set as shown. Again, ensuring that the doors are plumb. Tighten pivot clamps.

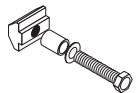
10.6 - Repeat for both sets of doors.



Bottom Pivot Plate



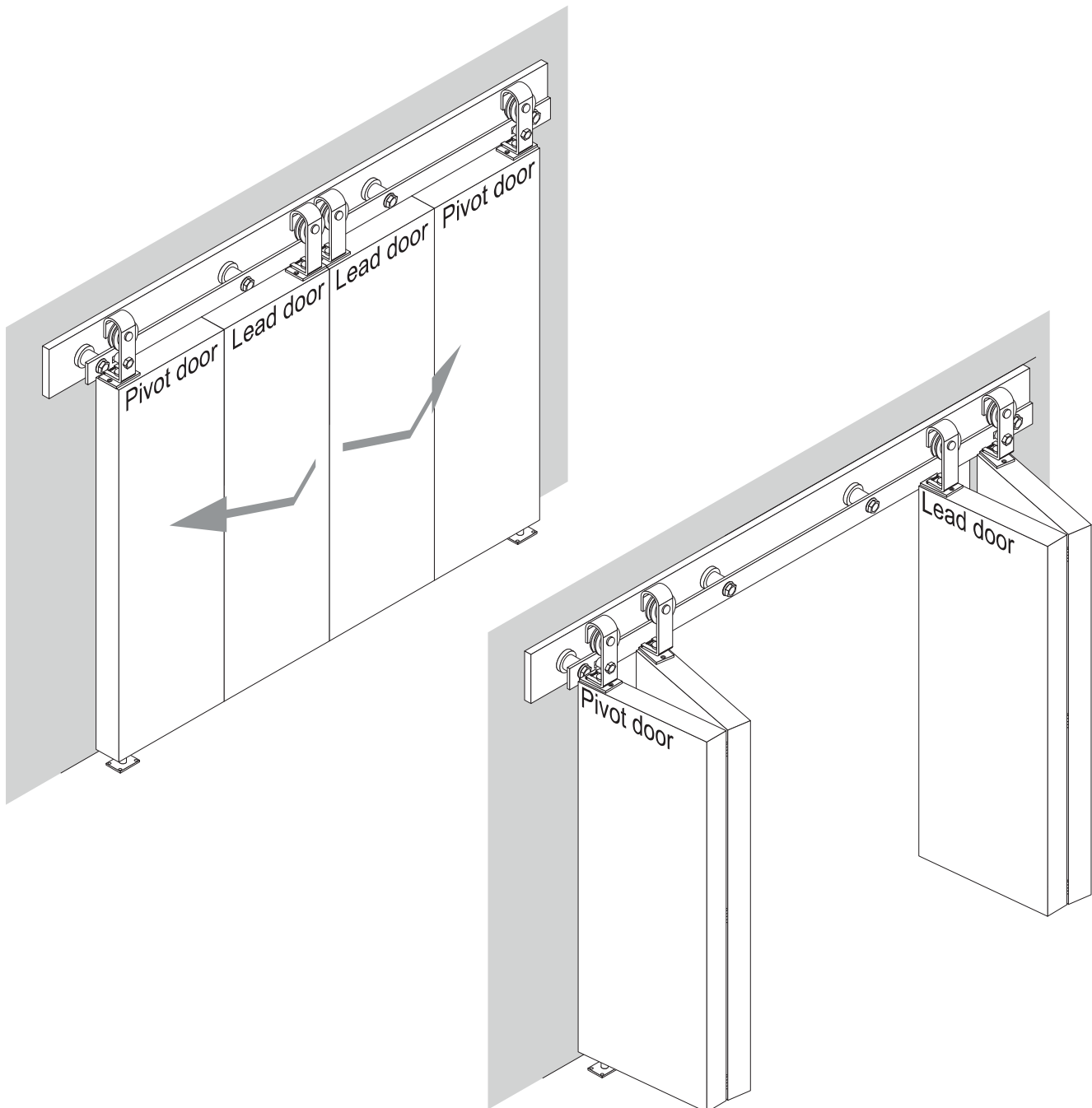
Pivot Clamp Set



STEP 11.

FINAL CHECK

- 11.1 - Double-check that all nuts, bolts and screws are tight.
- 11.2 - Open and close your doors to ensure there are moving freely.
- 11.3 - Your doors should now be installed and functioning.
- 11.4 - You can now fit any additional hardware, such as handles.



Cowdroy is an Australian company supplying industry leading products across residential and commercial properties.

Established in 1890, Cowdroy specialises in door tracking systems, weather seals, insect screen, replacement wheels & rollers and more products for a wide range of applications.

For all our product information visit the Cowdroy website at:
www.cowdroy.com.au

HEAD OFFICE SYDNEY

38 Redfern St
Wetherill Park, NSW 2164
Phone: (02) 9604 3000
Fax: (02) 9604 8129
Sales Fax: (02) 9609 3694

Perth

1 Modal Crescent
Canning Vale, WA 6155
Ph: (08) 9455 5354
Fax: (08) 9455 5461

WEBSITE

www.cowdroy.com.au

EMAIL

sales@cowdroy.com.au

NATIONAL CALL

1800 COWDROY (1800 269 376)

Christchurch NZ

19 Kilronan Place, Wigram,
Christchurch 8042
Phone: (03) 943 2060
Fax: (03) 943 2061

Auckland NZ

18 Kerwyn Ave, East Tamaki
Auckland 2013
Phone: (09) 274 7279
Fax: (09) 274 4453

cowdroy



Bi-Fold Barn Door Installation_17.01.2024_1.4

