



# The perfect finish for any home.



**CAPRAL**  
ALUMINIUM



# Get ready for one of the fastest and simplest fencing and privacy screening systems.

Capral's unique Quiklok™ grip-spacers, available in either 10mm or 20mm depths, allow you to securely stack your slat system effortlessly like a grid. They are easily adaptable to accommodate different slat heights, as well as being stackable to provide increased spacings where required.

They conveniently face fill the cavity between the slat and channel, meaning no additional adaptors need to be inserted post project leaving no sneaky spots for spiders to start breeding.

Pole position is enhanced with the Quiklok™ Adaptor Channel allowing you to create corners quickly and easily. You can make a slat fence anywhere, anytime as the adaptor can be fitted to any secure surface such as timber, brickwork and of course aluminium.

Love the aerodynamic look? Select the Quiklok™ Elliptical Louvre Blade to provide your screen with the truly unique look of louvres.



▲ Pattern Stacking

▲ Elliptical Louvre Blades

▲ 65mm Powdercoat slat

▲ 100mm DecoWood Slat

## You'll finish on top with Quiklok's™ features.

- **Unique slat stacking system and concealed fixings** for a streamlined and aesthetically pleasing assembled product.
- **Various slat sizes** available including 38mm, 65mm and 100mm heights.
- **Genuine 67mm elliptical louvre blade option** with dedicated End Cap adaptors. Blades overlap at a 140° angle / 50mm pitch providing privacy and ventilation.
- **Dedicated 10mm and 20mm Stacking Spacers** to achieve desired slat spacing.
- **Universal Quiklok™ Adaptor extrusion fits to any secured surface**, enabling the slat system to be attached to any timber, brickwork or aluminium structure, where a screen is required. Teamed with aluminium surround frames to create custom panel modules and gates.
- **Dedicated End Caps for the Quiklok™ Adaptor extrusion.** Functions to capture the stacked slats and neaten the final appearance of the assembly.
- **Spacer Support Tool** available to assist with manufacture.
- **Dedicated components** are available to achieve square and mitre cut joints for surround framing.
- **Dedicated End Caps** for terminating 50mm x 50mm posts, creating a professional finish.
- **Self drilling fixings** specific for slat assembly requiring no pre-drilling.
- **Quiklok™ Components** produced in a durable UV stabilised material for long life.
- **Various slat and louvre finishing options** including anodised, powdercoated colours and timber look.
- **Pattern Stacking** is possible using different height slats or by adding the look of louvres to top off your Quiklok™ Screen.

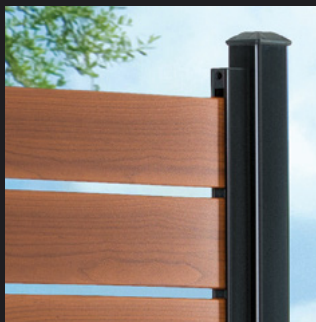
## Team up with Capral Quiklok™ for a winning look.



### Now that's fast

The Capral Quiklok™ system has been tested to withstand 374km/hr winds, to ensure safety is paramount under extreme conditions.

See technical manual for full performance data.



### No fixings required for speedy assembly

Stack your slats without any fixings with our unique stacking spacers holding the slat securely in place. An optional hidden fixing hole exists within the spacer to accommodate extra large screens or for more rigidity.



### Choose your spacing

Our unique grip spacers are set at 10mm and 20mm but are also stackable to give a space increase in your screen when desired. Use the optional Quiklok™ Spacer Tool to ensure perfect fixing every time.



### Window Screens for shading or privacy

The Capral Quiklok™ Screening system provides a cost effective solution for both. The system can be either manufactured on-site or in the factory in advance.



### Utility enclosures

Provide a barrier to rooftop air conditioning vents or give gated property access with a secure slat or a louvre Quiklok™ screen.



### Styling flexibility

Enjoy the smart looks of elliptical blade louvres, slat fencing or choose a 50/50 combination of either slat styles or colours.

It's all possible with the flexibility of the Capral Quiklok™ system.



### Brick Fence infills

Connect the Quiklok™ fencing adaptor directly onto brickwork and you're ready to stack your slats.

The adaptor can be applied to carport posts to give a semi-protected area.




## Designed for styling impact.

Capral Quiklok™ Fencing and Privacy Screening System comes in a range of stocked colours.

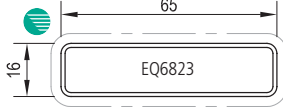
STOCKED COLOURS AVAILABLE	NSW	VIC	QLD	Nth QLD	SA	WA	TAS	NT
Mill Finish	■	■	■	■	■	■	■	■
Black Satin	■	■	■	■	■	■	■	■
Pearl White Gloss		■	■	■		■	■	
Woodland Grey Matt		■	■	■		■	■	■
Monument Satin	■				■	■		
Evening Haze								■
Sable Black								■
Timber Finish - Western Red Cedar	■	■	■	■	■	■	■	

Other finishes available by request.

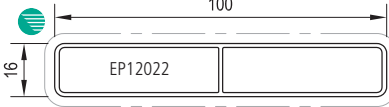
## Designed for styling flexibility.



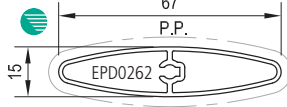
Slat 38 x 16 x 1.6mm  
P.P. 106mm, A.P. 106mm



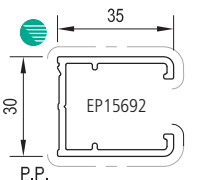
Slat 65 x 16 x 1.2mm  
P.P. 157mm, A.P. 157mm



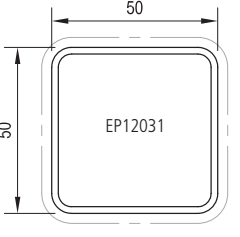
Slat 100 x 16 x 1.2mm  
P.P. 227mm, A.P. 227mm




Elliptical Blade: 67 x 15 x 1.2mm  
P.P. 144mm, A.P. 144mm



Quiklok™ Fencing/Screening Adaptor  
P.P. 147mm, A.P. 220mm



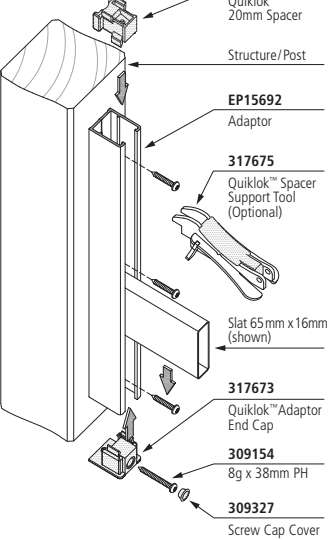
Square Hollow (50 x 50 x 2mm)  
P.P. 190mm, A.P. 190mm

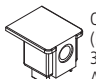

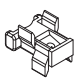
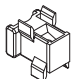
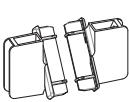

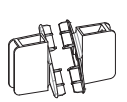
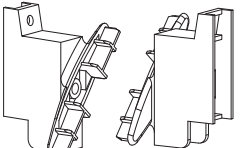
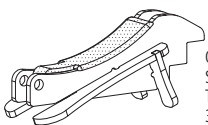


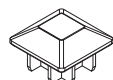
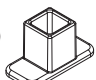





Tested to withstand 374km/hr winds  
See technical manual for full performance data

P.P.= Paint Perimeter  
A.P.= Anodised Perimeter

## Designed for fast and effortless assembly with all components needed.



-  Quiklok™ Adaptor End Cap (50 Pack)  
317673 - Black  
Accepts 309327
-  Screw Cap Cover (each)  
309327 - Black  
Fits with 317673
-  Quiklok™ 10mm Spacer (100 pack)  
317671 - Black
-  Quiklok™ 20mm Spacer (100 pack)  
317672 - Black
-  **NEW** Quiklok™ 65mm Slat Adaptors LH & RH (50 Pairs)  
320001 - Black  
Suits EQ6823
-  **NEW** Quiklok™ 100mm Slat Adaptors LH & RH (50 Pairs)  
320002 - Black  
Suits EP12022
-  **NEW** Quiklok™ Elliptical Blade Adaptors LH & RH (50 Pairs)  
320003 - Black  
Suits EPD0262
-  Quiklok™ Elliptical Blade Adaptors LH&RH (50 Pairs)  
317674 - Black
-  Optional Quiklok™ Spacer Support Tool (each)  
317675
-  Connection Bracket 50mm Post (each)  
301620  
Fits EP12031
-  Corner Stake 50mm Post (each)  
726324  
Fits EP 12031
-  Plastic End Cap 50mm Post (each)  
321921  
Fits EP12031
-  Cast Post Foot 50mm Post (each)  
301405  
Fits EP12031
-  8g x 38mm PH Screw S/Steel (200 pack)  
309154  
Used with Quiklok™ Adaptor End cap
-  10g x 25mm PH Screw S/Steel (100 pack)  
300059  
Used with Quiklok™ Elliptical Blade
-  8g x 25mm PH Screw 'Self Drilling' Plated (1000 pack)  
317676  
Used with Quiklok™ 10mm & 20mm Spacers

Always consult a building design professional to ensure that the Capral Quiklok™ Fencing and Privacy Screening system is suitable for the purpose intended. A full fabricator technical manual is available for this product. It can be viewed on [www.capral.com.au](http://www.capral.com.au) or contact 1800 ALUMINIUM (258 646).

Some images used for illustrative purposes only. January 2020.

**CAPRAL**  
ALUMINIUM

