

CL100 FlushTurn



CL100 FlushTurn

The CL100 FlushTurn, crafted from high-quality brass, perfectly complements other circular hardware for hinged doors and is specifically designed for cavity sliding doors.

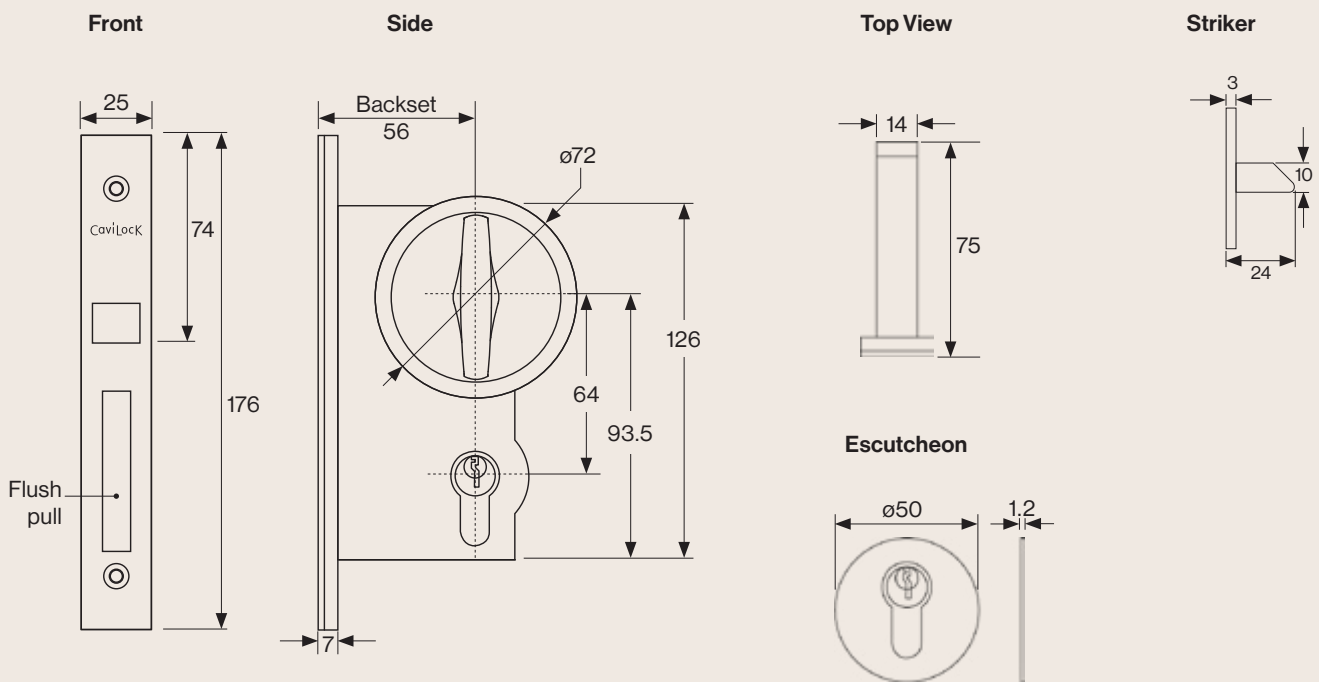
Its shallow fitting depth and positive turn action make it a popular choice for both latching and non-latching applications.

Paired with the CL100 Mortice Lock and Euro Profile Cylinder, it offers an attractive and secure medium security option.

Features

- Ultra-durable and corrosion-resistant construction
- Key locking may be added to any CL100 Flush Turn handle with the addition of a Euro Profile cylinder
- Suitable for cavity slider or surface sliding doors
- **Minimum door thickness: 37mm**

Product Specifications



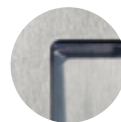
Configurations

CL100A1004	Satin Chrome	FlushTurn - Key/Key
CL100A1005	Polished Brass	
CL100A9004	Satin Chrome	FlushTurn - Latching Only
CL100A9005	Polished Brass	

Construction

Case	Diecast Zinc
Internal Parts	Bronze/Brass
Screws, springs etc	Stainless Steel
Faceplate & striker	Brushed Stainless Steel or Brass

Finish Options



Satin Chrome



Polished Brass

© All copyright and other property in this document is reserved by Cavity Sliders Ltd. Details and specifications are subject to change without notice. Whilst all care is taken to ensure the accuracy of all information, no responsibility will be accepted for any errors or omissions. Drawings are not to scale. Dimensions are in mm. CaviLock® CL100 FlushTurn® (O.D. 1995). 10/2024

CavitySliders.com

sales.aus@cavitysliders.com.au

1300 975 433

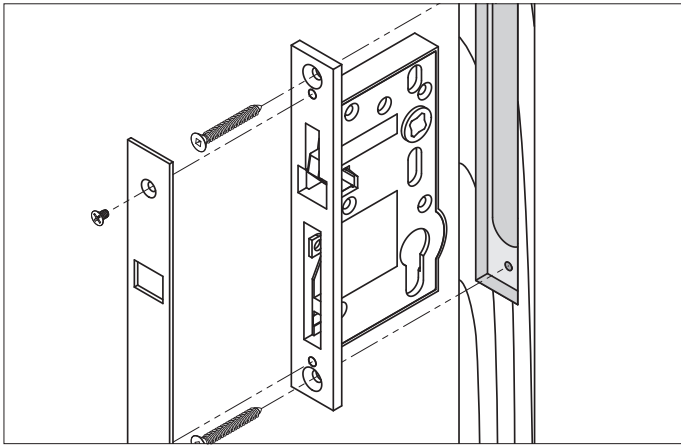


Technical Detail

CL100 Mortice Lock Features

The CL100 Mortice Lock is a versatile mortice that has many different internal and external hardware options.

- Suitable for pocket doors and surface sliding doors
- Easy to operate
- Corrosion-resistant
- For use with timber or aluminium doors



Key Locking

Key locking may be added to the CL100 Flush Turn with the addition of a Euro Profile cylinder, specified as either KA (Keyed Alike) or KD (Keyed to Differ).

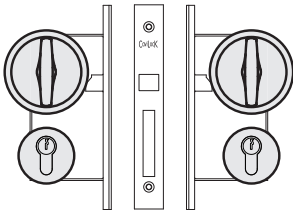
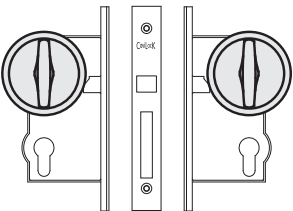
Please note that this specification must be done at time of order.

Flush Pulls

CL100 FlushTurn lock cases come with a built-in flush pull, designed for use on doors which slide completely inside a wall.



CL100 FlushTurn Product Codes

Function		Finish	Code
FlushTurn Key/Key		Satin Chrome	CL100A1004
		Polished Brass	CL100A1005
FlushTurn Latching Only		Satin Chrome	CL100A9004
		Polished Brass	CL100A9005

© All copyright and other property in this document is reserved by Cavity Sliders Ltd.
 Details and specifications are subject to change without notice. Whilst all care is taken to ensure the accuracy of all information, no responsibility will be accepted for any errors or omissions.
 Drawings are not to scale. Dimensions are in mm. CaviLock® CL100 FlushTurn™ (O.D. 1995). 11/2024

CavitySliders.com

sales.aus@cavitysliders.com.au

1300 975 433



Specs and Instructions

