



EVOLUTION PREMIUM



Floor to Ceiling - Zero clearance cavity unit.

INSTALLATION INSTRUCTIONS



Components supplied with cavity unit

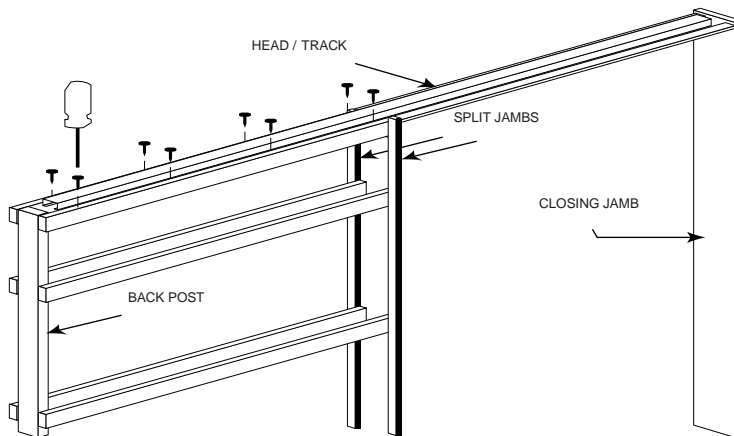
- | | |
|---------------------------|----------------------------------|
| 1 x Head/ track | 1 x Left hand door guide |
| 2 x 4 wheel assemblies | 1 x Right hand door guide |
| 2 x Wheel mounting plates | 1 x Single door guide (GBR door) |
| 1 x Cavity door release | 1 x Allen key |
| 1 x Assorted screw pack | |

Prepare the opening

Unit size is tight, allow extra for packing when preparing the opening.
 Overall unit height = Floor level (slab/sheet) to underside of ceiling plus 50mm
 Overall unit width for Flush jamb = 2 x Door plus 50mm
 Door height Calculation = Finished floor to underside of ceiling less 15mm

1. Installing the cavity

- 1.1 Fit and screw head/track to top of cavity unit. (6/8G x 50mm)
- 1.2 Fix closing jamb to head/track (jamb supplied if architrave fixout)
- 1.3 Stand the assembled cavity unit into the prepared frame opening, make sure split jambs are plumb, pack and fix through back post of cavity unit into house frame. (4/10G x 85mm)
- 1.4 Level the head/track and fix through into house frame. (4/8G x 50mm)
- 1.5 Plumb closing jamb, pack and nail fix through to house frame.



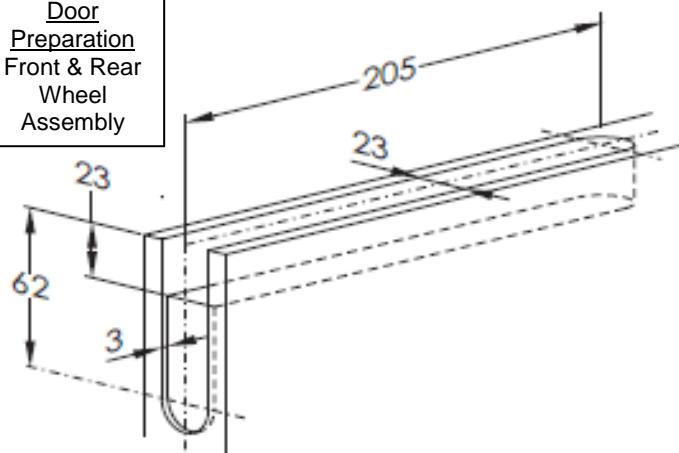
IMPORTANT

At this stage make sure the temporary spacer blocks, (located between the split jambs) remain in place during lining or tiling to prevent distortion of split jambs. **These blocks should only be removed when installing the door.**

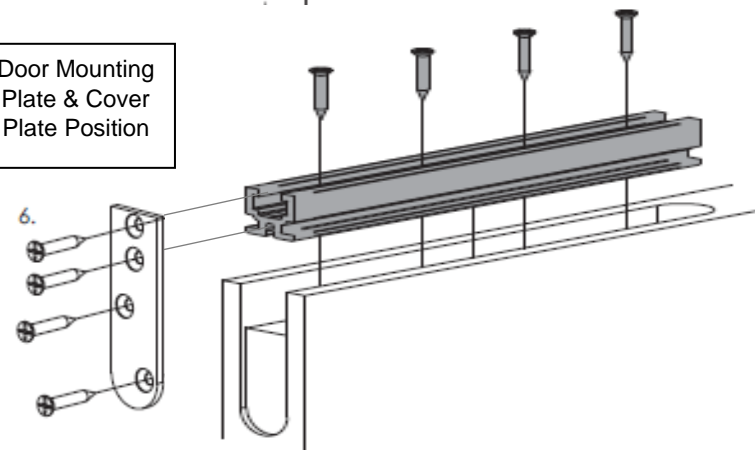
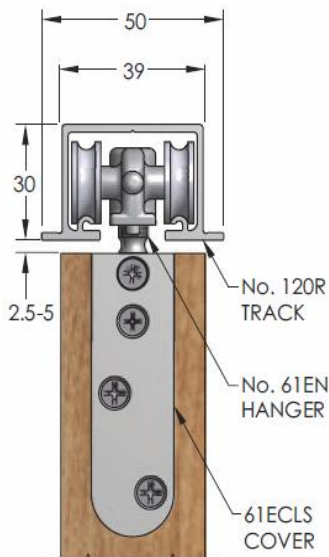
2. Door Preparation

- 2.1 Check the door is straight and free of any imperfections. Door must be fully sealed according to Hume Doors & Timber guarantee.
- 2.2 Prepare the door top rail for the door mounting plates (factory prepared if requested with door order)
- 2.3 Attach the door mounting plates to the door using screws provided.
- 2.4 Fit the Evolution Premium "Touch" cavity door release to the rear of the door by drilling a 22mm hole x 70mm deep at 1020mm from the bottom edge of the door, insert the unit and tighten screws provided.

Door Preparation
Front & Rear
Wheel
Assembly

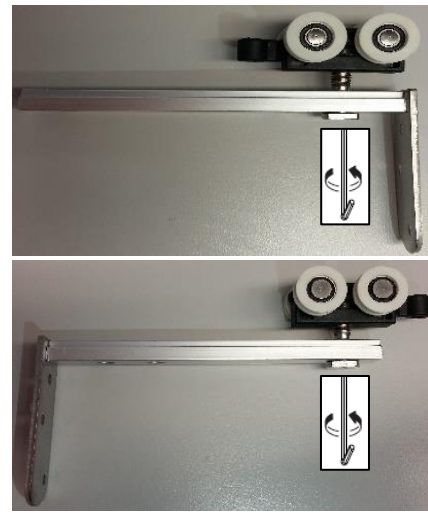


Door Mounting
Plate & Cover
Plate Position



3. Installing the door

- 3.1 Check that no fixings or other obstructions are protruding into the cavity that may damage the door.
- 3.2 Fit the rear wheel carriage onto wheel plate in the hole closest to the outside edge of the door, remove the wheel access section using the allen key, slide wheel assembly into the track, adjust the clearance to 5mm below the track to the top edge of the wheel plate.
- 3.3 Position the door at 45 degrees to the track, insert the wheel plate into the door mounting plate, fit the cover plate and tighten all screws, slide the door halfway into the cavity.
- 3.4 Fit the front wheel carriage onto the wheel plate in the hole closest to the centre of the door, insert the wheel assembly into the track, lift the door and slide the wheel plate into the mounting plate leaving the adjusting screw exposed.
- 3.5 Adjust the height of the door parallel to the track using the allen key, check the door is plumb against closing jamb and adjust height as required, fit the cover plate and tighten all screws.
- 3.6 Fasten the selected door guides at the bottom of split jambs, adjust until the door slides evenly and smoothly into the cavity unit.

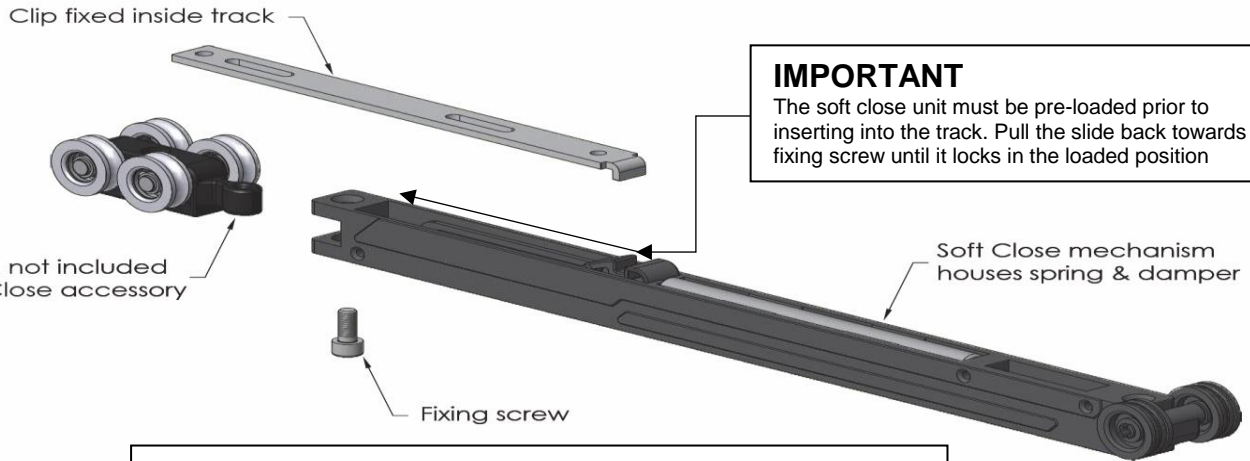
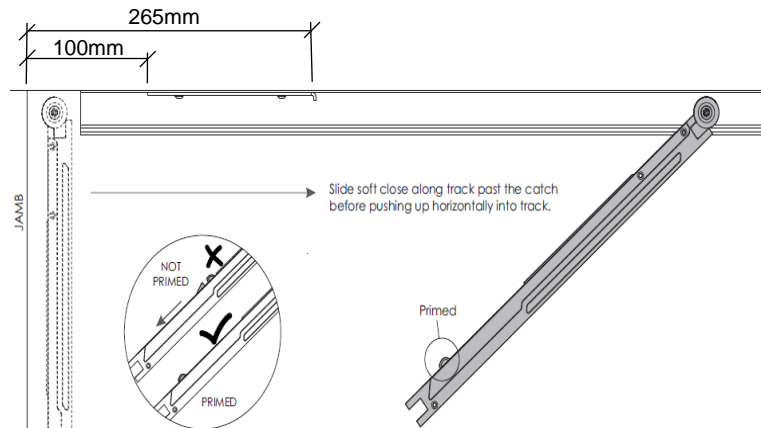


Rear Wheel Assembly
Wheel Plate
Hole Position

Front Wheel Assembly
Wheel Plate
Hole Position

4. Installing the soft close unit

- 4.1 The soft close unit should be fitted prior to inserting the front wheel assembly (step 3.4)
- 4.2 Load the spring by retracting the slide, Insert the soft close unit into the track, wheel end first with the spring side down.
- 4.3 Fasten the soft close unit to the wheel assembly using the fixing screw
- 4.4 Follow step 3.4 & 3.5
- 4.5 Adjust the resting position of the door by loosening the clip bracket (factory fitted inside the track), move the bracket forward or back to suit the closing jamb, tighten the adjusting screws when the door stops in the correct position.
- 4.6 With the door in the correct closing position, slide the door back into the cavity and fit an additional screw into the clip bracket to lock the bracket in position.



Soft Close Unit & Front Wheel Assembly Set Up

