



# FRONTIER BARN DOORS SLIDING BARN DOOR SYSTEM

---

Version No: 3



THE PERFECT BALANCE OF STYLE AND FUNCTIONALITY



# FRONTIER

## BARN DOOR SLIDING SYSTEM



## PERFECT FOR BIG OPEN SPACES

---

Barn doors are not just for barns, from the countryside these wide sliding doors have entered modern houses to become popular interior decor pieces. From cosy hide away bedrooms to rustic home office doors and unique wardrobe solutions, the Frontier sliding system is the perfect room divider.



# FRONTIER

## BARN DOOR SLIDING SYSTEM

### FRONTIER TRACK SYSTEM



#### FEATURES:

- Easy to install
- Perfect for DIY
- High quality powder coat finish
- Quiet operation on nylon wheels

The Frontier Barn Door Sliding System incorporates an architecturally designed track system of the highest quality. The Frontier range offers a classic barn door look with exposed steel straps. Nylon wheels allow for smooth running along a flat bar track.



#### PRODUCT DETAILS

Material	Steel
Track Length	2000mm
Door Thickness	35-40mm
Maximum Door Width	1000mm
Maximum Opening Width	900mm (square set)
Maximum Door Weight	80kg
Finish	Black Powder Coat
Application	For doors up to 1000mm wide only. 2 Kits required for double door installation.
Fixing	Frontier Sliding System includes: Fixing screws to suit masonry and plasterboard walls. Tracks are pre-drilled.
To calculate door size	Height = Opening Height + 50mm Width = Opening width + 100mm



#### FRONTIER TRACK AND FITTINGS (GST Additional)

<b>Track to suit doors up to 1000mm wide</b>	
1 Door (Single)	160
2 Door (Double)	320
<b>Track to suit doors over 1000mm up to 1500mm wide</b>	
Track and extension kit	310



# FRONTIER

## BARN DOOR SLIDING SYSTEM

### FRONTIER STANDARD DOORS

- Modern or traditional designs that add real value to your home
- Semi-solid door construction provides strength and stability
- Deep linear rout designs create an authentic barn door look
- Available in PCMDF for paint or SPM for Stain
- The cost effective barn door solution
- Made to measure customised designs and sizing available



**FBDS1**



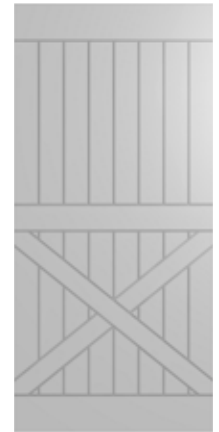
**FBDS2**



**FBDS3**



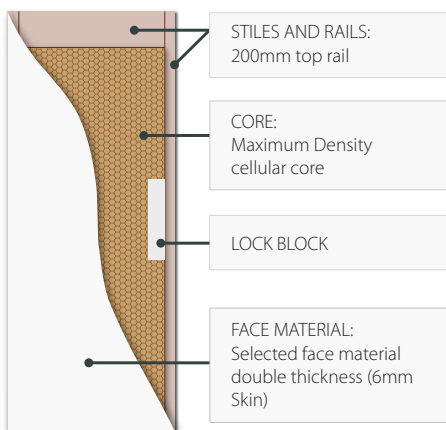
**FBDS4**



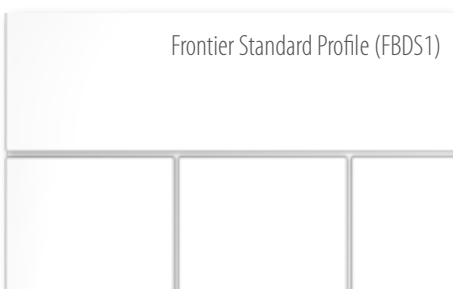
**FBDS5**



#### CONSTRUCTION TYPE: Frontier Premium Hollow Core (SG)



Frontier Standard Profile (FBDS1)



#### FRONTIER STANDARD DOOR (GST Additional)

Frontier Standard Doors	2150x1000x35
FBDS1	330
FBDS2	330
FBDS3	330
FBDS4	330
FBDS5	330

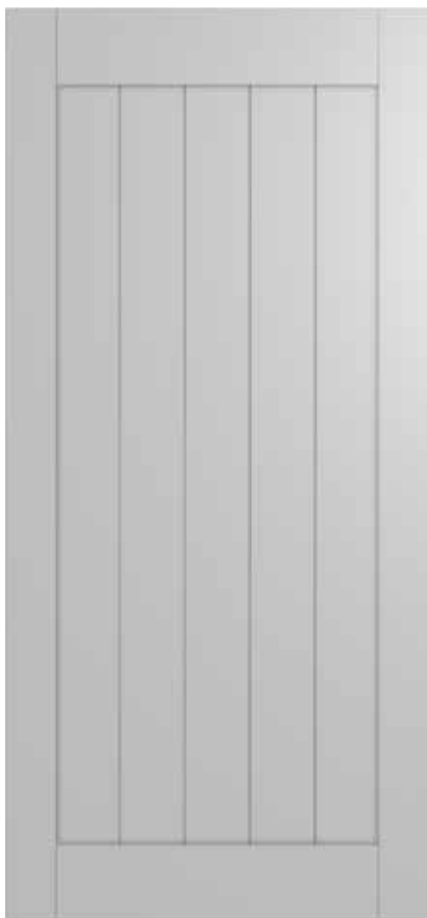
#### Made To Order

Grooved Bottom Rail 20mm x 10mm	Additional \$55
Pre-drill roller holes (4 x 10mm diameter)	Additional \$55
SPM Stain Grade	Additional \$175
Min 2150x720x35 - Max 2400x1200x35	Additional \$337
Cancellations or alterations for made to order doors will only be accepted on the day of ordering	
*Frontier Track/Sliding System sold separately	



# FRONTIER

## BARN DOOR SLIDING SYSTEM



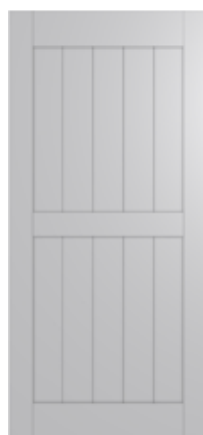
**FBDU1**

## FRONTIER **ULTIMATE** BARN DOOR

- Crisp and clean designs to create an authentic barn door look
- 5 Classically modern designs
- Frame and Infill constructed shaker style door
- Available in PCMDF for paint
- The Ultimate barn door solution



**FBDU2**



**FBDU3**



**FBDU4**

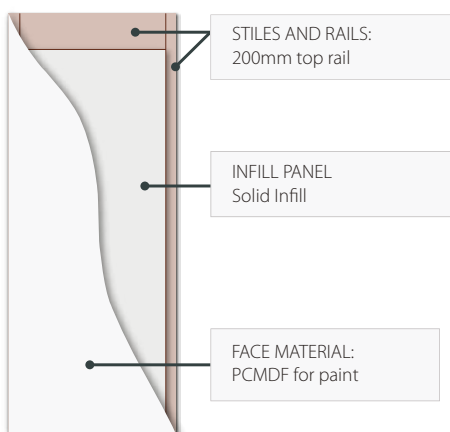


**FBDU5**



### CONSTRUCTION TYPE:

Frontier Ultimate Solid Infill Core



Frontier Ultimate Profile (FBDU1)

### FRONTIER ULTIMATE DOOR

(GST Additional)

Frontier Standard Doors	2150x1000x35
FBDU1	440
FBDU2	440
FBDU3	440
FBDU4	440
FBDU5	440

### Made To Order

Grooved Bottom Rail 20mm x 10mm Additional \$55

Pre-drill roller holes (4 x 10mm diameter) Additional \$55

Special sizes not available

Cancellations or alterations for made to order doors will only be accepted on the day of ordering

\*Frontier Track/Sliding System sold separately



# FRONTIER

## BARN DOOR SLIDING SYSTEM



**FBDRG4 (Grey)**

### FRONTIER **RUSTIC** BARN DOOR

- Vintage barn door decor
- 3 Unique Rustic designs
- Robust PVC wrapped shaker style door
- Pre-finished - No painting required
- Pre-Drilled roller holes & Grooved bottom rail



**FBDRB2 (Brown)**

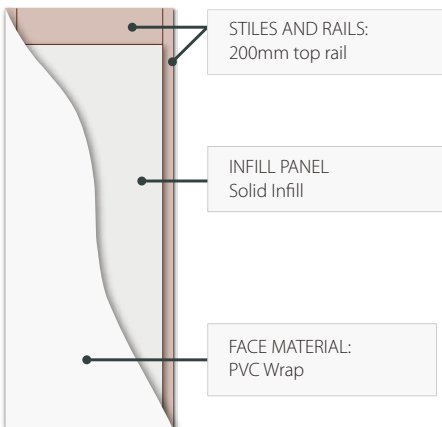


**FBDRW4 (White)**



#### CONSTRUCTION TYPE:

Frontier Rustic Solid Infill Core



Frontier Rustic Profile (FBDRW4)

#### FRONTIER RUSTIC DOOR

(GST Additional)

##### Frontier Standard Doors

**2150x1000x35**

FBDRB2

590

FBDRW4

590

FBDRG4

590

Bottom rail is pre-grooved 20mm x 10mm

Roller holes are pre-drilled

Special sizes not available

Cancellations or alterations for made to order doors will only be accepted on the day of ordering

\*Frontier Track/Sliding System sold separately



# FRONTIER

## BARN DOOR SLIDING SYSTEM

### INSTALLATION INSTRUCTIONS

#### IMPORTANT: BEFORE YOU BEGIN

This guide is designed to install a **1000mm** wide door onto a typical **900mm** square set opening. Some changes may be required depending on your situation. Read instructions fully before starting the installation of your barn door. Not following the installation instructions can cause the unit to work in an unsafe manner and cause injury.



How to install Frontier Barn Doors Sliding System Video: [www.humedoors.com.au/diy/16](http://www.humedoors.com.au/diy/16)

The Frontier Barn Door Sliding System has been designed to work as a total system. Any modification to the door or the hardware will void the warranty and may cause the unit to work incorrectly.



**HUME SAFETY**  
work safe - home safe

When installing directly into a **non-concrete wall**, do not attempt to fix the track solely to the plasterboard or any wall surface as this may not support the weight of the track and mounted door. The track must be installed onto a piece of solid wood blocking (mounting board) using mounting screws.



**CAUTION**  
Use correct lifting  
2 person lift

Ensure the mounting board is secured into the structural surface. Use a stud finder where necessary to locate studs and secure safely. Typical mounting board should be a 2100x92x18mm solid timber board (mounting board and screws are not included).

#### TRACK COMPONENTS

2x Face mount roller	2x Door Stoppers	2x Anti-jump Block	2x Screws for floor mounted door guide	2x Anchor for Floor mounted guide	1x Internal Floor-mounted Door Guide
	1x 2m Track	5x Wall Spacer	5x Anchor for wall bolts	5x Bolts for wall installation	5x Washer

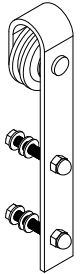
#### TOOLS NEEDED

Cordless Drill	Phillips Head Screw Driver	Tape Measure	Pencil	Spanner	Hammer	Level



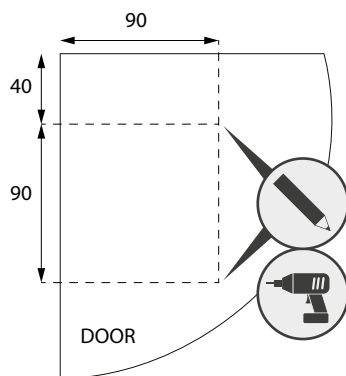
# FRONTIER BARN DOOR SLIDING SYSTEM

## 1. ATTACH THE ROLLERS TO DOOR

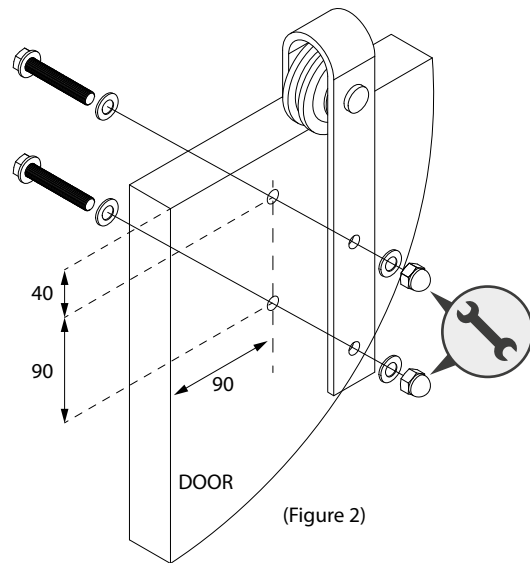


Face mount roller (x2)

- 1.1. Mark the first hole 90mm from the side edge and 40mm down from the top edge of the door with a pencil (Figure 1).
- 1.2. Mark the second hole 90mm further down from the first hole (Figure 1).
- 1.3. Pre-drill both holes using a 10mm drill bit (Figure 1).
- 1.4. Using a spanner, fix the roller in place. Ensure the roller is secure and straight on the door (Figure 2).
- 1.5. Repeat this process for the other roller.
- 1.6. Go to STEP 2



(Figure 1)



(Figure 2)

## 2. ANTI-JUMP BLOCK INSTALLATION

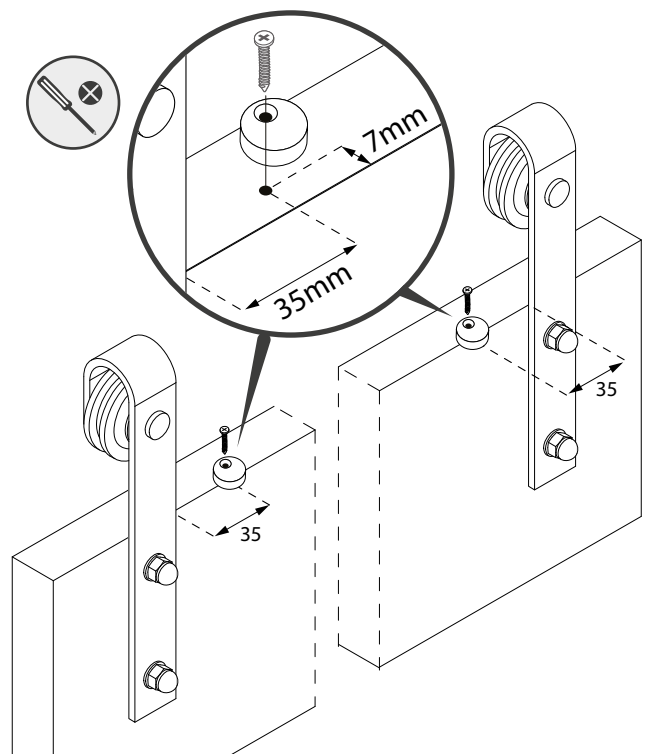


Anti-jump block and screws (x2)

- 2.1. Measure and mark 35mm from the edge of rollers and 7mm from the face of the door.
- 2.2. Pre drill using a 3mm drill bit and fix anti-jump blocks using screws provided.

**NOTE:** The hole for the anti-jump blocks should be offset from the centre of the door so the block can be rotated out of the way when hanging the door on the track.

- 2.3. Go to STEP 3







# FRONTIER BARN DOOR SLIDING SYSTEM

## 3. MEASURE AND MARK FOR TRACK LOCATION

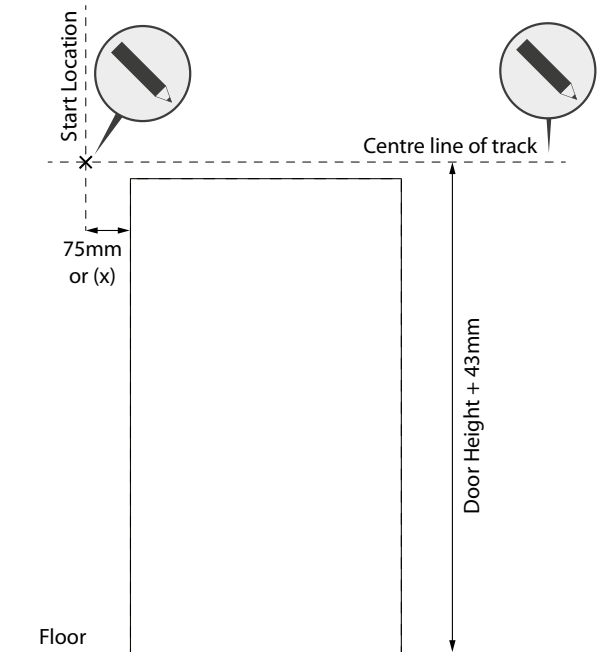
- 3.1. Using a ladder, tape measure and level, find the **centre line** position for the track by adding 43mm to the door height. Measure from the floor up and mark with a pencil.
- 3.2. For a **900mm** opening, the "Start Location" of the track is **75mm** from the edge of the opening. Measure **75mm** from the edge of the opening and mark "Start Location" of track on the **centre line**.

NOTE: If your opening is **less than 900mm** use the following formula to find the "Start Location" of track:

$$(1000 - \text{Opening Width}) / 2 + 75 = (x)$$

Measure (x) from the edge of the opening and mark "Start Location" of track on the **centre line**.

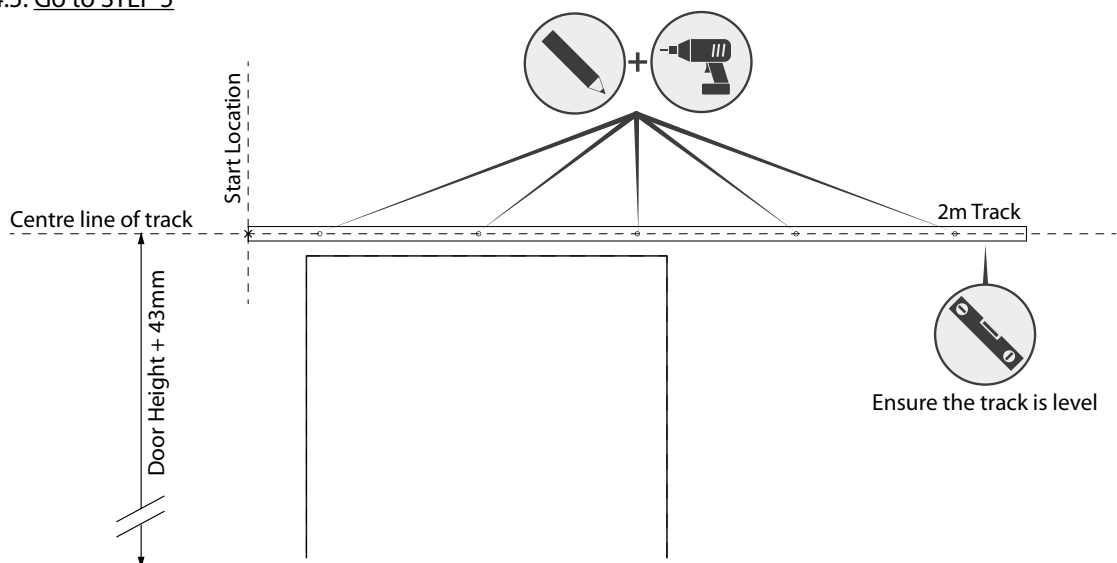
- 3.4. For fixing track to a **CONCRETE WALL** wall [Go to STEP 4](#)
- 3.5. For fixing track to a **NON-CONCRETE WALL** wall [Go to STEP 6](#)



## 4. CONCRETE WALL: WALL PREPARATION



- 4.1. Position the track centred on the "Start Location" and ensure track is level.
- 4.2. Use the track as a template and mark mounting hole locations with a pencil.
- 4.4. Pre-drill the concrete at marked locations using a 10mm masonry drill bit.  
(TIP: Temporarily install track with one end bolt. This will create a pivot point to easily level the track. Mark the rest of your holes)
- 4.5. [Go to STEP 5](#)

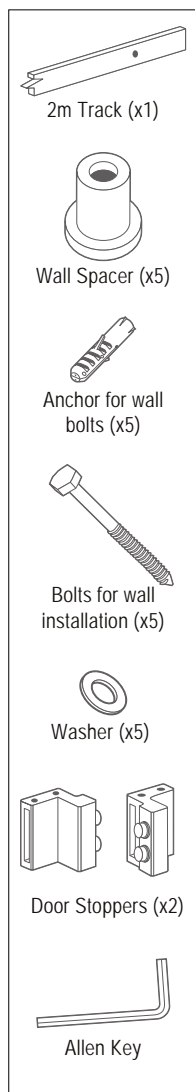




# FRONTIER

## BARN DOOR SLIDING SYSTEM

### 5. CONCRETE WALL: MOUNTING THE TRACK

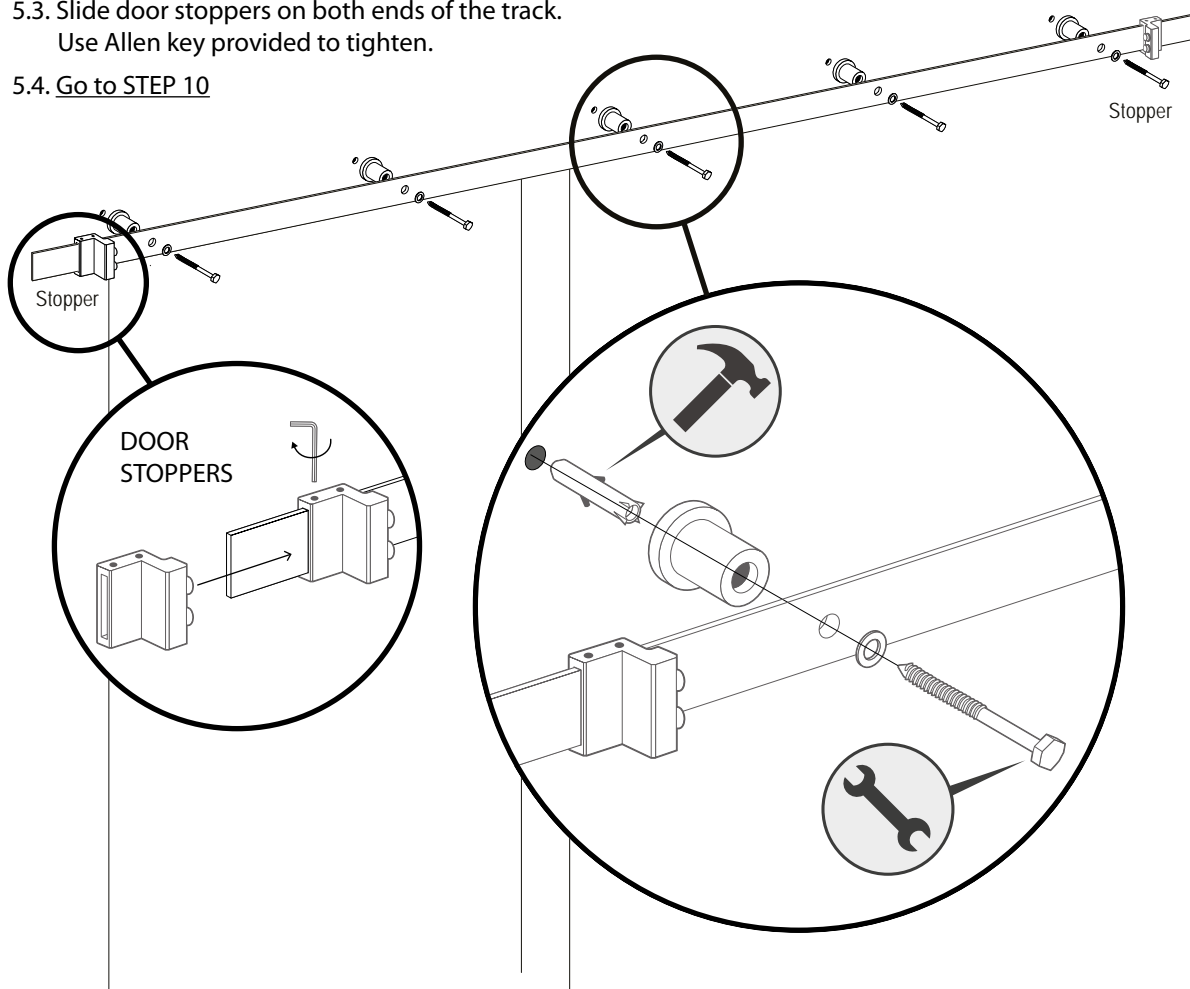


5.1. Install anchors into holes using a hammer.

5.2. Install track with bolts, washers and spacers using a spanner.

5.3. Slide door stoppers on both ends of the track.  
Use Allen key provided to tighten.

5.4. Go to STEP 10



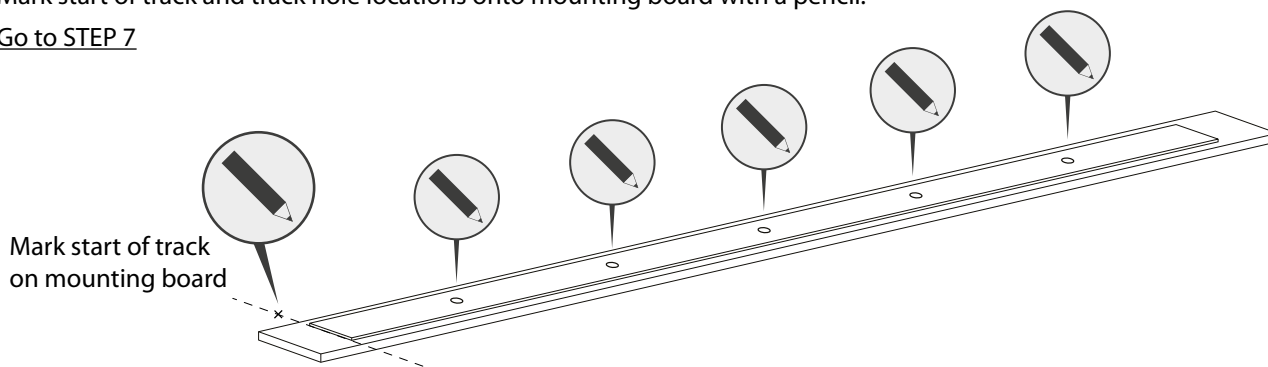
### 6. NON-CONCRETE WALL: MARK TRACK HOLES ON MOUNTING BOARD

NOTE: Mounting board and screws not supplied.

6.1. On a flat surface, centre the track on the mounting board (ensure the track is straight on the board).

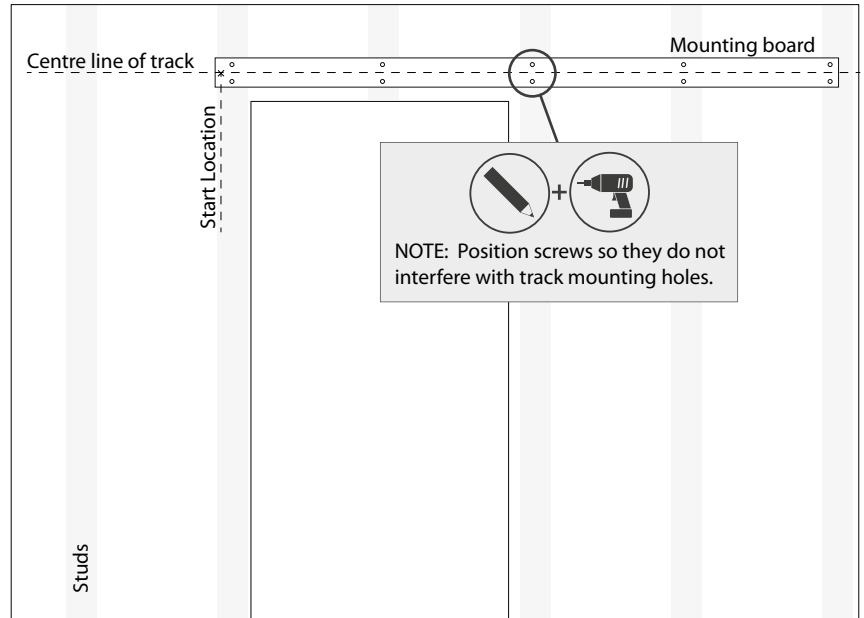
6.2. Mark start of track and track hole locations onto mounting board with a pencil.

6.3. Go to STEP 7



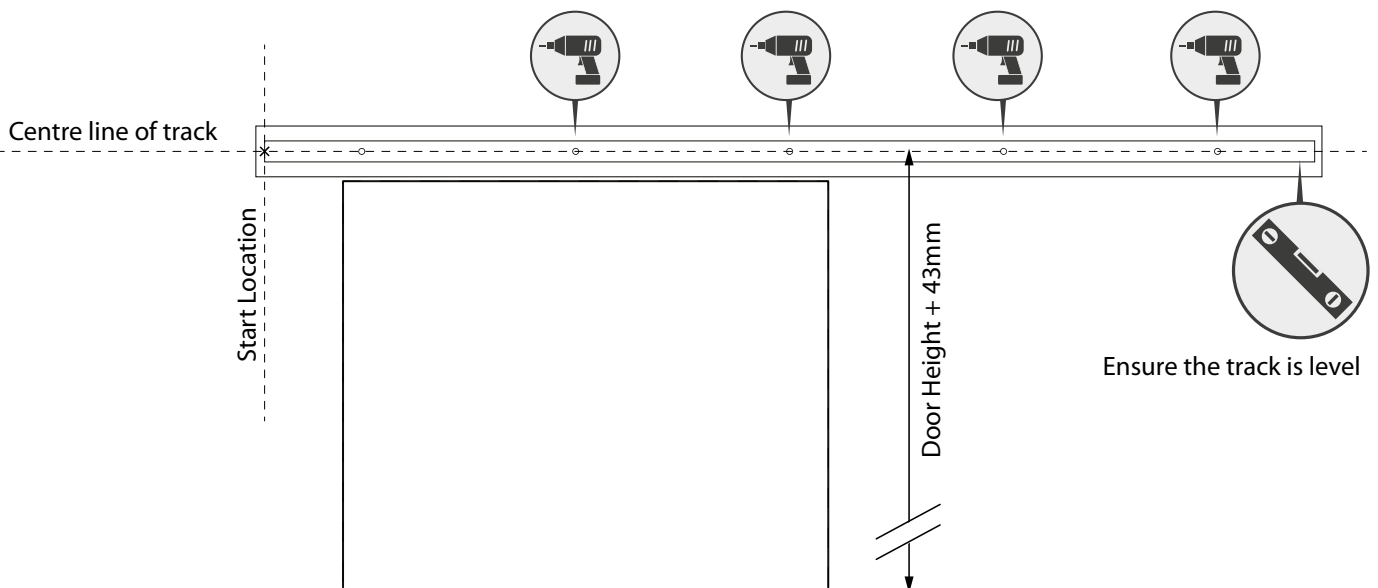
### 7. NON-CONCRETE WALL: ATTACH THE MOUNTING BOARD TO WALL

- 7.1. Use a stud finder to find the framing material (studs) behind the wall and mark their locations.
- 7.2. Position the mounting board on the wall ensuring it is level and centred on the centre line. Be sure to line up the start mark on the mounting board with your "Start Location" - not the edge of the mounting board.
- 7.3. Fix mounting board through wall into studs.  
(TIP: Locate and install one screw in the middle of the mounting board first. This will secure the board so you can move/pivot the free end and ensure the board is level as you install other screws.)
- 7.4. Go to STEP 8



### 8. NON-CONCRETE WALL: PRE-DRILL MOUNTING BOARD

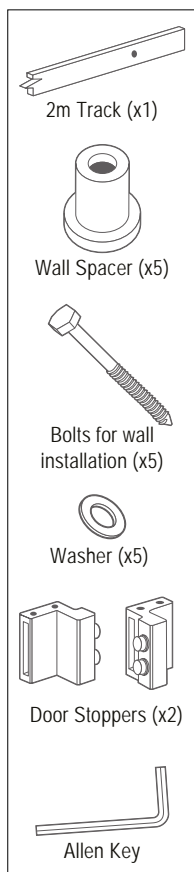
- 8.1. Drill pilot holes for track bolts into mounting board at marked locations from Step 6.  
(TIP: Temporarily install track with one bolt in the middle. This will create a pivot point to easily level the track. Drill the rest of your holes)
- 8.2. Go to STEP 9





# FRONTIER BARN DOOR SLIDING SYSTEM

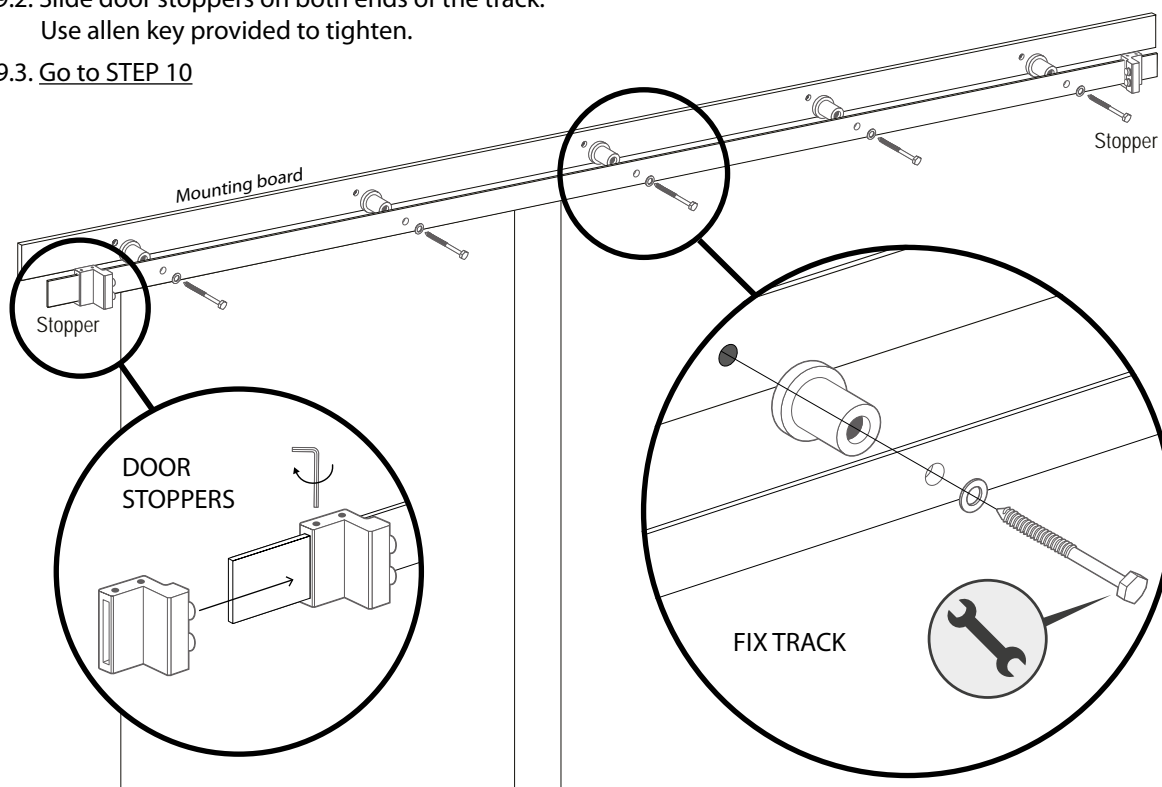
## 9. NON-CONCRETE WALL: ATTACHING TRACK TO MOUNTING BOARD



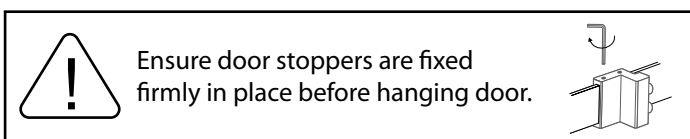
9.1. Install track with bolts, washers and spacers using a spanner.

9.2. Slide door stoppers on both ends of the track.  
Use allen key provided to tighten.

9.3. Go to STEP 10



## 10. HANGING DOOR AND ADJUSTING STOPPERS



10.1. Ensure anti-jump blocks are in the unlocked position (A).

10.2. Place assembled door with rollers onto track.

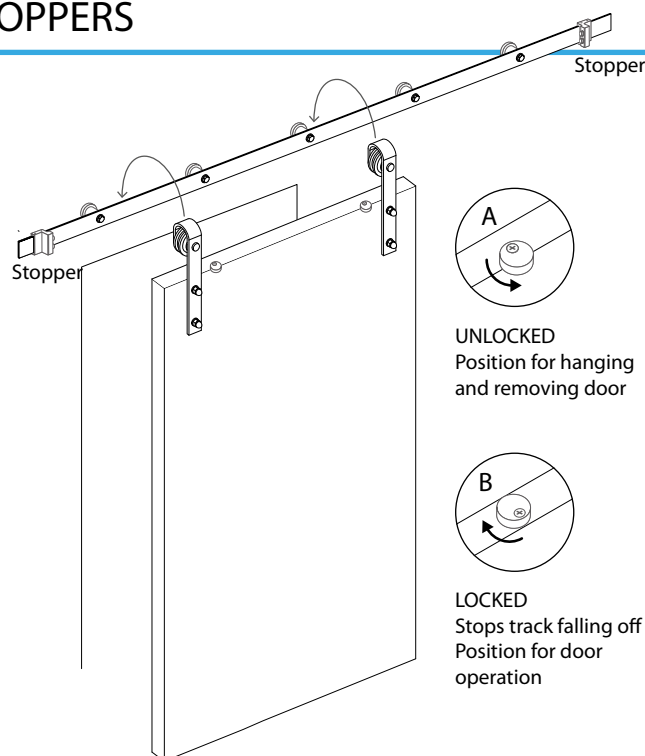
10.3. Rotate the anti-jump blocks to locked position (B).

10.4. Slide door back and forth to test how well the door covers the opening. Reposition stoppers as needed.

10.5. If less travel of the door is required, the stoppers can be moved inside end mounting bolts.

(TIP: If needed - remove the end mounting bolts and spacers, slide the stopper to the new location and reinstall bolt and spacer)

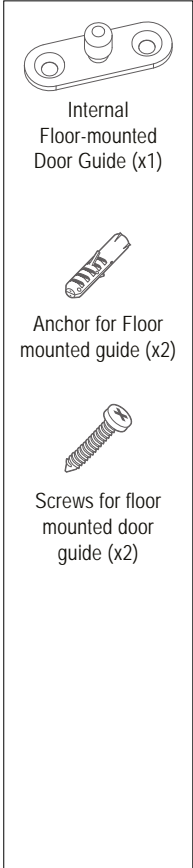
10.6. Go to STEP 11



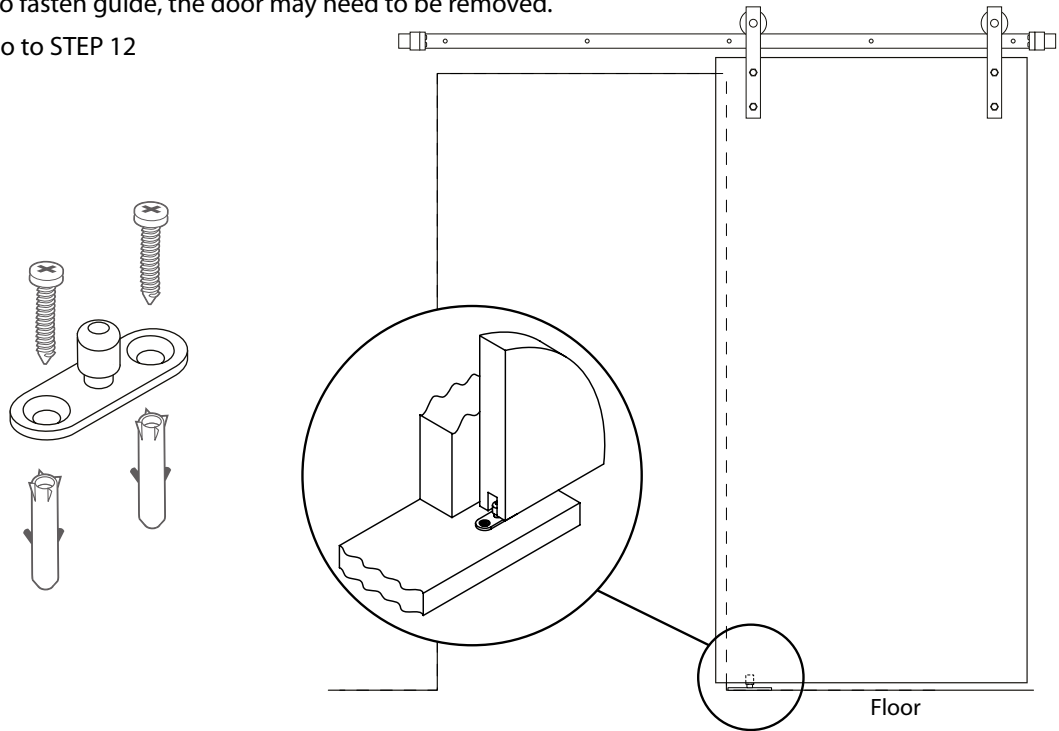


# FRONTIER BARN DOOR SLIDING SYSTEM

## 11. FLOOR-MOUNTED DOOR GUIDE INSTALLATION

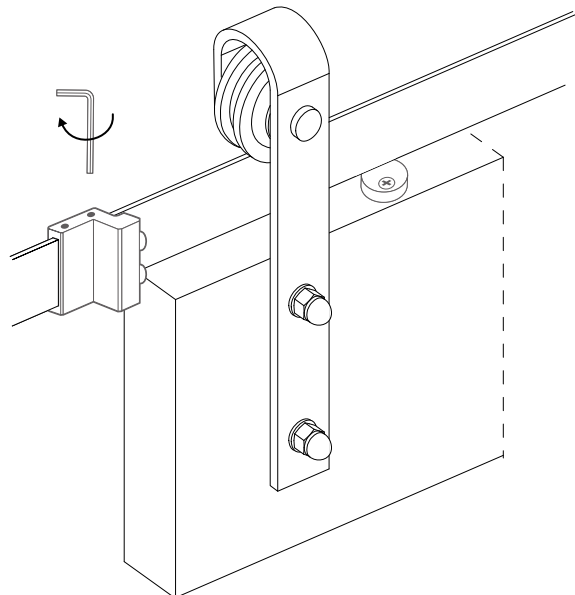
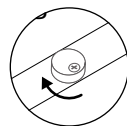
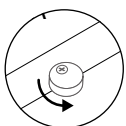


- 11.1. With door fully in the open position and hanging straight - position the floor mount door guide inside groove in the bottom of the door (see figure below for placement).
- 11.2. Make sure guide is properly placed and while holding guide in position slide the door back. Mark location of guide.
- 11.3. Pre-drill and attach guide with supplied screws. If needed, supplied anchors can be used.
- 11.4. To fasten guide, the door may need to be removed.
- 11.5 Go to STEP 12



## 12. FINAL CHECK OF STOPPERS AND ANTI-JUMP BLOCKS

- 12.1. Check to see that stoppers are properly located and tightened in place.
- 12.2. Check to see anti-jump blocks are rotated to the LOCKED position before operating the door.





# FRONTIER

## BARN DOOR SLIDING SYSTEM



## FRESH & MODERN

---

- This door is perfect for this loft space, fresh and modern.
- Featured: Joinery Ext (JST1)



## HAMPTON BARN DOORS

---

- This door is crisp & clean in style & adds just a little bit more to this very inviting bedroom.
- Featured: Hampton (HAM5)



# FRONTIER

## BARN DOOR SLIDING SYSTEM



## THE GRAND LOOK

---

- The Grand look. This is a great addition/idea for a wine cellar or wine tasting room in this case.
- Featured: Linear (HLR260)



## COLOURFUL DOUBLE

---

- Sometimes you don't have room for huge doors—double smaller size doors work well.
- Featured: Hampton Double (HAM5)



# CONTACT DETAILS

[www.humedoors.com.au](http://www.humedoors.com.au)



## NEW SOUTH WALES

HUME DOORS & TIMBER – (AUST) PTY LTD  
ABN 39 001 472 493

### Head Office & Showroom

120 Hume Highway, Lansvale NSW 2166  
PO Box 333, Cabramatta NSW 2166  
P | 02 9794 1111 F | 02 9794 1199 E | [info@humedoors.com.au](mailto:info@humedoors.com.au)

### Port Macquarie Branch

No. 2 Belah Road, Port Macquarie NSW 2444  
P | 02 6581 0011 F | 02 6581 0091 E | [hdtpm@humedoors.com.au](mailto:hdtpm@humedoors.com.au)

### Newcastle Branch

7 Waterloo Avenue, Thornton NSW 2322  
P | 02 4966 8880 F | 02 4966 8881 E | [hdtnc1@humedoors.com.au](mailto:hdtnc1@humedoors.com.au)



## QUEENSLAND

HUME DOORS & TIMBER (QLD) PTY LTD  
ABN 25 009 994 996

86 – 92 Mudgee Street, Kingston QLD 4114  
PO Box 2243, Logan City D.C. Qld 4114  
P | 07 3489 6200 F | 07 3489 6299 E | [sales@humedoorsqld.com.au](mailto:sales@humedoorsqld.com.au)

### Sunshine Coast Branch

14 Junction Drive, Coolum Beach, Qld 4573  
P | 07 5446 2640 F | 07 5446 3530 E | [hdtcoolum@humedoorsqld.com.au](mailto:hdtcoolum@humedoorsqld.com.au)

### Cairns Branch

64 Fearnley Street, Portsmith, QLD 40870  
P | 07 4041 2099 F | 07 4041 2047 E | [hdtcairns@humedoorsqld.com.au](mailto:hdtcairns@humedoorsqld.com.au)

### Northern Territory Branch

3 Adams Road (Cnr Beresford), Yarrowonga NT 0830  
P | 08 8932 3733 F | 08 8932 3799 E | [hdtnt@humedoorsqld.com.au](mailto:hdtnt@humedoorsqld.com.au)



## VICTORIA

HUME DOORS & TIMBER (VIC) PTY LTD  
ABN 87 006 329 906

33 Remington Drive, South Dandenong VIC 3175  
PO Box 4236, South Dandenong VIC 3164  
P | 03 9799 6888 F | 03 9799 9688 E | [hdtvic@humedoors.com.au](mailto:hdtvic@humedoors.com.au)

## TASMANIA

### Tasmania Branch

5 Trotters Lane, Prospect TAS 7250  
P | 0432 042 917 E | [tasales@humedoors.com.au](mailto:tasales@humedoors.com.au)



## SOUTH AUSTRALIA

HUME DOORS & TIMBER (SA) PTY LTD  
ABN 34 007 512 209

89 Heaslip Road, Burton SA 5110  
PO Box 2037, Salisbury Downs SA 5108  
P | 08 8280 2000 F | 08 8280 8099 E | [hdtsa@humedoors.com.au](mailto:hdtsa@humedoors.com.au)



## WESTERN AUSTRALIA

HUME DOORS & TIMBER (WA) PTY LTD  
ABN 62 009 421 569

75 Briggs Street, Carlisle WA 6101  
PO Box 118, Welshpool WA 6986  
P | 08 9470 1800 F | 08 9472 3802 E | [hdtwa@humedoors.com.au](mailto:hdtwa@humedoors.com.au)

**Disclaimer:** This is a business to business pricelist and is not recommended for general use. Hume Doors & Timber reserves the right to alter or amend without prior notice, any data, dimensions and design details specified herein. Photographs or illustrations may not depict the exact design or specification and may vary to the actual product. Doors are supplied unfinished unless otherwise specified and routed doors have exposed MDF.