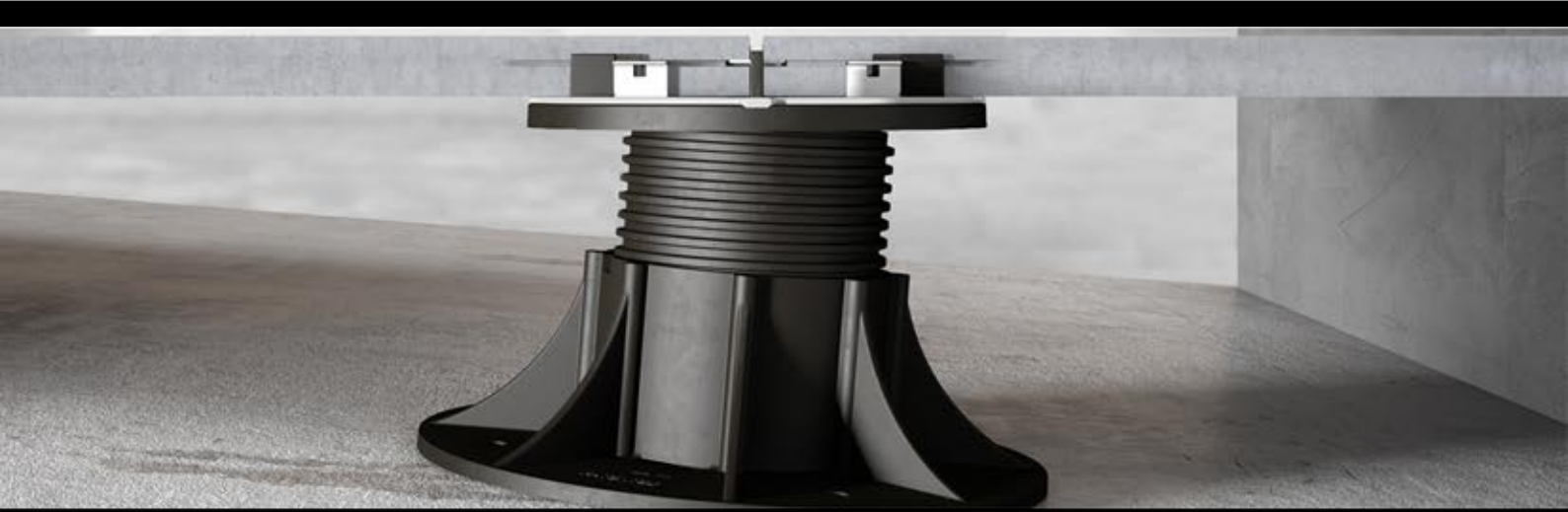
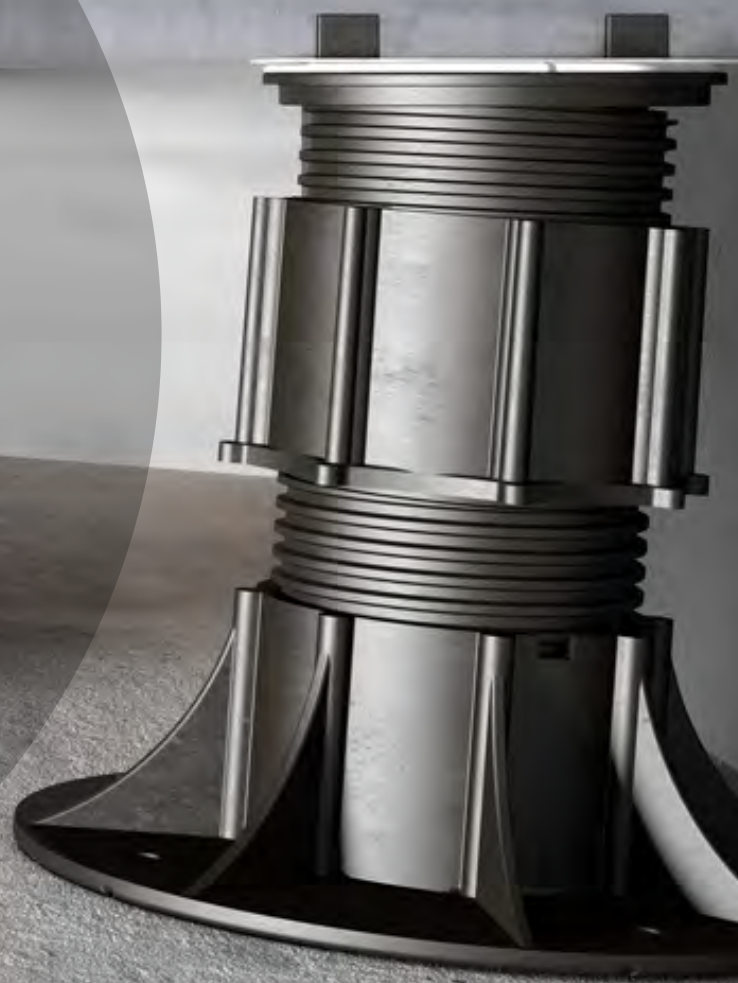


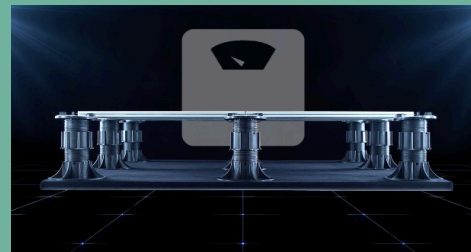
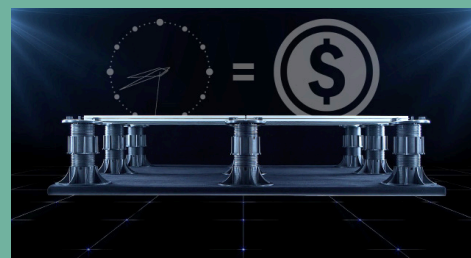
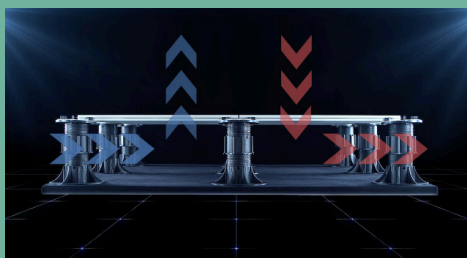
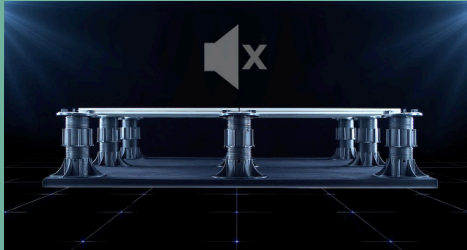
KEKSIÄ



PEDESTALS
DECKING
CLADDING



PEDESTAL ADVANTAGES



NM

ADJUSTABLE HEIGHT

The NM Series boasts a wide range of features that render it perfect for any number of raised flooring applications. The fixed head can be adjusted to the millimetre in height by the use of the reinforced adjustment key. The NM series ranges from 25mm all the way up to 990mm.

Benefits

- Finished floor height can be adjusted post installation thanks to the exclusive readjustment key system
- Unique head design with non-slip and anti-noise rubber top
- Use with TW110 to compensate for floor gradients of up to 2%
- Entirely recyclable
- Resistant to acids and ultraviolet deterioration
- Resistant to temperatures ranging from -40 °C to +120°C
- Suitable for any self-supporting outdoor paving system
- Tile spacing tabs are strong, stable and easily removable
- Indicator lines on base make cutting easy when installing pedestals into corners or end walls



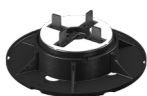
TW 110
Ø 110 / 150 mm



LGH1-LGH2-LGH3
1-2-3 mm



testa XL head
Ø 150 mm



NM 1
25-40 mm



NM 2
40-70 mm



NM 3
60-100 mm



NM 4
90-160 mm



NM 5
150-270 mm



PNM
165 mm

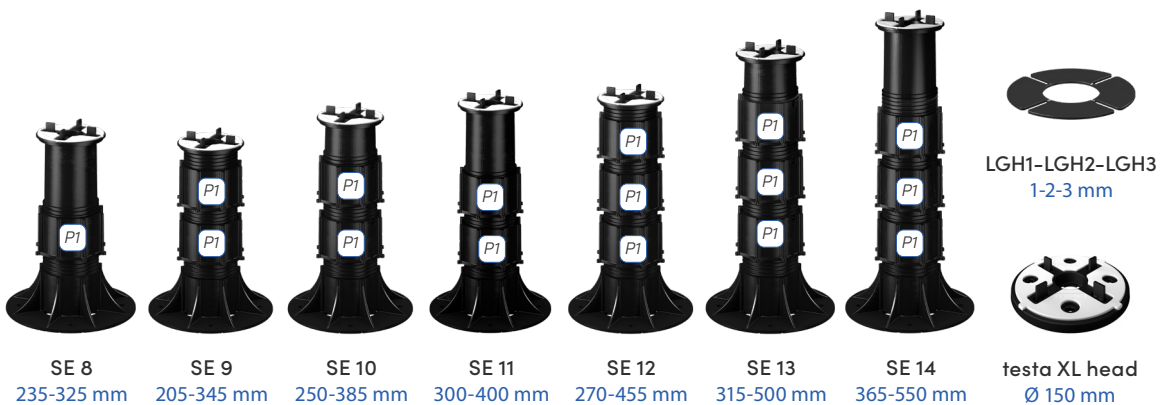
SE

SELF-LEVELLING AND ADJUSTABLE

The SE Series adjustable support has come to be recognised as the market's most effective solution for dealing with sloping installation surfaces. The SE series starts at 28mm and can adjust up to a total of 550mm.

Benefits

- Self-levelling head that automatically justify slopes up to 5%
- Unique head design with non-slip and anti-noise rubber top
- Finished floor height can be adjusted post installation thanks to the exclusive readjustment key system
- Entirely recyclable
- Resistant to temperatures between -40° to 120°C
- Resistant to acids and ultraviolet deterioration
- Suitable to any self-supporting outdoor paving system
- Tile spacing tabs are strong, stable and easily removable
- Indicator lines on base make cutting easy when installing pedestals into corners or end walls



ST LOW HEIGHT ADJUSTABLE

The ST Pedestal Series is the thinnest exterior elevated floor pedestal in the world, extremely adaptable and constantly adjustable thanks to the Adjustment Key

Benefits

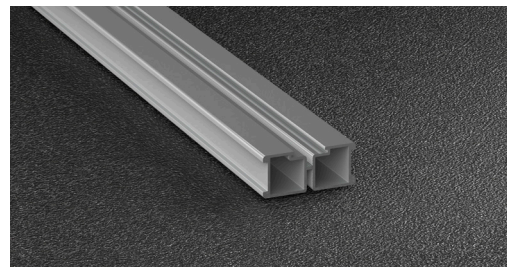
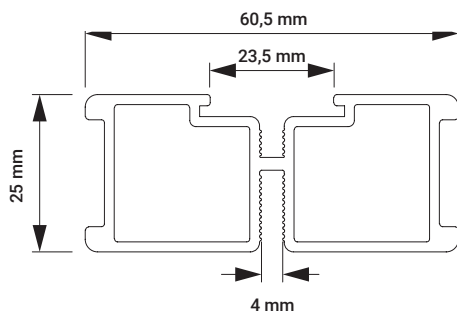
- Lowest Adjustable System in the World
- Adjustable height from 10mm to 30 mm (when used with Star-T Base and Star-T Extensions)
- Use with TW110 to compensate for floor gradients of up to 2%
- Finished floor height can be adjusted post installation thanks to the exclusive readjustment key system
- Fully recyclable
- Resistant to temperatures between -40° to 120°C
- Resistant to acids and ultraviolet deterioration
- Suitable for any self-supporting outdoor paving system
- Tile spacing tabs are strong, stable and easily removable



ALUMINIUM JOIST

The Aluminium Joist System can be used in conjunction with the SE, NM and Star T Series. One side of the Aluminium Joist has been designed to accommodate all types of fixing clips, while the opposing side works exclusively with the Eterno Ivica Clip System.

The Aluminium Joist System can be used for decking and paving structures.



PERIMETER SPACER

The ideal combination of aesthetics and functionality

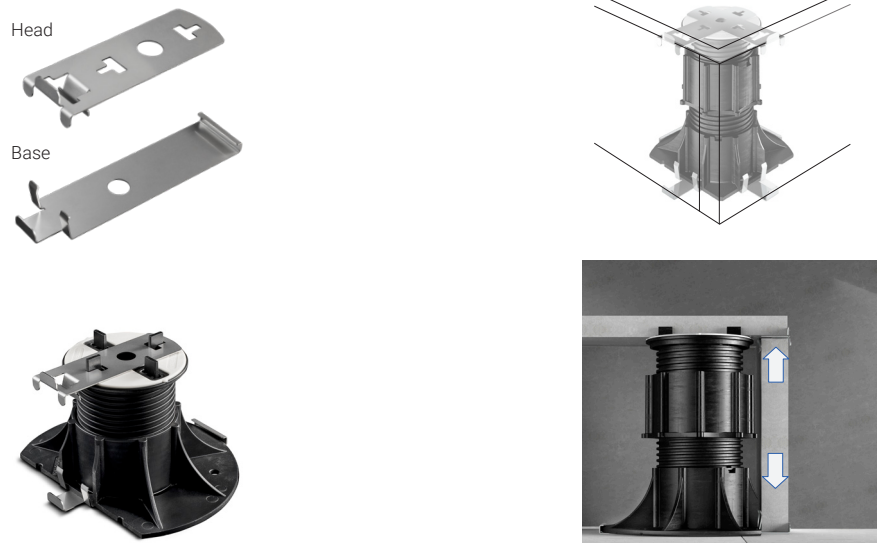
The Perimeter Spacer is built entirely in stainless steel and is designed to create space between the raised floor and building walls. It is equipped with a shock absorber for longitudinal and transverse expansion. The secure attachment allows movement while achieving a sleek and attractive perimeter, improving overall stability to the raised floor.



VERTICAL CLIP SYSTEM

Attention to detail and reliability

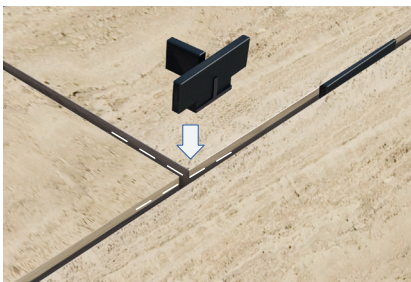
A solution made with two special stainless steel clips that, placed over the head and under the base of the Pedestal. The clips create a housing with teeth that wedge the trimmed floor section according to the size of the space to be filled, thus immediately avoiding any slippage of the horizontal plates due to the blocking mechanism at the end of the clip-edge.



ALUMINIUM JOIST TILE SPACER

The Aluminium Joist Tile Spacer has been designed to be used in conjunction with the Joist System. The Spacer clips into the Joist in a "T" or "I" configuration, based on the requirement of the joint.

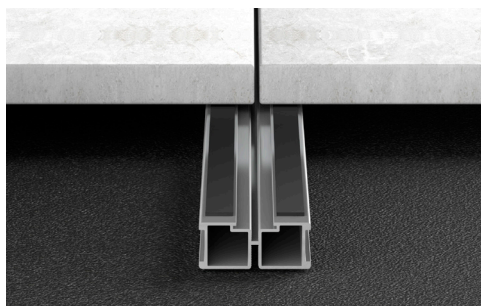
The Tile Spacer can be easily moved across the entire length of the Aluminium Joist, making for time effective installation.



NOISE INSULATING RUBBER

This adhesive noise insulating rubber tape can be adhered to the length of the Aluminium Joists System in full runs, or at chosen points.

Avoiding direct contact between the finished surface and the Joist reduces overall noise and slippage.





ALUMINIUM JOIST WITH PAVING
ON PEDESTALS



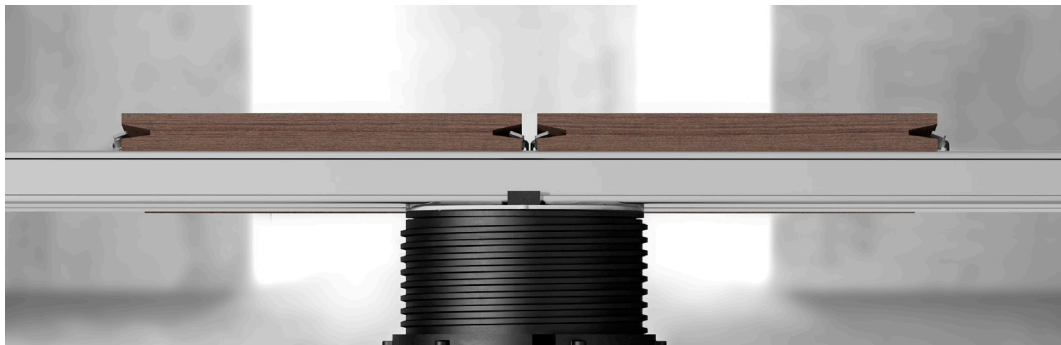
WOOD DECK PEDESTALS

NM

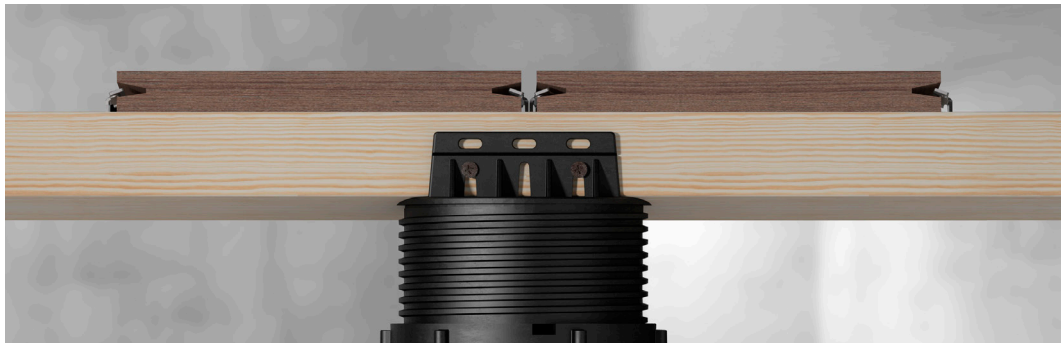
ADJUSTABLE HEIGHT SUBSTRUCTURE WITH NM SERIES PEDESTAL

The NM Adjustable Height Pedestal accommodates all joist types utilising the interchangeable head, which adapts to both the Aluminium Joist System, as well as the Wood Deck System.

A simple rotation of the base allows you to adjust to the millimetre every type of substructure and obtain stable, perfectly level flooring.



Aluminium Joist System



Wood Deck System



TW 110
Ø 110 mm



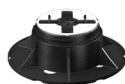
LGH1-LGH2-LGH3
1-2-3 mm



XL head
Ø 150 mm



NM 1
25-40 mm



NM 2
40-70 mm



NM 3
60-100 mm



NM 4
90-160 mm



NM 5
150-270 mm



PNM
Extend up to 990mm

SE

SELF-LEVELLING AND ADJUSTABLE

SUBSTRUCTURE WITH SE SERIES PEDESTAL

The SE Self-levelling and Adjustable Pedestal accommodates all joist types. The product's main strength is its interchangeable head, which adapts to both the Aluminium Joist System, as well as the Wood Deck System.

The unparalleled performance of the tilting head is capable of eliminating screed slopes of up to 5%, resulting in a perfectly level floor, with no need for additional work or extra spacers.

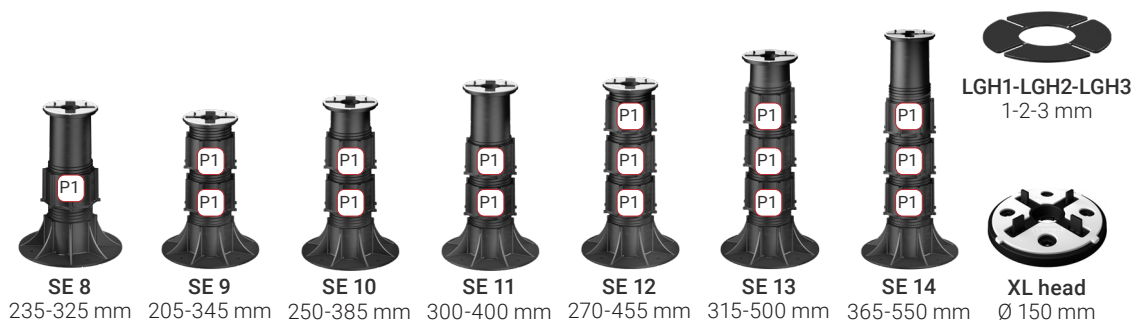
It's the most flexible, elegant and safe solution that's ever been conceived for terraces, decking and poolside applications.



Aluminium Joist System



Wood Deck System



ST

LOW HEIGHT AND ADJUSTABLE *SUBSTRUCTURE WITH STAR.T SERIES PEDESTAL*

The Star.T Low Height Adjustable Pedestal is a compact support that has the ability to be used on any kind of floor. Adjustable from 10 to 30 mm pre formed clips accommodate the Aluminium Joist System or can be interchanged with the Wood Deck System.

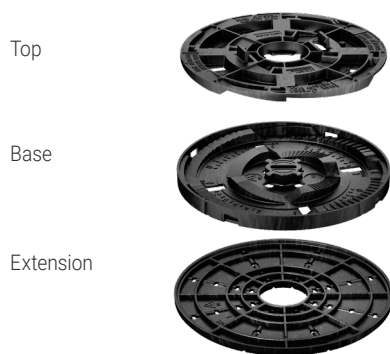
Millimetre perfect adjustment of the ST Series allows it to obtain elegant, perfectly level floors, reducing installation costs with guarantee of stability and precision.



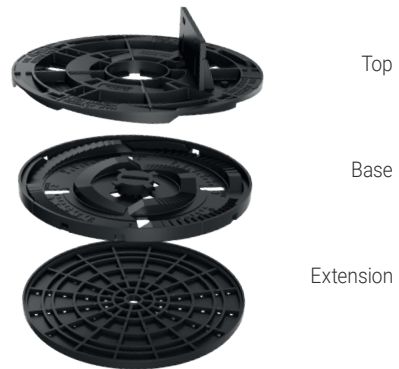
Aluminium Joist System



Wood Deck System

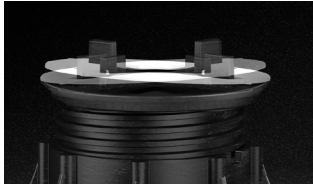


To suit Aluminium Joist System



To suit Wood Deck System

FAST, SAFE AND TROUBLE-FREE INSTALLATION



The self-levelling head automatically compensates any slope up to 5%.



Pre-cut tab is easily removable. Coupling head to screw attachment system.

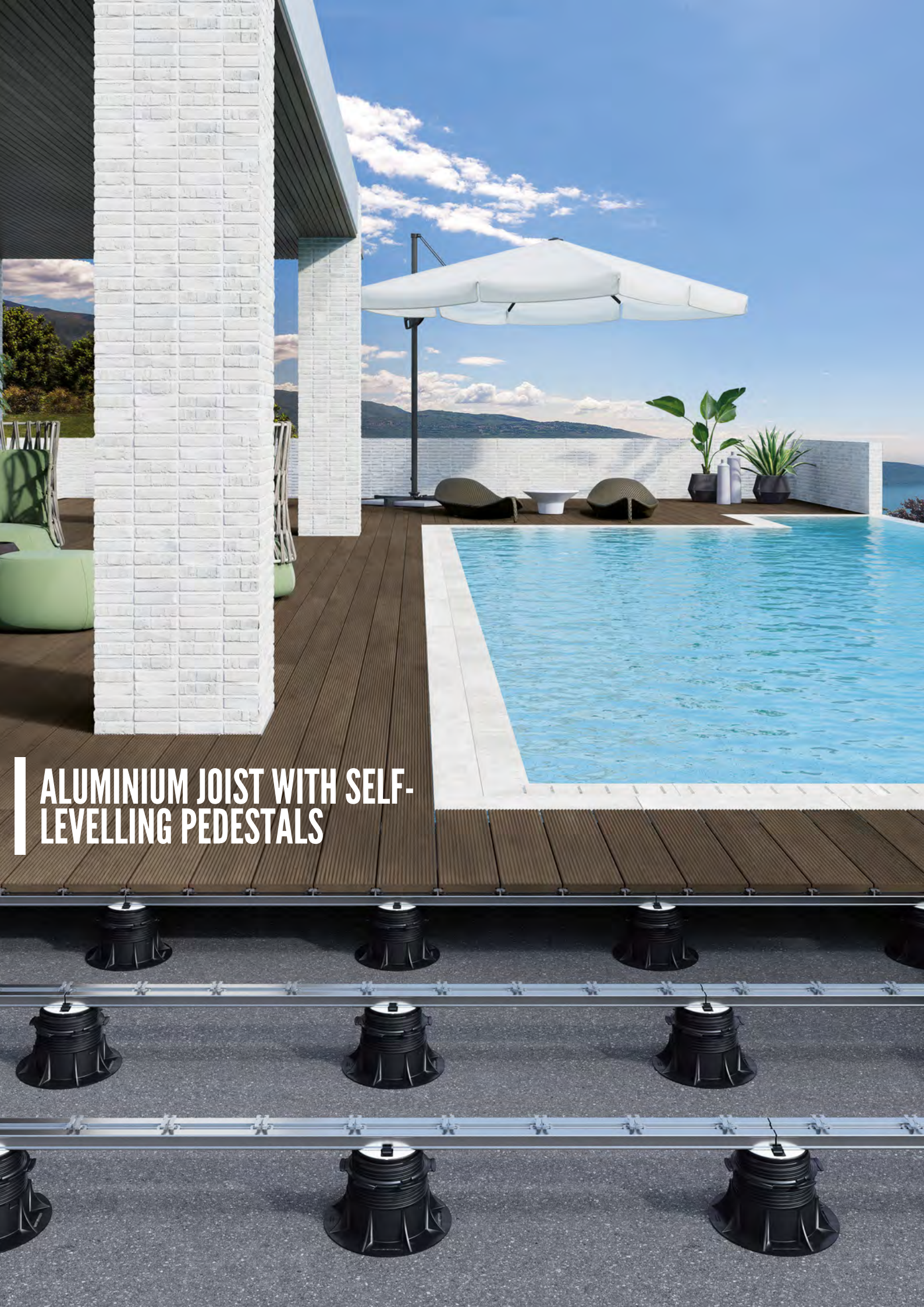


Bi-material, PP + rubber anti-noise and anti-slip head.

CLIP WFS® HEAD FOR VERTICAL INFILL

- 1 WPC, wood, ceramic, plastic, concrete or other composite material flooring
- 2 Aluminium Joist
- 3 Clip WFS® head for vertical infill
- 4 Adjustable Pedestal
- 5 Base clip for vertical infill
- 6 Clip for Aluminium Joist





ALUMINIUM JOIST WITH SELF-LEVELLING PEDESTALS



PEDESTALS DECKING CLADDING

DECKING

Decking - never oil, sand or paint again!

TERRACE



COASTAL



See and feel the finishes. Contact us to arrange your free sample

DECKING Code	Product Description	Dimensions	Length	Finish	Double Sided	Residential Span	Commercial Span	Secret Fix	Slip Rating	Colours
Terrace Decking Range										
US49	Grooved Edge Solid Deck Board	138 x 25mm	5.4m	H11 / H6	Y	450mm	350mm	Y	P2	AT, SI TK, IP, WN
US63	Grooved Edge / Square Edge Solid Deck Board	138 x 25mm	5.4m	H11 / H6	Y	450mm	350mm	Y	P2	AT, SI TK, IP, WN
Coastal Decking Range										
US54	Grooved Edge Solid Wide Deck Board	210 x 23mm	4.88m	H9V / H1	N	400mm	300mm	Y	P5	BE, AT, AW
US33	Grooved Edge / Square Edge Solid Deck Board	138 x 23mm	4.88m	H9V	N	400mm	300mm	Y	P5	BE, AT, AW
Finishing Fascia										
US06	Solid Fascia Board	138 x 15mm	4.88m	H6 / H1	Y	n/a	n/a	N	n/a	AT, SI TK, IP, WN

NOTE: Board widths may vary +/- 2mm

HIDDEN FASTENERS Code	Product Description	Gap	Timber Fix	Metal Fix	Clips P/M ²		Colours
					Terrace Range	Coastal Range	
T-Clip	S/Steel Hidden Fastening Clip - Decking	5.5mm	✓	✓	17	14	n/a
MG1/MG2	S/Steel Mini Gap Clip - Decking	1.5mm	✓	✓	19	15	
MG3	Starter Clip	n/a	✓	✓	n/a	n/a	
K37	Starter / End Clip	n/a	✓	✓	n/a	n/a	
CDS	Coloured Head Decking Screws 304ss - 10g x 65mm	n/a	✓	✗	n/a	n/a	Available in matching colours
CSM	Coloured Head Decking Screws Carbon Steel 10g x 60mm	n/a	✗	✓	n/a	n/a	
CS	Coloured Head Fascia Screws 304ss - 8g x 50mm	n/a	✓	✗	n/a	n/a	



Before installing decking, refer to the installation guidelines on our website



keksia.com.au



**TEAK COMPOSITE
DECKING**

A photograph of a modern building entrance. A wide, light-colored stone walkway leads to a large glass door with a wood-clad panel and a circular handle. The walls are clad in vertical wood slats, and a dark overhang is visible above the door. The sky is blue with some clouds.

**PEDESTALS
DECKING
CLADDING**

CLADDING

Composite Cladding

Fully finished exterior wall cladding requires no oiling or painting.

ShadowLine Cladding board profile



SHADOWLINE CLADDING



CLADDING Code	Product Description	Dimensions	Length	Finish	Max Span	Colours	
US31	Shadowline Cladding Board	142 x 13mm	4.88m	H6	500mm	Silver Grey, Teak, Maple, Walnut	
STUS44	Aluminium End Trim	35 x 42mm	3.6m	Powder-coat	N/A		
STUS45	Aluminium H Trim	35mm	3.6m		N/A		
STUS46	Aluminium Outer Corner Trim	35 x 35mm	3.6m		N/A		
STUS47	Aluminium Inner Corner Trim	35 x 35mm	3.6m		N/A		
AW02	Aluminium Starter Profile	-	3.0m	-	-	Mill finish	
HIDDEN FASTENERS Code	Product Description	Clips Required p/M2 - US31				Colours	
AW08	Aluminium Cladding Clip	17			-	-	Mill finish

Castellation Cladding board profile



CASTELLATION CLADDING



CLADDING Code	Product Description	Dimensions	Length	Finish	Max Span	Colours
UH61	Castellation wall cladding board 25mm x 12.5mm	196mm x 25mm	4.88m	H1	500mm	Ipe, Aged Wood, Silver Ash
UH50	Composite End Trim	75mm x 54mm	3m	H1	n/a	
UH51	Composite Corner Trim	76mm x 76mm	3m	H1	n/a	





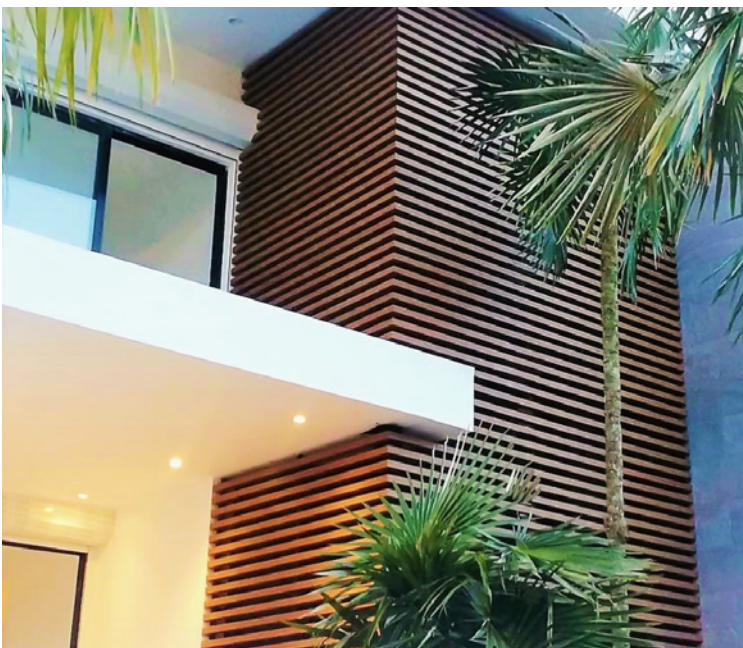
**AGED WOOD CASTELLATION
CLADDING**

Low maintenance screening & fencing

Create stylish and private areas in your home or commercial alfresco areas.



SCREENING Code	Product Description	Dimensions	Length	Max Span	Fixing Method	Colours
US36	Solid Screening Board	70mm x 17mm	5.4m	900mm	Screw Fix	SI, TK, IP
US06	Fascia Board	138mm x 15mm	4.88m	800mm	Screw Fix	AT, SI, TK, IP, WN
UH55	Hollow Screening Board	56mm x 30mm	5.4m	900mm	Screw Fix	IP, OK
UH17	Hollow Screening Board	60mm x 42mm	5.4m	1350mm	Screw Fix	IP
UH25	Hollow Screening Board	100mm x 52mm	5.4m	1500mm	Screw Fix	IP



Wide range of screening & fencing profiles



General Tips

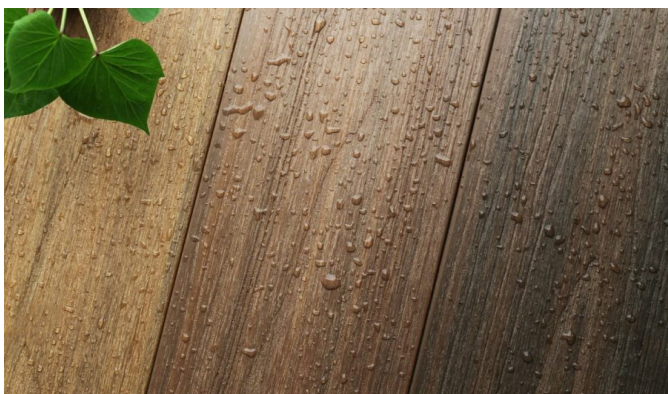
Here are some tips to help you get the best out of your NewTechWood® products. Head to our website for more information and inspiration.

- ✓ Do not install before reading the Installation Guidelines
- ✓ Find full product Technical Specifications on the website
- ✓ Refer to the Expansion / Contraction tables to allow for sufficient movement

COLOURS



NOTE: Not all products available in all colours. Refer to product tables



To ensure Warranty compliance, it is important to install NewTechWood® as per our installation guidelines, which can be downloaded from: [keksia.com.au](https://www.keksia.com.au)

Check out our website!



[keksia.com.au](https://www.keksia.com.au)



1300 033 699
enquiries@keksia.com.au



KEKSIÄ

Melbourne Showroom
8/600 Lorimer St. Port Melbourne, VIC 3207

Canberra Showroom
4/69 Sheppard St. Hume, ACT 2620