

# Floor Closers



We take the worry out of  
protecting what's valuable to you.  
Lockwood: *no worries*<sup>®</sup>

**LOCKWOOD**

**ASSA ABLOY**

**25YEAR**

**MECHANICAL  
WARRANTY**

[www.lockweb.com.au](http://www.lockweb.com.au)

# Contents



## **ST8011SSS**

Floor Closers

**page 3**



## **8800 Series**

Floor Closers

**page 7**

# ST8011SSS Floor Closer



## Description

The Lockwood ST8011SSS double action floor closer has been specifically designed to meet the exacting requirements of double or single action pivoted doors with a door leaf weight up to 300kgs.

Innovative design enables onsite flexibility over a wide range of applications.

Designed and manufactured to world class standards which enables the highest possible quality, efficient and reliable performance.

Multi functional designs offer the specifier, stockist or the installer outstanding versatility and low inventory levels.

## Product Details

**Adjustable Closing Speed** Adjustable Closing Speed: Closing 175deg - 15deg, Latching speed 15deg - 0deg

**Back Check** The integrated mechanical back check function offers optimum protection for doors and walls.

With these standard features built into one product this means there is only one model to specify and stock to cover a wide range of applications.

**Construction** Cast iron body  
Three thermodynamic valves for consistent performance  
Built in pressure relief valve  
Cement box hot zinc plated steel  
Universal cover plate

**Delayed Action** Adjusting this valve controls the closing time of the door between 170deg - 85deg

**Door Specifications** Suitable for door weights up to 300kgs  
Leaf widths from 950mm - 1400mm  
Max opening angle 175deg

**Hold-Open** By setting the HO valve the door can be set to hold open the door at any angle from 85deg to 170deg opening, to release door manually pull door closed.

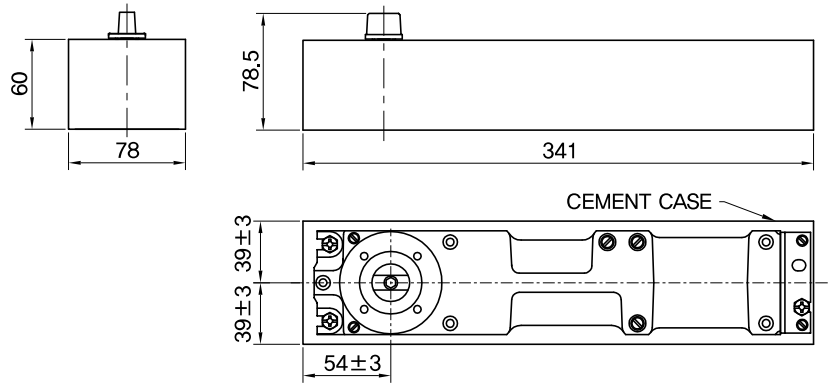
**Power adjustment** Turning the screw valve the power can be adjusted from EN size 3-6; closing force ranges from 24Nm to 60Nm

# ST8011SSS Floor Closer

## Limiting Dimensions

### Adjustments within Cement Box

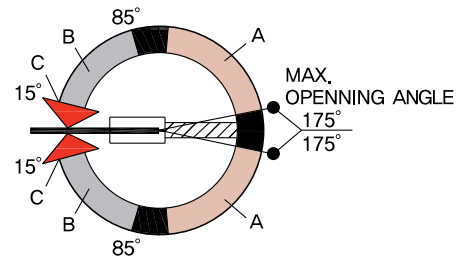
<b>Vertical</b>	9 mm
<b>Side</b>	6 mm
<b>Front</b>	5 mm



## Standard Adjustments

### Recommended Door Sizes

Recommended Door Width	Door Weight (kg) Max	Closer Power Size	Closing Torque (Nm)
950	60	3	18 - <26
1100	80	4	26 - <37
1250	100	5	37 - <54
1400	120	6	54 - <87



Door Closer in this series are power adjustable size 3-6

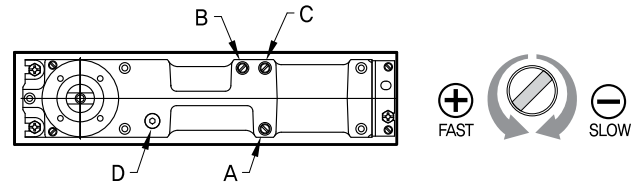
## Adjust Closing Speed

**Valve "A"** - controls closing speed from MAX. (OPENING - 85°)

**Valve "B"** - controls closing speed from approx. (85° ~ 15°)

**Valve "C"** - controls closing speed from approx. (15° ~ 0°)

**Valve "D"** - Adjustable closing force (EN3~6)



## Back-check

The integrated mechanical back-check function offers optimum protection for doors and wall

## Delayed Action

Turn valve "A" clockwise until desired delay time is obtained (175° - 85°).

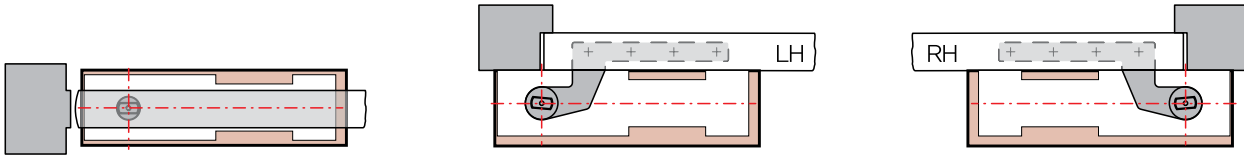
## Hold Open

Turn valve "A" completely clockwise. Door will hold at any point beyond approx. 85°. Allow for approx. 4° fall away when considering hold open position.

To release door, manually pull door closed a few inches.

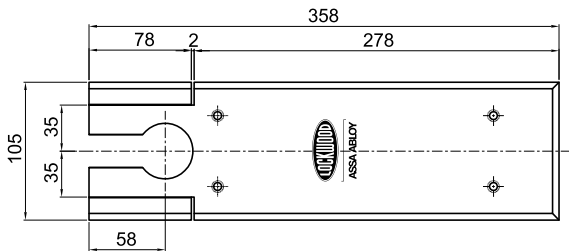
# ST8011SSS Floor Closer

## Universal Mounting

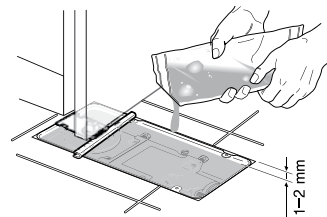


Single or Double action door mounting

Single action door mounting with offset



Adaptable to right or left hand single action applications by simply snapping off the appropriate pre-blanked corner sections. For double action doors. The corner sections remain in place.



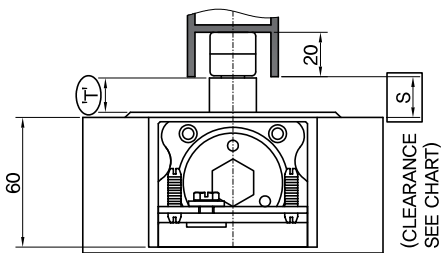
## Universal Cover Plate

- ST80-171PSS Polished Stainless Steel
- ST80-171PB Polished Brass

Order separately to ST8011SSS Floor Spring

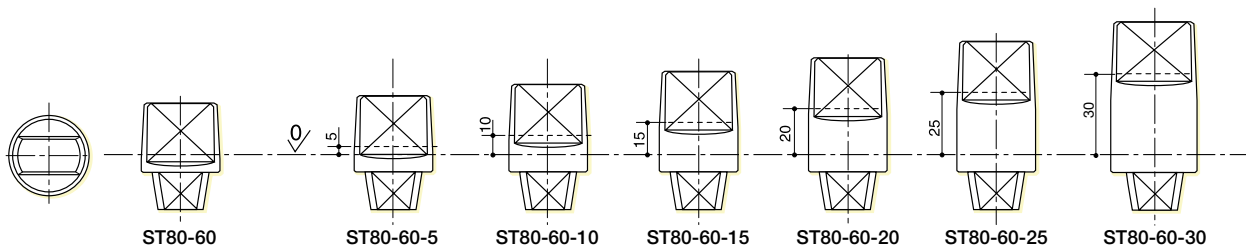
- Sealing compound: ST80-612

## Extended Spindle Range



Calculating the necessary length of spindle extension:

- Extension S: Floor clearance (normally 8mm)
- Collar height T of extended spindle inserts:
- Spindle extension length + 3mm (collar height of the standard spindle insert)

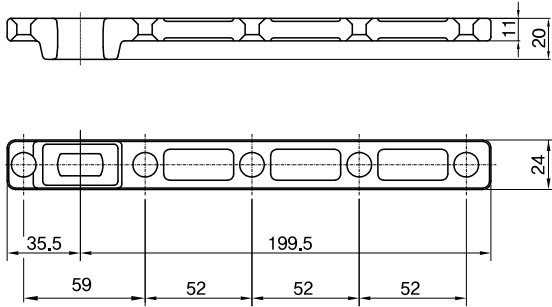


\* NOTE: 3deg offset spindles available on request.

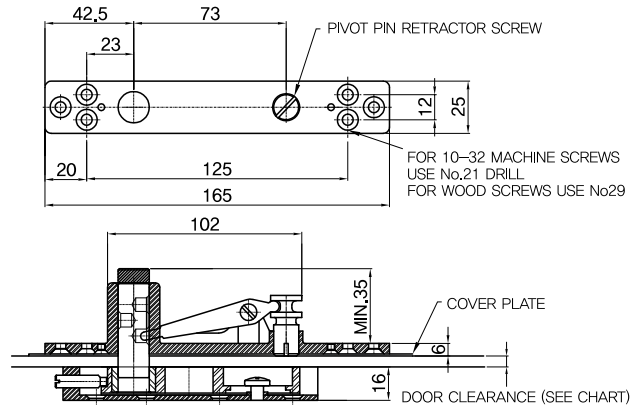
# ST8011SSS Floor Closer

## Spare Parts

**Standard bottom arm**  
SPST80-393

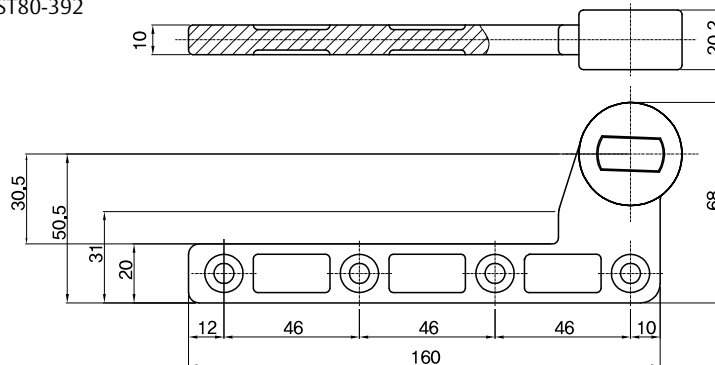


**Standard top pivot**  
SPST80-8

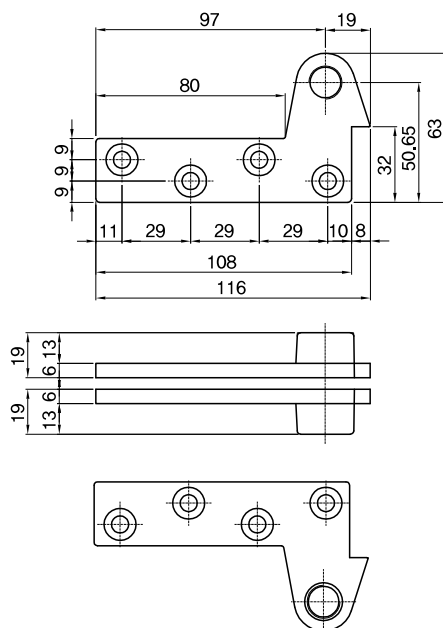


## Accessories

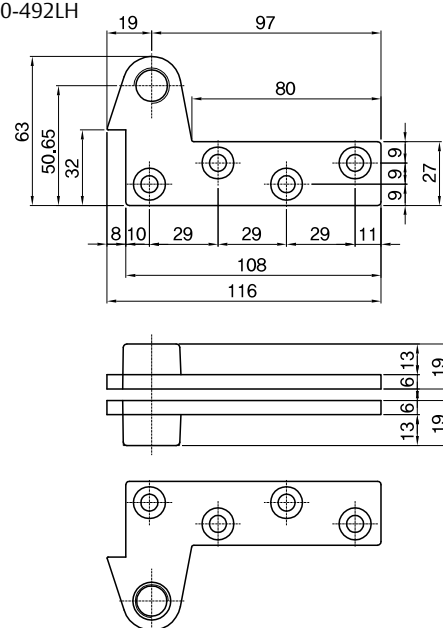
**Offset arm (right & left)**  
ST80-392



**Offset top pivot (right)**  
ST80-492RH



**Offset top pivot (left)**  
ST80-492LH



# 8800 Series Floor Closer



## Description

The Lockwood 8800 Series Floor Closers are designed to provide door control on manually operated double action doors in a wide range of commercial applications. The mounting kit provided with the Lockwood 8800 Series will suit glass, timber and aluminium frame door construction as standard.

## Features

- 2, 3 and 4 power
- Non hold-open
- 90° & 105° hold-open
- Adjustable pivot inserts
- Pivot door sets
- Lockwood guaranteed

## Additional Features

Interchangeable extended pivot inserts ranging from +5 to +35mm. This range will accommodate applications such as threshold, carpeted floors or situations where additional clearance between the door and floor are required.

Universal off set pivot sets for flush closing single action door applications (SP844-30).

## Product Details

**Door Adjustment** The Lockwood 8800 is positionally adjustable for a height of 4mm, a width of 10mm and a length of 9mm.

**Door Control** Two independent adjustment valves provide full hydraulic control from 130° to 15° of closing and 15° to 0° of latching.

**Door Frame Type** Timber/aluminium/steel

**Door Thickness** Minimum for timber 32 mm

**Door Weight** Up to 120kg as standard

**Door Width** Up to 1150mm (refer to selection procedure)

**Finishes** Stainless Steel (SSS)  
Gold (GLD)  
Polished Stainless Steel (PSS)  
Other finishes on application

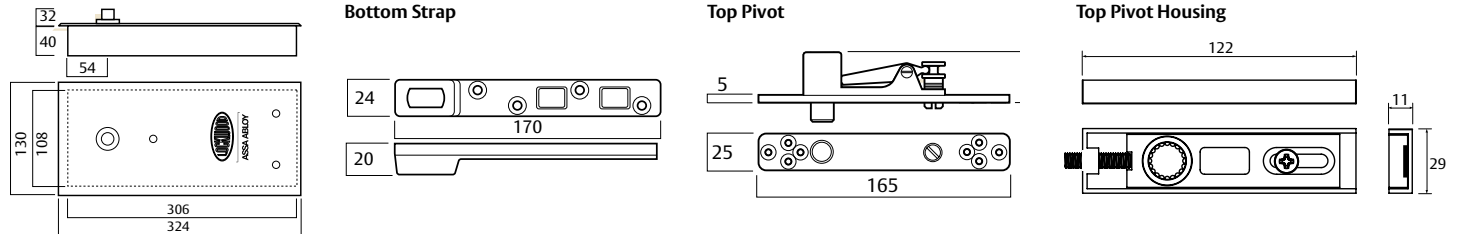
**Hold-Open** Available in both non hold-open and hold-open versions. Mechanical hold-open 90° and 105° in separate units.

## Pivot Door Sets

Suitable for door applications where a free swing pivot door is required. Consists of retractable top pivot set with heavy duty bottom pivot and strap. Suitable for aluminium, glass and timber doors.

# 8800 Series Floor Closer

## Limiting Dimensions



## 8800 Series Product Range

### Non Hold-Open

#### Part Numbers Description

<b>8842NSSS</b>	Size 2 Standard Floor Spring Non Hold-Open
<b>8843NSSS</b>	Size 3 Standard Floor Spring Non Hold-Open
<b>8844NSSS</b>	Size 4 Standard Floor Spring Non Hold-Open

### 105° Hold-Open

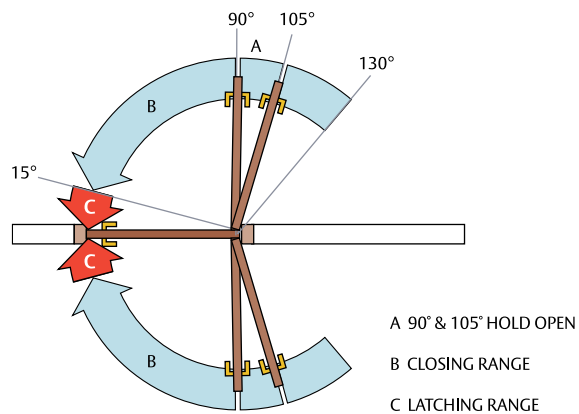
#### Part Numbers Description

<b>8842H105SSS</b>	Size 2 Standard Floor Spring 105° Hold-Open
<b>8843H105SSS</b>	Size 3 Standard Floor Spring 105° Hold-Open
<b>8844H105SSS</b>	Size 4 Standard Floor Spring 105° Hold-Open

### 90° Hold-Open

#### Part Numbers Description

<b>8842H90SSS</b>	Size 2 Standard Floor Spring 90° Hold-Open
<b>8843H90SSS</b>	Size 3 Standard Floor Spring 90° Hold-Open
<b>8844H90SSS</b>	Size 4 Standard Floor Spring 90° Hold-Open

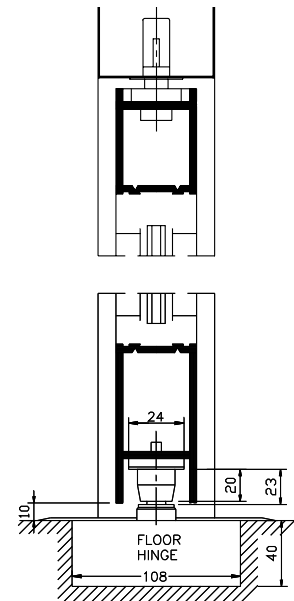
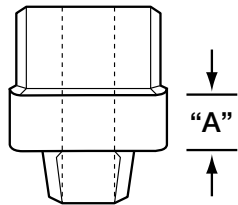




# 8800 Series Floor Closer

## Size Selection Chart

Spring Size	Door width	Max Door Weight	Closing Torque
2	850 mm	120 kg	20 Nm
3	950 mm	120 kg	27 Nm
4	1100 mm	120 kg	39 Nm



## Extended Spindle Range

	Standard Inset	+5mm	+10mm	+15mm	+20mm	+25mm	+30mm
<b>Part Number</b>	SP884-60	SP884-60-5	SP884-60-10	SP884-60-15	SP884-60-20	SP884-60-25	SP884-60-25
<b>3° Left Hand Offset</b>							
<b>Part Number</b>	SP884-60LH	SP884-60-5LH	SP884-60-5LH	SP884-60-15LH	SP884-60-20LH	SP884-60-25LH	SP884-60-30LH
<b>3° Right Hand Offset</b>							
<b>Part Number</b>	SP884-60RH	SP884-60-5RH	SP884-60-10RH	SP884-60-15RH	SP884-60-20RH	SP884-60-25RH	SP884-60-30RH

# 8800 Series Floor Closer

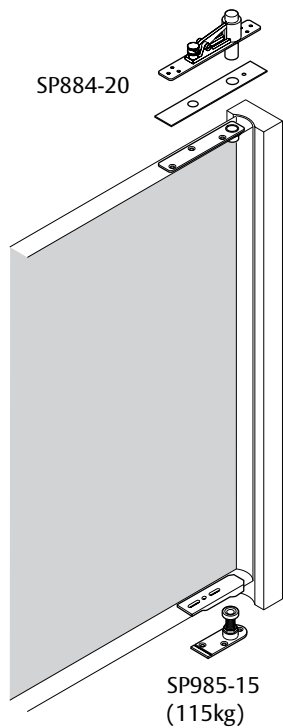
## Pivot Door Set Product Range

Part Numbers	Description
985-300	Aluminium or Timber Door Pivot Kit
985-350	Glass Door Pivot Kit
985-400	Heavy Door Pivot Kit

### Description

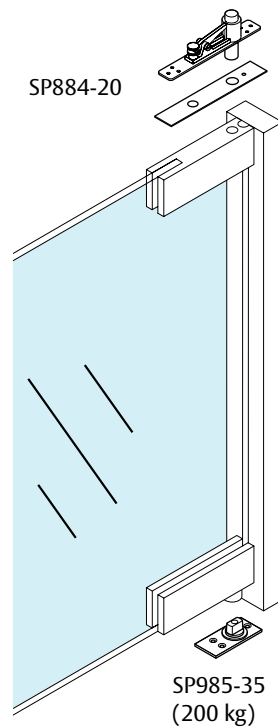
Suitable for door applications where a free swing pivot door is required. Consists of retractable top pivot set with heavy duty bottom pivot and strap. Suitable for aluminium, timber and glass doors.

#### Aluminium or Timber Door Pivot Kit



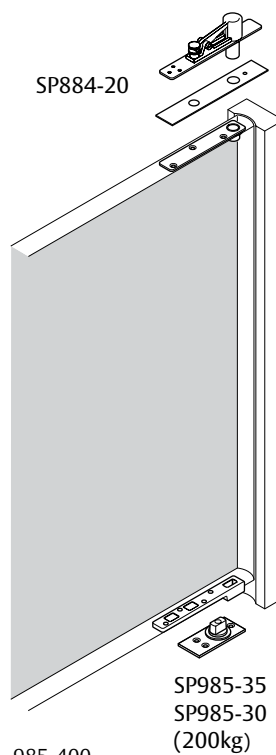
985-300

#### Glass Door Pivot Kit



985-350

#### Heavy Door Pivot Kit



985-400



**ASSA ABLOY**

**Lockwood** is the leading brand in the Australian locking industry. With an established reputation for high quality products, this iconic brand provides a wide range of locking solutions to residential housing, commercial building and industrial application markets. Lockwood is supported by an extensive distribution and after-sales support network. Our customers include retailers, architects, trade and industrial personnel, locksmiths and security dealers.

**ASSA ABLOY** is the global leader in door opening solutions, dedicated to satisfying end-user needs for security, safety and convenience.

**ASSA ABLOY** is represented in all major regions, in both mature and emerging markets, with leading positions in Australia, Europe and North America.

**25YEAR  
MECHANICAL  
WARRANTY**

### **The Lockwood 25 Year Mechanical Warranty**

Our belief that we manufacture the finest premium products available in today's market place is backed by the Lockwood 25 Year Mechanical Warranty, ensuring that Lockwood continues to keep Australians safe by delivering security and peace of mind.

For warranty terms and conditions, please visit [www.lockweb.com.au](http://www.lockweb.com.au) or call **1300WARRANTY**

**ASSA ABLOY Australia Pty Ltd**  
235 Huntingdale Road  
Oakleigh, Victoria, 3166  
Australia

**1300 LOCK UP (1300 562 587)**  
[lockweb.com.au](http://lockweb.com.au)

**ASSA ABLOY New Zealand Ltd**  
6 Armstrong Road  
Albany, Auckland, 0632  
New Zealand

[info.nz@assaabloy.com](mailto:info.nz@assaabloy.com)  
Telephone +64 9415 7111  
[assaabloy.co.nz](http://assaabloy.co.nz)

