

mardeco[®]

m
series[™]

REFINED
SLIDING
DOOR
HARDWARE



EXCITINGLY DIFFERENT



UNCOMPROMISING SIMPLICITY

The M-Series range of sliding door hardware by Mardeco represents a new age of flush pull handles and privacy locks for timber and aluminium sliding doors.

Packed with innovation and sophistication, these sleek, modern handles represent simplicity through uncompromising design. With Mardeco taking the time to get the range perfect, quality and ease of use have been emphasised in every aspect, from the handles themselves to the installation resources and packaging.

Designed in New Zealand, the M-Series perfectly represents what Mardeco is all about ... quality, design and good service. M-Series hardware comes with detailed installation instructions and additional parts for multiple applications, giving your project a cohesive look.

There are so many decisions to be made when it comes to fitting out a project, yet the decision about which sliding door hardware to choose is an easy one with the M-Series by Mardeco.

German made stainless steel fasteners by HECO

Elegant sliding lock mechanism

Adjustable backsets

Multiple spindles to suit a range of door thicknesses

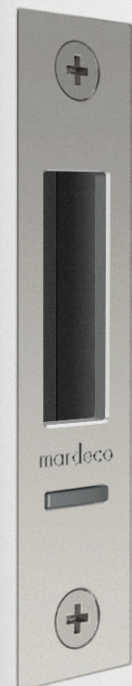
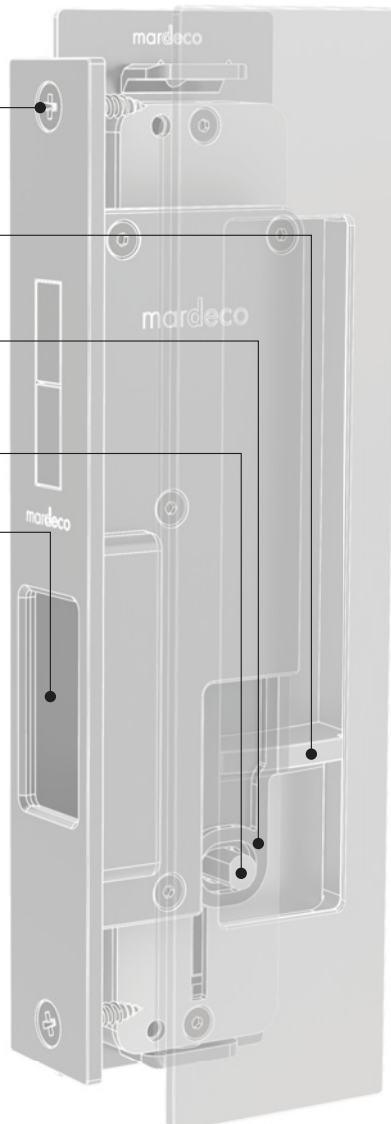
Sensible ergonomic end pull design

FLUSH PULL and END PULL packs also include:

- ✓ All fixing components and fasteners for timber or aluminium sliding doors and kitchen cabinetry.
- ✓ Templates for multiple applications.

FLUSH PULL PRIVACY SET packs also include:

- ✓ 2 x adjustable backsets. 35 and 50 - 55mm.
- ✓ 3 x spindle sizes to suit door thicknesses 34 - 50mm.
- ✓ Comprehensive installation instructions.
- ✓ Templates for multiple applications.
- ✓ All fixing components and fasteners for timber or aluminium sliding doors.
- ✓ Mardeco hex screw driver.



Everything you need to get it right on site.



1 **m**
series™

END PULL

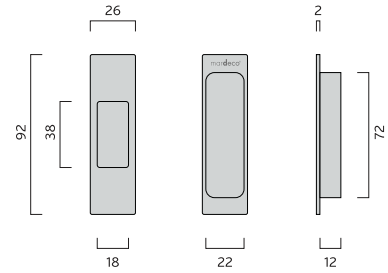
APPLICATION

Sliding Doors
(Timber or Aluminium)
Kitchen Cabinets

CONTENTS

1 x End Pull
Fixing Components

FINISH	CODE
Brushed Nickel	BN8001/92
Satin Chrome	SC8001/92
Bronze	BR8001/92
Black	BL8001/92
Polished Chrome	PC8001/92
Satin Brass	BRS001/92



2 **m**
series™

FLUSH PULL

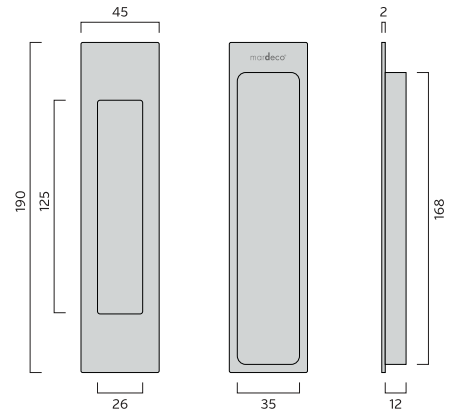
APPLICATION

Sliding Doors
(Timber or Aluminium)
Kitchen Cabinets

CONTENTS

1 x Flush Pull
Fixing Components

FINISH	CODE
Brushed Nickel	BN8002/190
Satin Chrome	SC8002/190
Bronze	BR8002/190
Black	BL8002/190
Polished Chrome	PC8002/190
Satin Brass	BRS8002/190



Timeless yet modern, simple yet advanced, the new Mardeco m-series range of cavity slider hardware is unique in several ways. Not only can it be used on wooden and aluminium doors of different thicknesses, it also has interchangeable parts, meaning it can suit a number of different backsets.

Sleek and smooth, it feels like it was made for your hand, and the unique lock mechanism looks great and features a fantastic positive locking action. The m-series is exactly what customers have been looking for, as evidenced in the overwhelmingly positive feedback.

Brushed Nickel

Satin Chrome



A RANGE OF QUALITY FINISHES



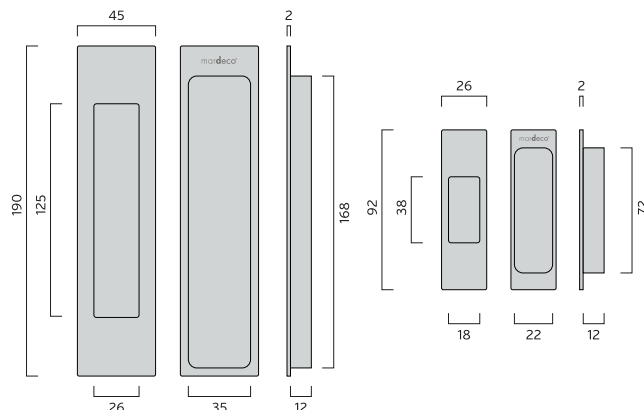
3 **m**
series™

FLUSH PULL SET

APPLICATION
Sliding Doors
(Timber or Aluminium)
Kitchen Cabinets

CONTENTS
2 x Flush Pulls
1 x End Pull
Fixing Components

FINISH	CODE
Brushed Nickel	BN8008/SET
Satin Chrome	SC8008/SET
Bronze	BR8008/SET
Black	BL8008/SET
Polished Chrome	PC8008/SET
Satin Brass	BRS8008/SET



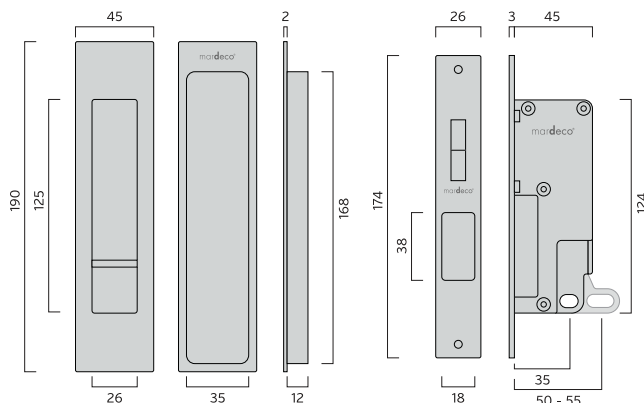
4 **m**
series™

FLUSH PULL PRIVACY SET

APPLICATION
Sliding Doors
(Timber or Aluminium)
Door thickness 34 - 50mm
Backset 35mm & 50 - 55mm

CONTENTS
1 x Flush Pull Privacy Slide
1 x Flush Pull Emergency Release
1 x Sliding Door Lock
1 x Striker Plate & Box
Fixing Components

FINISH	CODE
Brushed Nickel	BN8004/SET
Satin Chrome	SC8004/SET
Bronze	BR8004/SET
Black	BL8004/SET
Polished Chrome	PC8004/SET
Satin Brass	BRS8004/SET



Bronze



Black



Polished Chrome

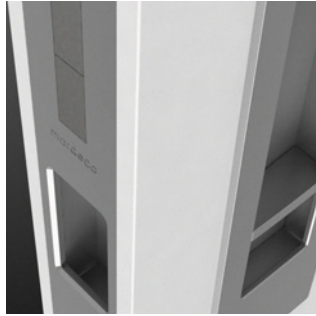


Satin Brass





INNOVATIVE AND SOPHISTICATED



we handle the best



The Mardeco M-Series range of flush pulls are attractively packaged with detailed installation instructions and additional parts for multiple applications and door guages.



For a list of Mardeco M-Series stockists and instructional resources visit www.mardeco.co.nz/mseries



Experience the Mardeco M-Series quality with unique display units at any stockist.



Scan QR code to access instructional videos and other resources on your smartphone or tablet.



Stainless steel screws in M-Series product packs by Heco Schrauben www.heco-schrauben.de

See the huge range of quality handles at your stockist. Ask for a catalogue phone: 0800 820 840 or view our catalogue online at www.mardeco.co.nz.

Mardeco International Ltd PO Box 131 Whangaparaoa Auckland New Zealand 0943 tel. + 64 (0) 9 428 0658 | NZ free phone 0800 820 840 | fax, + 64 (0) 9 428 0659 email info@mardeco.co.nz | www.mardeco.co.nz

Mardeco International Ltd retain the right to change products and specifications without notice. This brochure is printed using eco-friendly soy based inks.

DEALER