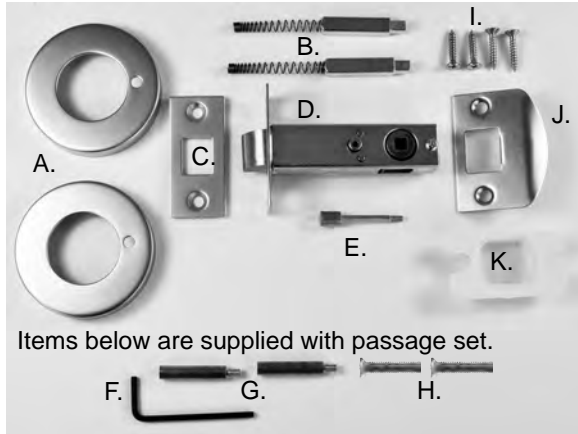


This Privacy Adaptor Kit is used to convert a Mediterranean Lever Passage set into a Privacy function (e.g. for Bedrooms and Bathrooms)

Step 1. Check components supplied

See list of components below:



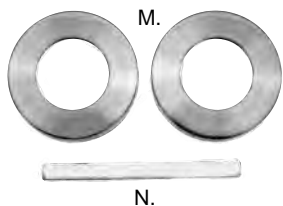
Items below are supplied with passage set.

(Note: Privacy Rosettes may be round or square type.)

- | | |
|-----------------------------------|--------------------------------|
| A. Privacy Cover Plates (2) | G. Brass Posts (2) |
| B. Half spindles with springs (2) | H. Fixing screws (2) |
| C. Latch faceplate (1) | I. Wood screws (2) |
| D. Privacy latch (1) | J. Latch striker plate |
| E. Privacy snib button (1) | K. Latch striker cavity insert |
| F. Grub screw tool (1) | |

Step 2. Set aside passage set items

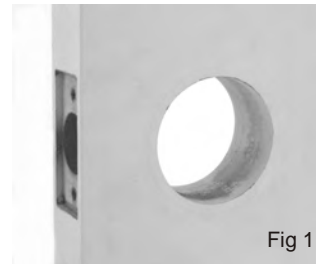
See list below of passage set components to set aside: (these components will not be needed when converting the lever set to a privacy function).



- M. Passage Cover Plates (2)
(Note: Passage Cover Plates may be round or square type.)
- N. Passage set spindle (1)

Step 3. Door preparation

Note: For door preparation instructions and hole drilling templates, See steps 1 & 2 in the Passage set instructions.



Step 4. Install privacy latch

1. Insert privacy latch (D) into latch hole with the tongue facing the correct closing direction (See Figure 2)
2. **Note: The privacy latch, as supplied, is only suitable for inward opening privacy doors. For outward opening doors, the latch tongue will need to be reversed. Please contact Nidus Holdings Pty Ltd to arrange for a modified privacy latch to be sent to you.**



Step 5. Fit the lever privacy set

1. Remove the passage set cover plates (M) from the passage set backplates and set aside
2. Secure the brass posts (H) to the **vertical** threaded post holes in the lever backplate, as shown in figure 3 below. Note: only one lever backplate will have **vertical** post holes.



Fig 3

3. Place a half spindle with spring attached (B) into the spindle cavity with the spring inside the cavity (see Fig 3 above). Do the same with the other lever.
4. Place the half set (with the brass posts and half spindle attached) into the latch as shown in Figure 4 below.



Fig 4

5. Place the other half set (with the half spindle attached) into the latch spindle cavity on the other side of the door and secure with the large screws (G), as shown in Figure 5 below.



Fig 5

(Tip: Before fully tightening the large screws in step 5, screw in and test the privacy snib button, as some backplate adjustment and re-alignment may be necessary.)

6. Place press-on privacy cover plates (A) over the lever backplates, lining up the backplate holes with the corresponding holes (located at the "9 o'clock" position) on the lever backplate.



Fig 6

7. Screw in the privacy snib button (E) as shown in Figure 8 above.



Fig 7

7. Using the Grub screw tool (F), tighten grub screw (located either beneath the lever neck. See Figure 8 above.
8. Check the privacy function. Press Snib in to engage the privacy lock. Use the Lever handle to automatically release the snib locking function. On the external side of the door, use the grub screw tool (F) or similar implement to access the emergency release button through the hole in the privacy cover plate (A).
9. For square privacy cover plates, press the plate firmly against the door and gently tighten the additional grub screw located under the bottom of the cover plate.