

STEEL FRAME ORDER FORM

To complete form: Click shaded areas to type. Click box to tick and select required option. Provide all information as listed in relevant section.
This form is for ordering the Steel Frame ONLY. No doors will be ordered with this form.

IMPORTANT INFORMATION

PLEASE ENSURE ALL MEASUREMENTS AND SPECIFICATIONS ARE ACCURATE, SITE MEASURED AND CHECKED BEFORE ORDERING.
STEEL FRAMES ARE MADE TO ORDER AND CAN NOT BE ADJUSTED ON SITE

STANDARD SIZE REFERENCE GUIDE

REBATE DEPTH:

41mm (for 35-37mm thick doors)
 45mm (for 40mm thick doors)
 51mm (for 45-47mm thick doors)

Please note: Metal Cladding will increase door thickness

STOP HEIGHT:

Non Rated = 15mm
 Fire Rated = 25mm

THROAT WIDTH:

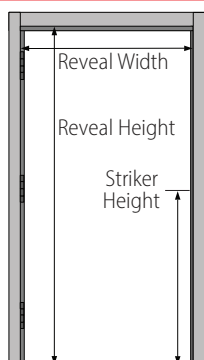
Made to Order

RETURN:

12mm Standard

ARCHITRAVE:

38mm Standard



REVEAL HEIGHT:

Total height inside the frame (including clearances)
 Non Rated = Door Height + 25mm
 Fire Rated = Door Height + 10mm

REVEAL WIDTH:

Total width between each jamb (where the door sits)
 Non Rated = Door Width + 6mm
 Fire Rated = Door Width + 4mm

HINGES:

Hinges are Zinc or Stainless Steel.
 Number of hinges depend on Door Size & Fire Rating
 Refer to Hinge section on page 2 for Fire Rated Door hinge requirements

DOOR THICKNESS:

Non Rated: 35mm to 50mm
 Fire Rated: 35mm-37mm (Mini)
 45mm-47mm (Maxi)

MINIMUM FRAME WIDTH:

suit 320mm wide doors (Non Rated)
 suit 620mm wide doors (Fire Rated)

FIRE RATED FRAME REQUIREMENTS:

Look for the icon for available options.
 Please refer to standard of compliance AS1905.1-2015
 tested in accordance with AS1530.4-2014 for
 back-filling of Fire-Rated Frames

ENTER CUSTOMER DETAILS

CUSTOMER _____	ORDER DATE _____
SITE ADDRESS _____	REFERENCE _____
SITE CONTACT _____	CONTACT PHONE _____
ORDERED BY _____	ORDER NUMBER _____
SIGNED & APPROVED _____	

ENTER DOOR INFORMATION

Please enter ALL door information below.

DOOR HEIGHT: (H) _____ mm	DOOR CONFIGURATION:	DOOR TYPE:	FIRE DOOR TAG REQUIRED?
DOOR WIDTH: (W) _____ mm	<input type="checkbox"/> Single	<input type="checkbox"/> Non Rated	<input type="checkbox"/> Yes (Supplied Loose)
DOOR THICKNESS: _____ mm	<input type="checkbox"/> Double	<input type="checkbox"/> Fire Rated	<input type="checkbox"/> No

WILL YOU BE ORDERING DOORS FROM HUME TO SUIT THIS FRAME? Yes No (Doors will be ordered from different supplier)

PLEASE NOTE: We manufacture our Fire Rated Frames to suit the hinge positions required for HUME Fire Doors. If you are ordering doors from another supplier, our standard hinge placement may not match your requirements. Please refer to Hinge Section on the next page for more information.

ENTER FRAME QUANTITY

Please enter the quantity of frames that are required. Please note: All door & frame requirements must be the same to order more than 1 frame on this form.

FRAME QUANTITY: _____ **FRAME LOCATION & REF:** (eg. Level3-D07) _____

CHOOSE FRAME PROFILE

Please select the Frame Profile required

<p>DOUBLE REBATED PROFILE </p>	<p>SINGLE REBATED PROFILE </p>
<p>PARTITION PROFILE </p>	<p>NEW GENERATION PROFILE </p>

ENTER PROFILE MEASUREMENTS

Please provide all frame measurements below

THROAT WIDTH:

93mm 114mm 145mm

102mm 120mm 193mm

Other: _____ mm

REBATE DEPTH:

41mm (Mini) 15mm

45mm 25mm

51mm (Maxi)

ARCHITRAVE:

38mm (Standard) 12mm (standard)

Other: _____ mm Other: _____ mm

RETURN:

10mm 13mm Other: _____ mm

WALL LINING THICKNESS:
 (For Partition & New Generation Profiles only)

10mm 13mm Other: _____ mm

STEEL FRAME ORDER FORM

To complete form: Click shaded areas to type. Click box to tick and select required option. Provide all information as listed in relevant section.
This form is for ordering the Steel Frame ONLY. No doors will be ordered with this form.




ENTER FRAME SPECIFICATIONS

Please enter ALL frame information below.




REVEAL HEIGHT (H): _____ mm

REVEAL WIDTH (W): _____ mm

FRAME MATERIAL:

- Zinc  Stainless Steel (S/S) 
- Galvanised 

FRAME NOMINAL THICKNESS:

- 1.1mm  (Mini Only) 1.2mm (S/Steel Only)
- 1.4mm  (Maxi) 1.6mm (S/Steel Only) 

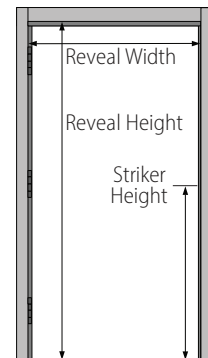
FRAME FINISH:

- Knock Down (Zinc, Galvanised & 304 S/S)
- Assembled - Welded, Dressed & Primed (Zinc, Gal & 304 S/S) 
- Assembled - Welded & Polished (316 S/S Only) 

STRIKER HEIGHT





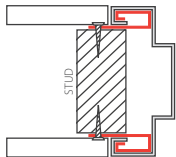
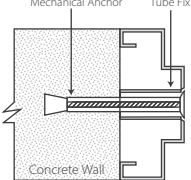
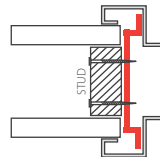
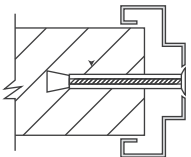
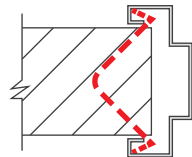
- 1042mm (standard for non-rated)
- 1032mm  (standard for fire-rated)

Please note: Universal striker plate standard



CHOOSE FIXING METHOD

Please select the Frame Fixing method required. For more information on Fixing Methods, please refer to the Hume Commercial Catalogue.
 Please refer to standard of compliance AS1905.1-2015 tested in accordance with AS1530.4-2014 when selecting Fixing Method for Fire-Rated Doorsets.

STUD CLIPS	TUBE FIX 	TOP HAT FIXING 	SCREW HOLES 	WIRE TIES 
Non-rated only  <p>Please select Stud Clip Size:</p> <input type="checkbox"/> 10mm <input type="checkbox"/> 16mm <input type="checkbox"/> 13mm <input type="checkbox"/> Other: _____ mm	 <p>Mechanical Anchor Tube Fix Concrete Wall</p> <p>Bolt & Anchor not included</p>	 <p>STUD</p>	 <p>Bolt & Anchor not included</p>	

ENTER WALL INFORMATION

Please provide all frame measurements below

WALL TYPE:

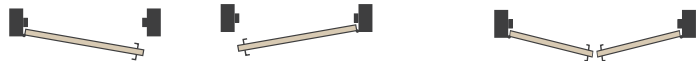
- Brick Block
- Precast Stud
- Other: _____ mm

WALL CONDITION:

- New
- Existing

SELECT HANDING

Please select frame handing.

- Left Hand Right Hand Double
- 
- Plain (No Hinges or Hinge/Striker Prep)

ENTER HINGE INFORMATION

Please enter ALL frame information below.

HINGE MATERIAL

- Zinc
- Stainless Steel

HINGE QUANTITY

- 3 5
- 4 Other: _____

HINGE SIZE

- 100x75  (Non-Rated & Fire Rated doors up to 40mm thick)
- 100x100  (Maxi Fire Rated & Non-Rated over 44mm thick)

IMPORTANT NOTE:

Hume Fire Rated Doors are manufactured to standard of compliance AS1905.1-2015 tested in accordance with AS1530.4-2014
 Due to this, hinge positions for Mini Fire-Rated Doors are determined by the Door Size and can vary from hinge positions on different supplier doors/frames.

As standard, Hume Fire Rated Frames will be manufactured to suit the Hinge requirements for Hume Fire Doors.

IF YOU REQUIRE HINGES IN DIFFERENT POSITIONS DUE TO USING A DIFFERENT DOOR SUPPLIER - PLEASE CONTACT US

For more information on hinge positioning for both Mini and Maxi Fire-Rated Doors, please click here or scan the QR Code



SEND COMPLETED FORM BACK TO HUME COMMERCIAL

Please ensure all areas of the form have been completed and checked then send back to Hume by email below:

ATTENTION: SALES DEPARTMENT

EMAIL: nswinfo@humecommercialdoors.com.au

If you have any questions please contact the Sales Department on 02 4966 8880