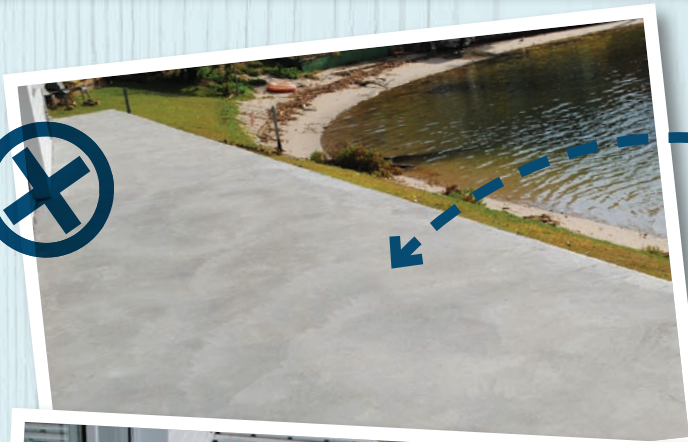


Patio Deck Kit

FOR SUPER-LOW DECKS OVER CONCRETE

Provides top-of-joist height of 35mm (1.4 inches)



Take your "hard" concrete or tiled patio area.

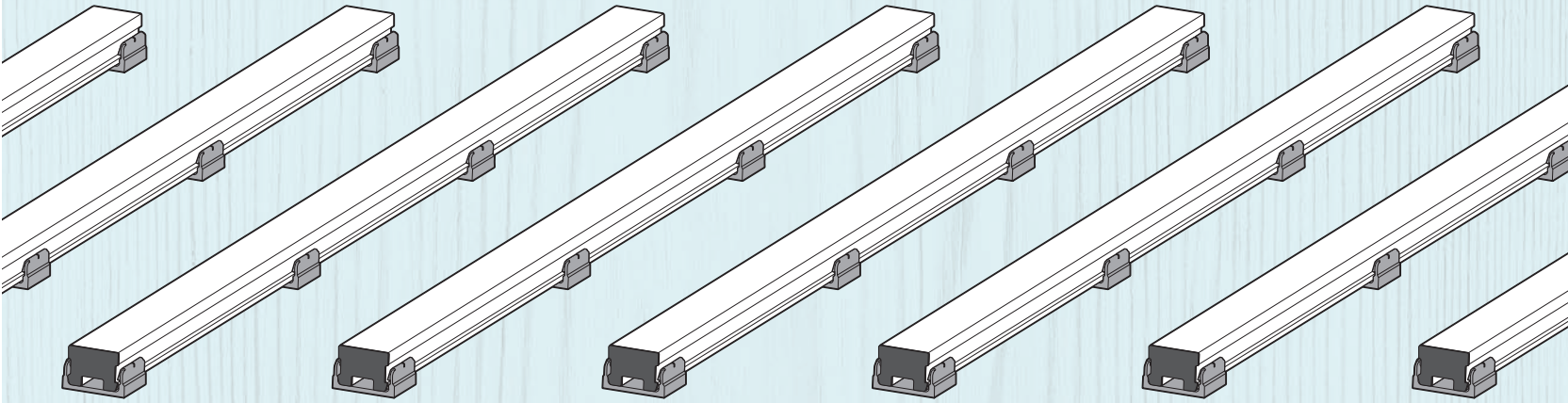


Add our easy to install aluminium joist system - won't rot or rust, whilst still allowing drainage.

Transformed into a "soft" premium - looking deck area, perfect for relaxation or entertainment!



Patio Deck Kit



- ✓ Enables super-low decks over concrete or tiled surfaces.
- ✓ Enables deck height as low as 55mm (2¼ inches).
- ✓ Easy to install for the pro or the handyman.
- ✓ Engineered aluminium profile for extra strength joist.
- ✓ Easy to cut aluminum joist using fine tooth aluminum cutting blade.
- ✓ Strong nylon base clips will last the life of your deck.
- ✓ Zero possibility of moisture transfer that is prevalent through using timber battens/joists onto concrete.
- ✓ Won't rot like timber.
- ✓ Won't rust like steel.
- ✓ In most instances, base clips can be adhered to concrete/tiles with use of adhesives, meaning you do not need to penetrate your concrete or tiled surface/membrane.

Approved Adhesives	Box Coverage (9 joists @ 1 metre length)
Soudal T-Rex Power Flexi or Fix All Flexi SMX adhesive	Aust / NZ: approx. 3.6 sq metres with joists @ 450mm centres
Soudal T-Rex Fast Grab or Fix All High Tack SMX adhesive	USA: approx. 35 sq feet with joists @ 16 inch centres

Notes:

- Check install instructions for fixing in cyclone/tornado areas.
- When using on balcony's, check that the deck height will not encroach on minimum government railing height regulations.
- Base clips provide 4mm clearance over your concrete/tiled area.
- Patio Deck Kit works great with KlevaKlip's Snap-LOC clip system - see website for details.
- If you are not using the Snap-LOC Clip System to fasten your decking boards to the top of the aluminum joists, use galvanized or stainless steel "tek"screws, 8g - 10g x 30-40mm.