

PLATINUM CAVITY UNITS



PLATINUM 3000
(Standard)



PLATINUM 6000
(Heavy duty)



PLATINUM 9000
(Heavy duty floor to ceiling)

INTRODUCTION

- Platinum Cavity is a steel cavity door unit that provides you with more strength, space and design choice. There is a wide selection of widths and heights across three unit configurations which can suit a range of applications, including floor to ceiling and tiled wet areas.



Rolled steel cross section
(Galvanised angle shown)



Converter bumper stops
(Required for flush pull applications only)



Jexis press-release unit
(Sold separately - suitable for flush jamb applications only)

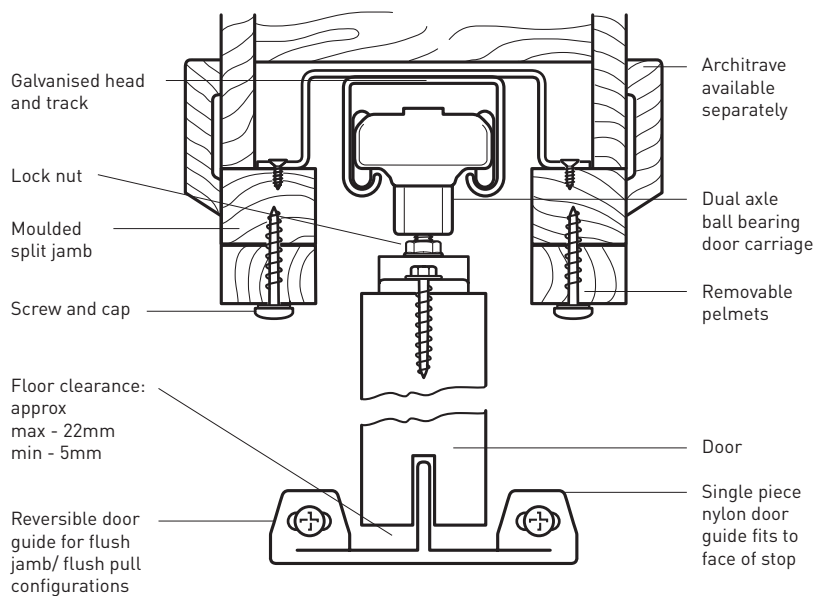
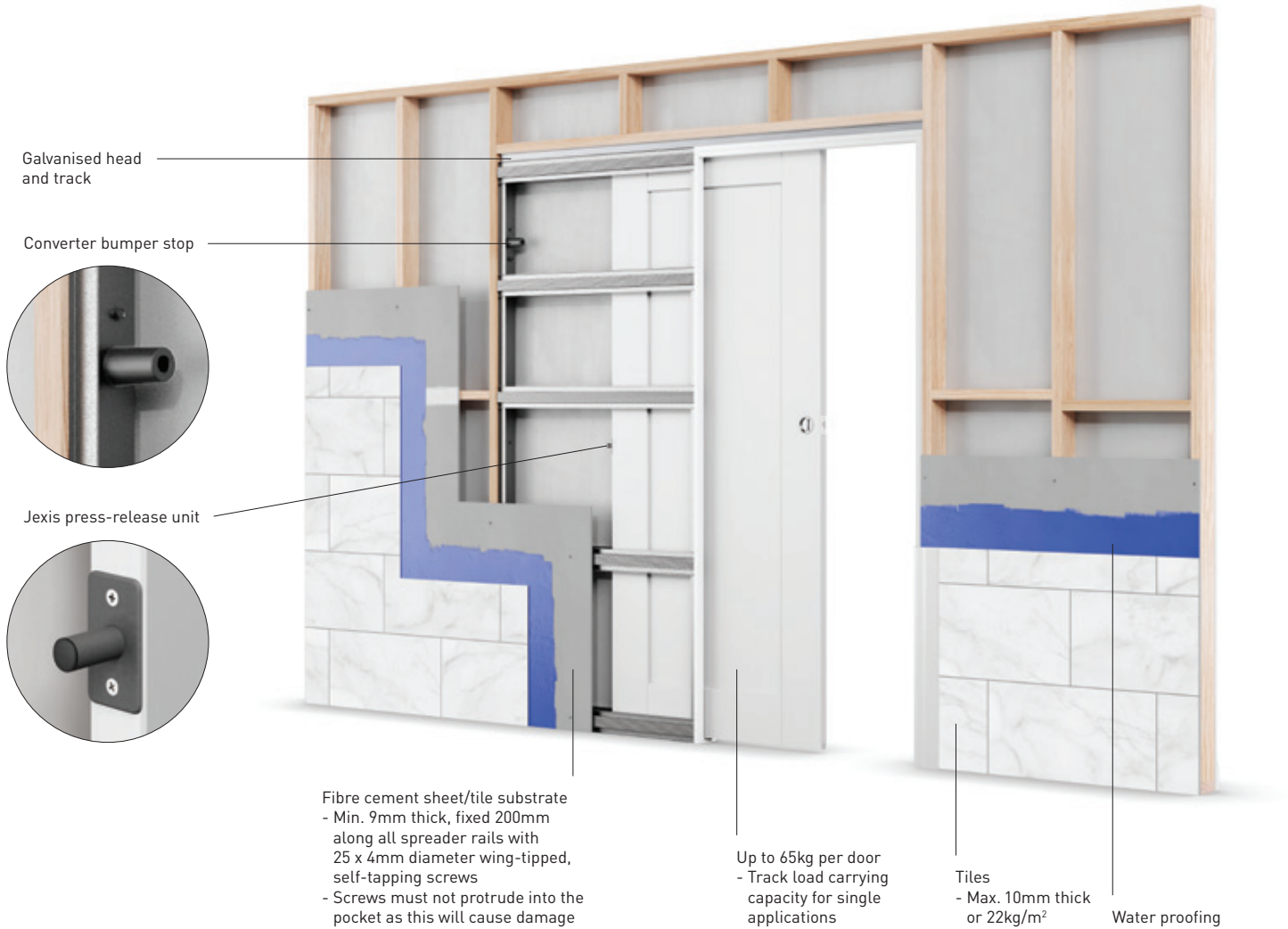
KEY FEATURES

- Steel construction ensures resistance to warp/bow, white ant and rot.
- Rolled steel sections provide additional strength.
- Independently assessed to be fit-for-purpose for tiled wall applications.*
- Ability to carry taller, wider and heavier doors.
- All Platinum Cavity units are supplied in a flush jamb configuration. To achieve a flush pull configuration, units can be retrofitted with two 60mm converter bumper stops.
- In flush jamb applications a Jexis press-release unit can be incorporated making it easier to retrieve the door from the cavity pocket.
- Designed for domestic and commercial applications.
- 5 year warranty – terms and conditions apply.

*For further information, contact your Corinthian sales representative.

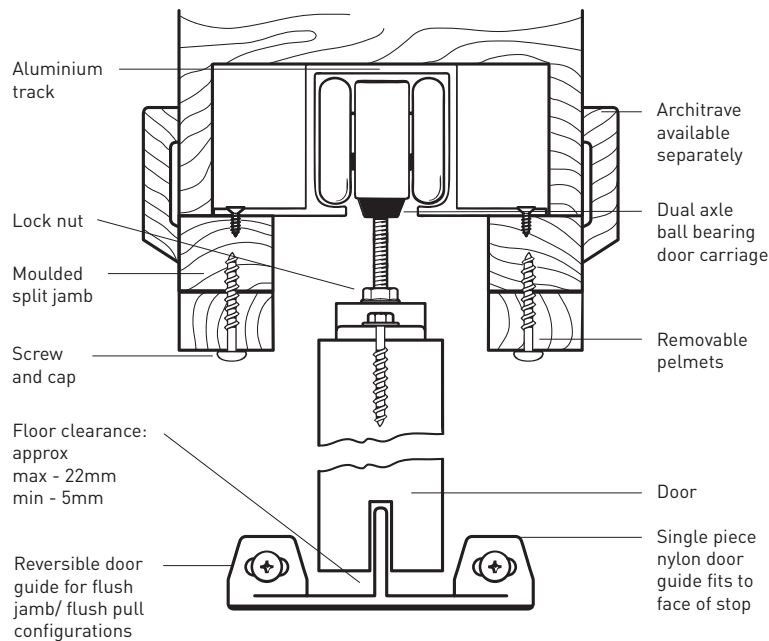
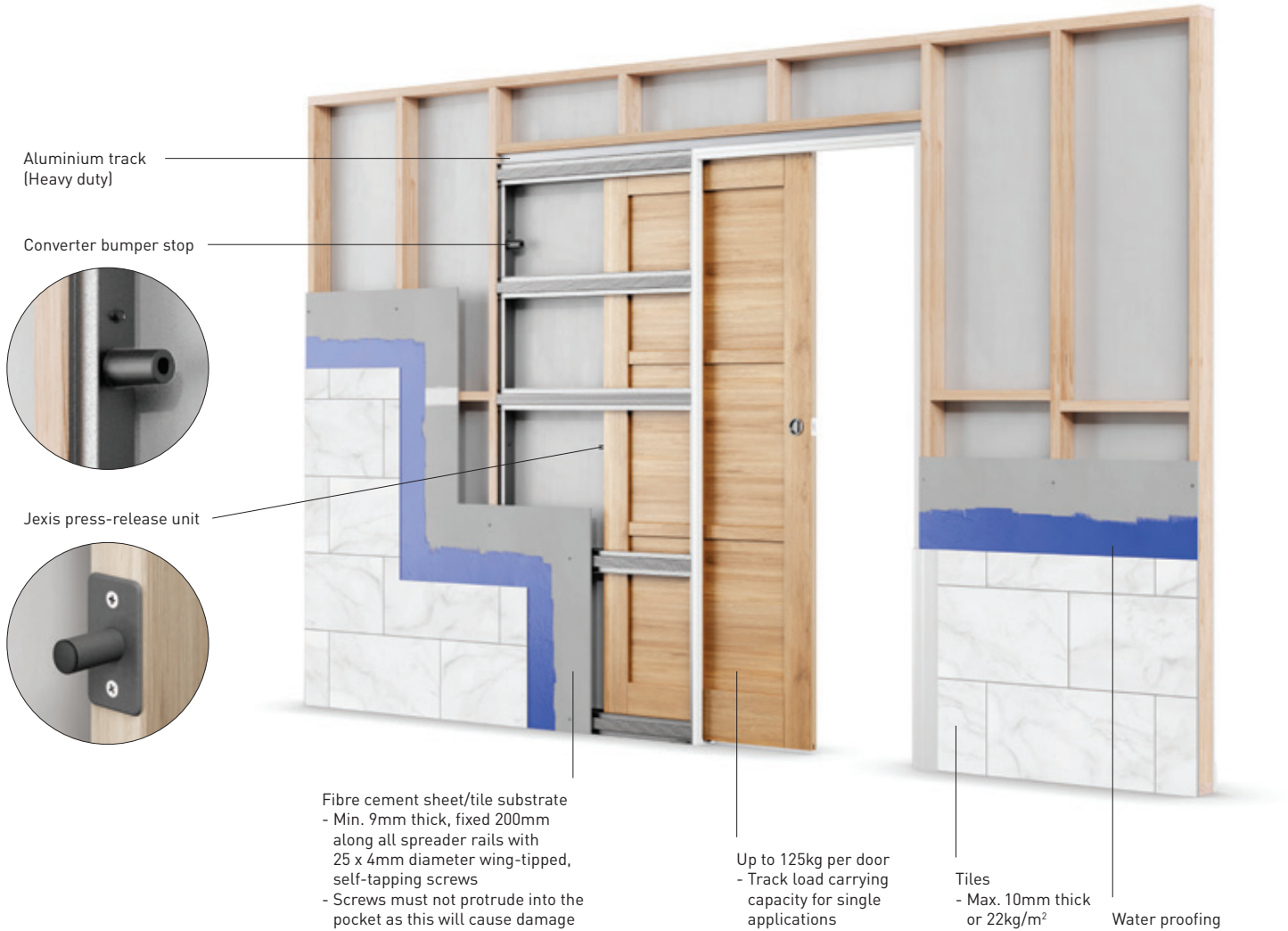
PLATINUM CAVITY UNITS

PLATINUM 3000 STANDARD



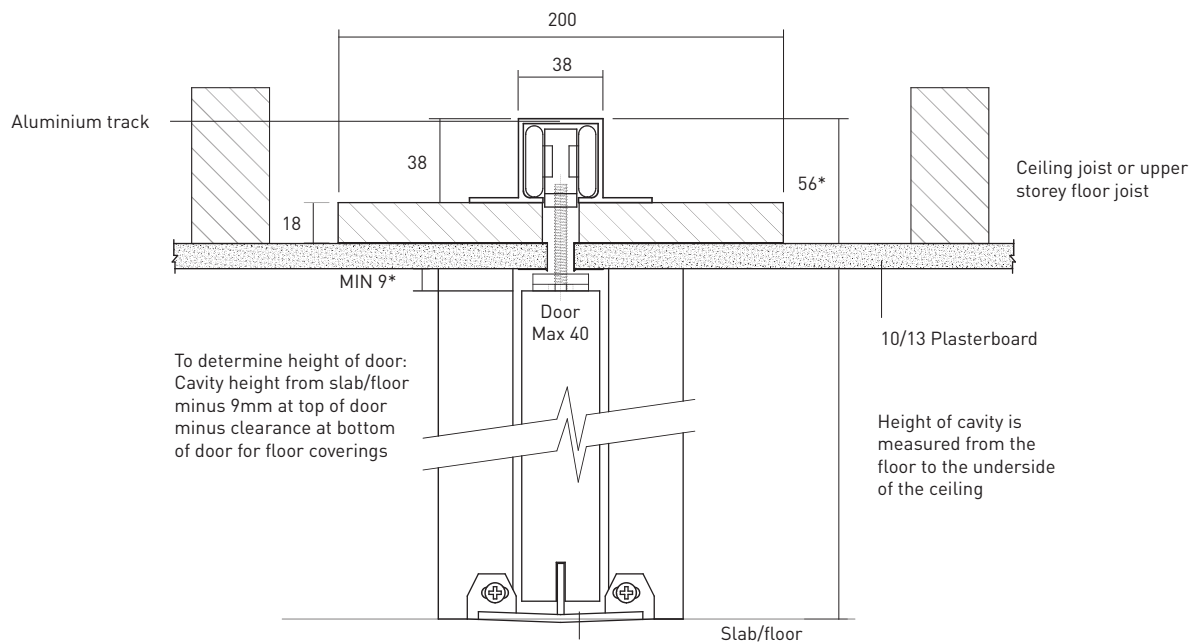
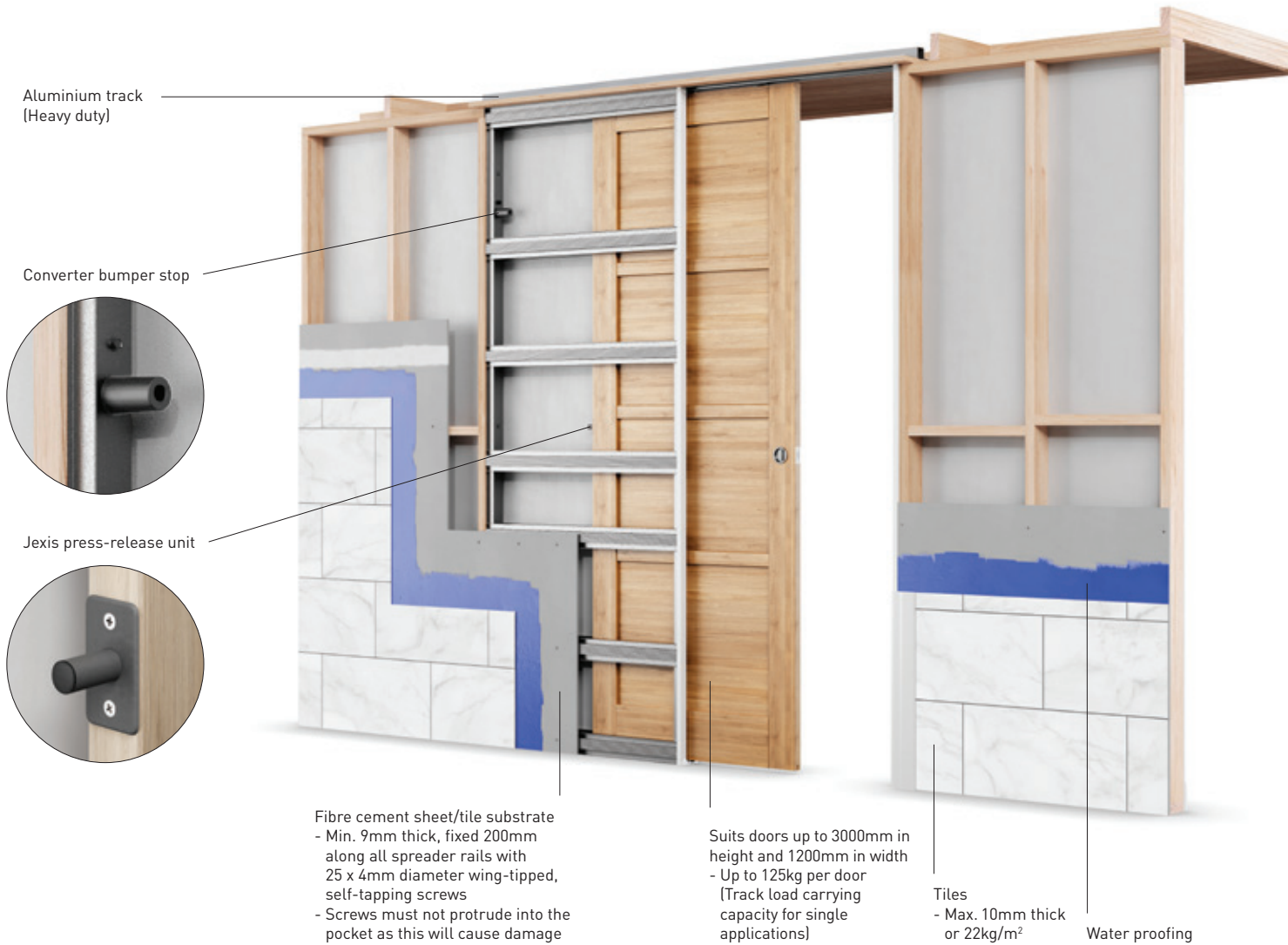
PLATINUM CAVITY UNITS

PLATINUM 6000 HEAVY DUTY



PLATINUM CAVITY UNITS

PLATINUM 9000 HEAVY DUTY FLOOR TO CEILING



*This distance needs to be taken into account when the cavity is being installed 90° to trusses or upper storey floor joist.

Floor clearance to be determined by builder

PLATINUM CAVITY UNITS

SPECIFICATIONS

	PLATINUM 3000 (STANDARD)	PLATINUM 6000 (HEAVY DUTY)	PLATINUM 9000 (HEAVY DUTY FLOOR TO CEILING)
Features	<ul style="list-style-type: none"> - Jump proof twin roller track - Steel construction eliminates issues with white ants or moisture - Unique metal clinching assembly method and rolled steel sections provide additional strength - Single convertible unit - flush jamb converts into flush pull 	<ul style="list-style-type: none"> - Jump proof twin roller track - Steel construction eliminates issues with white ants or moisture - Unique metal clinching assembly method and rolled steel sections provide additional strength - Single convertible unit - flush jamb converts into flush pull 	<ul style="list-style-type: none"> - Custom made to suit specific ceiling heights - Jump proof twin roller track - Steel construction eliminates issues with white ants or moisture - Unique metal clinching assembly method and rolled steel sections provide additional strength - Single convertible unit - flush jamb converts into flush pull
Roller system	Dual axle ball bearings for smooth running.	Dual axle ball bearings for smooth running.	Dual axle ball bearings for smooth running.
Tracks	- Standard track (Galvanised)	- Heavy duty track (Aluminium)	- Heavy duty track (Aluminium)
Track load carrying capacity	Single applications - Up to 65kg per door Double applications - Up to 45kg per door	Single applications - Up to 125kg per door Double applications - Up to 85kg per door	Single applications - Up to 125kg per door Double applications - Up to 85kg per door
Cavity inclusions	<ul style="list-style-type: none"> - 1 x cavity pocket - 1 x head track assembly - 2 x removable fillets - 1 x closing jamb* - 1 x hardware pack: <ul style="list-style-type: none"> - 1 x trolley kit - 1 x screw pack - 1 x glide guide kit^ - 2 x converter bumper stops (Converts flush jamb cavity unit into a flush pull cavity unit configuration) 	<ul style="list-style-type: none"> - 1 x cavity pocket - 1 x head track assembly - 2 x removable fillets - 1 x closing jamb* - 1 x hardware pack: <ul style="list-style-type: none"> - 1 x trolley kit - 1 x screw pack - 1 x glide guide kit^ - 2 x converter bumper stops (Converts flush jamb cavity unit into a flush pull cavity unit configuration) 	<ul style="list-style-type: none"> - 1 x cavity pocket - 1 x head track assembly - 2 x removable fillets - 1 x closing jamb* - 1 x hardware pack: <ul style="list-style-type: none"> - 1 x trolley kit - 1 x screw pack - 1 x glide guide kit^ - 2 x converter bumper stops (Converts flush jamb cavity unit into a flush pull cavity unit configuration)
Installation	When installing in wet areas make allowance for tiles or other floor coverings. Cavity units are not load bearing. Refer to - Corinthian's Cavity Installation Instructions for more information. Failure to adhere to these instructions will void warranty.		
Warranty	5 Years - Terms and conditions apply - refer to Warranty and Terms and Conditions of Sale.		
Special sizes	Prices and lead-times upon application. Cavities will be Made to Order. For further information contact Corinthian Customer Service.		
Made To Order (MTO)	All Cavities are Made To Order (MTO). MTO cavities may only be cancelled on day of ordering.		
Note	All sizes are nominal and in millimetres.		

*VIC, SA & WA only
^QLD, NSW & WA only

HARDWARE PACK INCLUSIONS



SPECIFICATIONS

STUD OPENING HEIGHTS & WIDTHS

OPENING HEIGHT (MM)

DOOR HEIGHT	PLATINUM 3000	PLATINUM 6000
2040	2130	2140
2340	2430	2440

PLATINUM 3000 & 6000

OPENING WIDTH (MM)

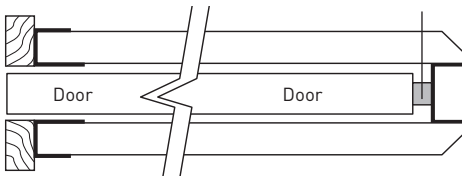
DOOR WIDTH	SINGLE	DOUBLE
620	1300	2550
720	1500	2950
770	1600	3150
820	1700	3350
870	1800	3550
920	1900	3750
1020	2100	4150*
1200	2460*	4870*

*Only available in Platinum 6000. Platinum 9000 units are custom made up to 3000mm in height and 1200mm in width.

SINGLE UNIT - CONVERTS FLUSH JAMB TO FLUSH PULL

FLUSH JAMB

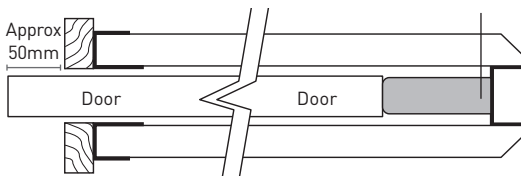
9mm Flush Jamb Bumper
(Standard)



- All Platinum Cavity units are supplied in a flush jamb configuration.
- By installing two 60mm converter bumper stops to the unit's back post prior to installation, the unit can be simply converted into a flush pull configuration.
- 2 x 60mm converter bumper stops are included in all Platinum Cavity unit hardware packs.

FLUSH PULL

60mm Converter Bumper Stop
(Included in hardware pack and must be retrofitted)



*Platinum Cavity with door in fully open position.