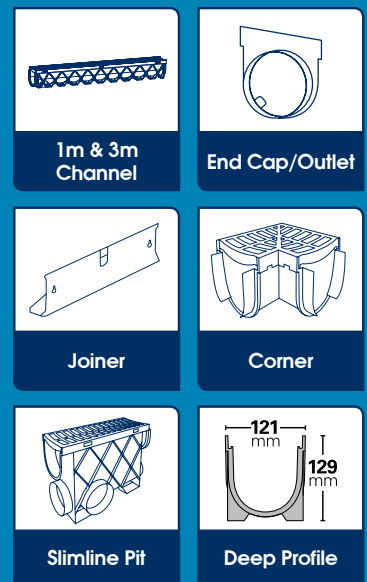
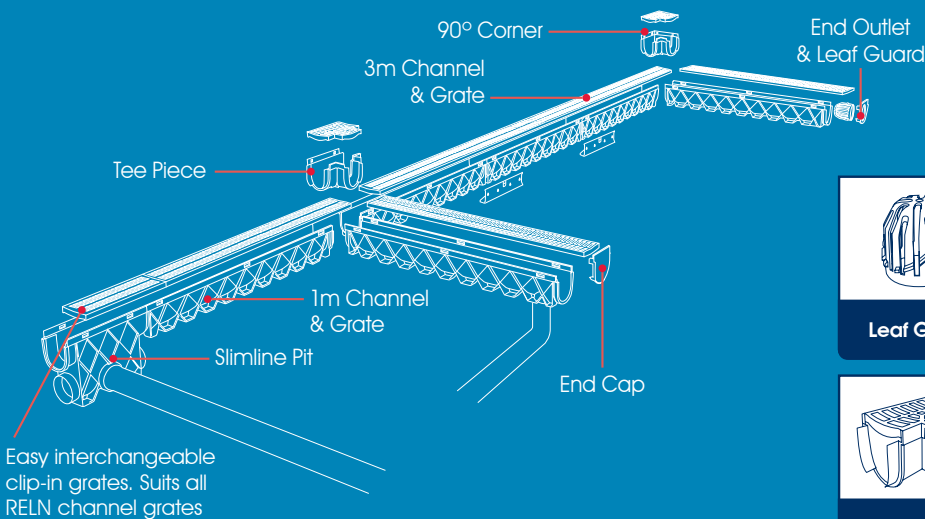


**RELN**  
**Storm**  
**DRAIN™**

## Complete Drainage System

- Ideal for paths, driveways and domestic areas with corners & † sections
- Made in Australia from tough, durable and light-weight, UV-stabilised recycled plastic
- Hold down feet to stop floatation during pouring of concrete
- Available in 1m & 3m lengths, plus a whole range of accessories
- All grates comply to Australian Standards

### Components:



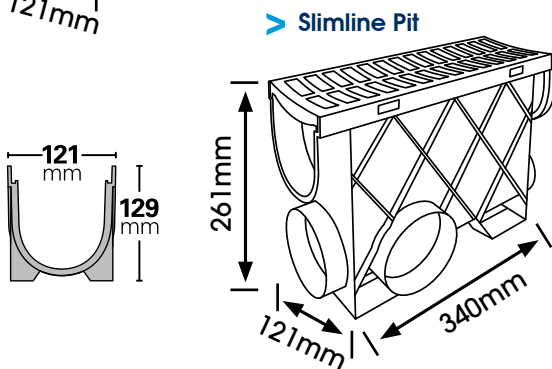
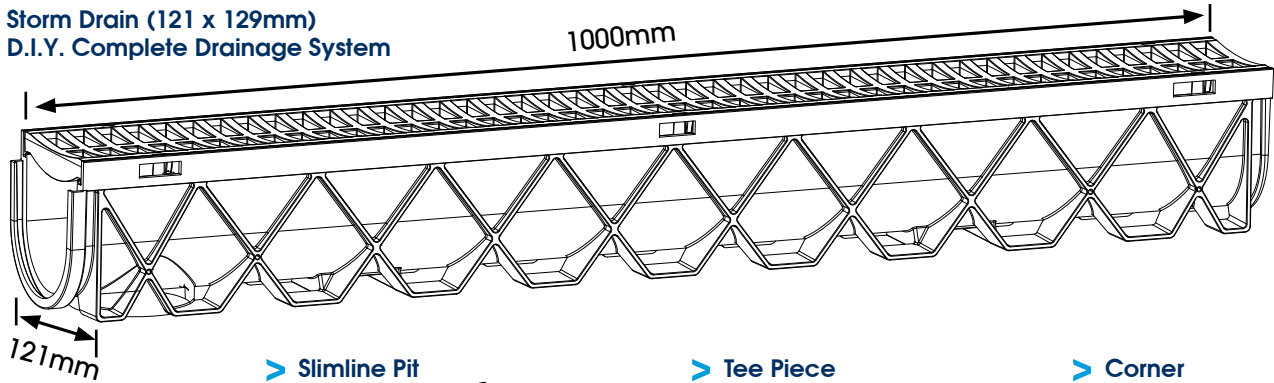
**F** Foundation **L** Landscape **Y** Yard

# Storm Drain - D.I.Y. Complete Drainage System

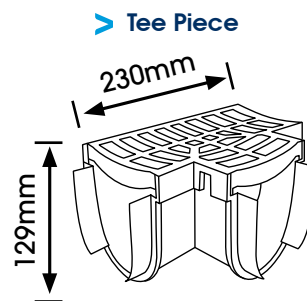


RELN Storm Drain is the complete DIY drainage system designed for paths, driveways and any domestic areas with corners and T sections. With a complete range of accessories available and easily interchangeable clip in grates, Storm Drain is designed to make life easy!

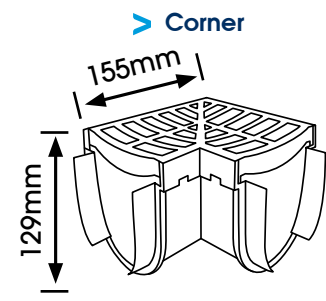
## > Storm Drain (121 x 129mm) D.I.Y. Complete Drainage System



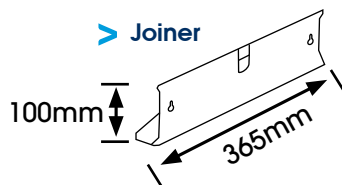
> Slimline Pit



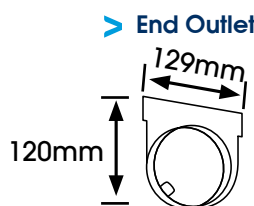
> Tee Piece



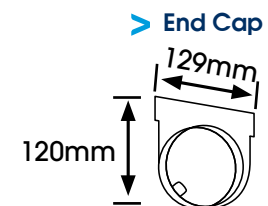
> Corner



> Joiner



> End Outlet



> End Cap

- Ideal for paths, driveways and domestic areas with corners and T sections
- Designed to withstand 5 tonne vehicle weight when correctly installed
- Tough, durable and lightweight UV stabilised recycled plastic
- Available in 1m and 3m lengths
- 100% recycled material
- Australian Made
- Available in all RELN grates
- Easily interchangeable clip in grates
- Hold down feet to stop floatation during pouring of concrete
- Bottom outlet, End Outlet and Slimline pit can be glued to 90mm PVC stormwater pipe

- Leaf Guard prevents blocking outlets and pipes for use on channel and Slimline Pit
  - 90° corner and T-piece for left or right extensions
- Easy clip-together joining for all Storm Drain range accessories

**Grate Options:** (11.3cm x 2.5cm x 1m): Plastic in Black, Sandstone, Terracotta, Portland Grey and Heritage Green. Black Heel Guard Plastic, Architectural, Stainless Steel, Galvanised Steel, Civil Ductile Iron

**Range:** 1m and 3m Channels, Slimline Pit, Joiner, Leaf Guard, End Outlet, 90° Corner, End Cap, Tee Piece, Bottom Outlet, Garage Pack

**Displays:** Hang Pad and Flyer available

## > Frequently Asked Questions

### Q1. What is the best grate for slow moving, heavy, commercial vehicles?

A. Storm Mate and Storm Drain can both be fitted with RELN's Ductile Iron Civil grate which has a Class C wheel loading when installed correctly. Storm Master has its own industrial strength Galvanised Steel Class B grate available in traditional and heel guard variations.

### Q2. What is the best grate for pedestrian heavy areas?

A. Storm Mate and Storm Drain can both be fitted with RELN's Heel Guard plastic grate or RELN's 316 Stainless Steel

Architectural grate. Both have a residential wheel loading when installed correctly up to 1.5 Tonne. Storm Master has its own Galvanised Steel Heel Guard Anti-Slip grate with a Class B wheel loading when installed correctly.

### Q3. Can I use the same grate on Storm Mate and Storm Drain?

A. All our grates for Storm Mate, Storm Drain, Rain Mate, Rain Drain and Rain Drain Trade are interchangeable and fit each channel perfectly. Simple click grate into channel! Storm Master and Polymer Concrete channel have their own grate ranges.



1m Channel complete with Gate

Storm Drain - 1m complete with Black Plastic Gate



Product Code: 003101

Weight: 4.1kg

Load Rating:  
5 Tonne in Concrete



Storm Drain - 1m complete with Black Heel Guard Plastic Gate



Product Code: 003109

Weight: 3.2kg

Load Rating:  
5 Tonne in Concrete



Storm Drain - 1m complete with Galvanised Steel Gate



Product Code: 003017

Weight: 4.2kg

Load Rating:  
5 Tonne in Concrete



Storm Drain - 1m complete with Stainless Steel Gate



Product Code: 003106

Weight: 4kg

Load Rating:  
5 Tonne in Concrete



Storm Drain - 1m complete with 316 Architectural Gate



Product Code: 003271

Weight: 5kg

Load Rating:  
5 Tonne in Concrete



Storm Drain - 1m complete with Ductile Iron Gate - Class C



Product Code: 003108

Weight: 7.3kg

Load Rating:  
**CLASS C**  
5000kg Heavy Duty



Storm Drain - 1m complete with Portland Grey Plastic Gate



Product Code: 003102

Weight: 4.2kg

Load Rating:  
5 Tonne in Concrete



Storm Drain - 1m complete with Terracotta Plastic Gate



Product Code: 003104

Weight: 4.2kg

Load Rating:  
5 Tonne in Concrete





1m Channel complete with Grate / 1m Grate Only

**Storm Drain - 1m complete with Sandstone Plastic Grate**



**Product Code:** 003103

**Weight:** 4.2kg

**Load Rating:**  
5 Tonne in Concrete



9 319022 031031

**Storm Drain - 1m Channel Only**



**Product Code:** 003001

**Weight:** 2.5kg

**Load Rating:**  
N/A



9 319022 030010

**1m - Black Heel Guard Plastic Grate Only**



**Product Code:** 002071

**Weight:** 0.7kg

**Load Rating:**  
5 Tonne in Concrete



9 319022 020714

Perfect for pedestrian areas

**1m - Stainless Steel Grate Only**



**Product Code:** 002090

**Weight:** 1.5kg

**Load Rating:**  
5 Tonne in Concrete



9 319022 020905

Durability and appearance with 304 Stainless Steel

**Storm Drain - 1m complete with Heritage Green Plastic Grate**



**Product Code:** 003105

**Weight:** 4.2kg

**Load Rating:**  
5 Tonne in Concrete



9 319022 031055

**1m - Black Plastic Grate Only**



**Product Code:** 002079

**Weight:** 1.6kg

**Load Rating:**  
5 Tonne in Concrete



9 319022 020790

Perfect for paths, driveways and gardens

**1m - Galvanised Steel Grate Only**



**Product Code:** 002089

**Weight:** 1.7

**Load Rating:**  
5 Tonne in Concrete



9 319022 020899

Hard wearing heavy duty galvanised steel grate

**1m - 316 Architectural Grate complete with Surround Only**



**Product Code:** 003227

**Weight:** 2.5kg

**Load Rating:**  
5 Tonne in Concrete



9 319022 032274

Perfect finish for high end pedestrian applications



1m Grate Only / Accessories

500mm - Ductile Iron Grate Only - Class C - Civil



Perfect for commercial applications with slow moving heavy vehicles

Product Code: 002091

Weight: 2.4kg

Load Rating:



5000kg Heavy Duty



9 319022 020912

1m - Sandstone Plastic Grate Only



Perfect for paths, driveways and gardens

Product Code: 002095

Weight: 1.7kg

Load Rating:

5 Tonne in Concrete



9 319022 020950

1m - Terracotta Plastic Grate Only



Perfect for paths, driveways and gardens

Product Code: 002093

Weight: 1.7kg

Load Rating:

5 Tonne in Concrete



9 319022 020936

1m - Portland Grey Plastic Grate Only



Perfect for paths, driveways and gardens

Product Code: 001203

Weight: 1.7kg

Load Rating:

5 Tonne in Concrete



9 319022 012030

1m - Heritage Green Plastic Grate Only



Perfect for paths and gardens

Product Code: 002086

Weight: 1.7kg

Load Rating:

5 Tonne in Concrete



9 319022 020868

Storm Drain - End Cap



Product Code: 003407

Weight: 0.05kg

Load Rating:

N/A



9 319022 034070

Storm Drain - End Outlet



Product Code: 003408

Weight: 0.4kg

Load Rating:

5 Tonne in Concrete



9 319022 034087

Storm Drain - Joining Clip



Product Code: 003005

Weight: 0.2kg

Load Rating:

5 Tonne in Concrete



9 319022 030058



3m Channel complete with Grate

Storm Drain - 3m complete with Black Plastic Grate



Product Code: 003301

Weight: 9.1kg

Load Rating:  
5 Tonne in Concrete



9 319022 033011

Storm Drain - 3m complete with Black Heel Guard Plastic Grate



Product Code: 003309

Weight: 8.2kg

Load Rating:  
5 Tonne in Concrete



9 319022 033097

Storm Drain - 3m complete with Galvanised Steel Grate



Product Code: 003018

Weight: 9.2kg

Load Rating:  
5 Tonne in Concrete



9 319022 030188

Storm Drain - 3m complete with Stainless Steel Grate



Product Code: 003306

Weight: 9kg

Load Rating:  
5 Tonne in Concrete



9 319022 033066

Storm Drain - 3m complete with Portland Grey Plastic Grate



Product Code: 003302

Weight: 9.2kg

Load Rating:  
5 Tonne in Concrete



9 319022 033028

Storm Drain - 3m complete with Terracotta Plastic Grate



Product Code: 003304

Weight: 9.2kg

Load Rating:  
5 Tonne in Concrete



9 319022 033042

Storm Drain - 3m complete with Sandstone Plastic Grate



Product Code: 003303

Weight: 9.2kg

Load Rating:  
5 Tonne in Concrete



9 319022 033035

Storm Drain - 3m complete with Heritage Green Plastic Grate



Product Code: 003305

Weight: 9.2kg

Load Rating:  
5 Tonne in Concrete



9 319022 033059



90° Corner complete with Grate

Storm Drain - Corner complete with Black Plastic Grate

Product Code: 003401

Weight: 0.37kg

Load Rating:  
5 Tonne in Concrete



Storm Drain - Corner complete with Heel Guard Black Plastic Grate

Product Code: 003412

Weight: 0.4kg

Load Rating:  
5 Tonne in Concrete



Storm Drain - Corner complete with Galvanised Steel Grate

Product Code: 003400

Weight: 0.44kg

Load Rating:  
5 Tonne in Concrete



Storm Drain - Corner complete with Stainless Steel Grate

Product Code: 003406

Weight: 0.44kg

Load Rating:  
5 Tonne in Concrete



Storm Drain - Corner complete with 316 Architectural Grate

Product Code: 003291

Weight: 0.7kg

Load Rating:  
5 Tonne in Concrete



Storm Drain - Corner complete with Ductile Iron Grate - Class C

Product Code: 003411

Weight: 1.29kg

Load Rating:  
**CLASS C**  
5000kg Light Duty



Storm Drain - Corner complete with Terracotta Plastic Grate

Product Code: 003404

Weight: 0.4kg

Load Rating:  
5 Tonne in Concrete



Storm Drain - Corner complete with Sandstone Plastic Grate

Product Code: 003403

Weight: 0.4kg

Load Rating:  
5 Tonne in Concrete





90° Corner complete with Grate / Tee Piece complete with Grate

**Storm Drain - Corner  
complete with Portland  
Grey Plastic Grate**



**Product Code:** 003402

**Weight:** 0.4kg

**Load Rating:**  
5 Tonne in Concrete



9 319022 034025

**Storm Drain - Corner  
complete with Heritage  
Green Plastic Grate**



**Product Code:** 003405

**Weight:** 0.4kg

**Load Rating:**  
5 Tonne in Concrete



9 319022 034056

**Storm Drain - Tee Piece  
complete with Black  
Plastic Grate**



**Product Code:** 003121

**Weight:** 0.45kg

**Load Rating:**  
5 Tonne in Concrete



9 319022 031215

**Storm Drain - Tee Piece  
complete with Stainless  
Steel Grate**



**Product Code:** 003126

**Weight:** 0.53kg

**Load Rating:**  
5 Tonne in Concrete



9 319022 031260

**Storm Drain - Tee Piece  
complete with Sandstone  
Plastic Grate**



**Product Code:** 003123

**Weight:** 0.45kg

**Load Rating:**  
5 Tonne in Concrete



9 319022 031239

**Storm Drain - Tee Piece  
complete with Portland Grey  
Plastic Grate**



**Product Code:** 003122

**Weight:** 0.45kg

**Load Rating:**  
5 Tonne in Concrete



9 319022 031222

**Storm Drain - Tee Piece  
complete with Terracotta  
Plastic Grate**



**Product Code:** 003124

**Weight:** 0.45kg

**Load Rating:**  
5 Tonne in Concrete



9 319022 031246

**Storm Drain - Tee Piece  
complete with Heritage  
Green Plastic Grate**



**Product Code:** 003125

**Weight:** 0.45kg

**Load Rating:**  
5 Tonne in Concrete



9 319022 031253





Slimline Pits complete with Grate

Storm Drain - Slimline Pit complete with Black Plastic Grate



Product Code: 003430

Weight: 1.25kg

Load Rating:  
5 Tonne in Concrete



Storm Drain - Slimline Pit complete with Black Heel Guard Plastic Grate



Product Code: 003439

Weight: 1.65kg

Load Rating:  
5 Tonne in Concrete



Storm Drain - Slimline Pit complete with Galvanised Steel Grate



Product Code: 003441

Weight: 1.45kg

Load Rating:  
5 Tonne in Concrete



Storm Drain - Slimline Pit complete with Stainless Steel Grate



Product Code: 003435

Weight: 1.45kg

Load Rating:  
5 Tonne in Concrete



Storm Drain - Slimline Pit complete with 316 Architectural Grate



Product Code: 003281

Weight: 1.75kg

Load Rating:  
5 Tonne in Concrete



Storm Drain - Slimline Pit complete with Ductile Iron Grate - Class C



Product Code: 002465

Weight: 2.55kg

Load Rating:  
**CLASS C**  
5000kg Heavy Duty



Storm Drain - Slimline Pit complete with Sandstone Plastic Grate



Product Code: 003433

Weight: 1.25kg

Load Rating:  
5 Tonne in Concrete



Storm Drain - Slimline Pit complete with Terracotta Plastic Grate



Product Code: 003432

Weight: 1.25kg

Load Rating:  
5 Tonne in Concrete





Slimline Pits complete with Grate / Garage Packs / Storm Drain Atrium / Concrete Tape

**Storm Drain - Slimline Pit complete with Portland Grey Plastic Grate**



**Product Code:** 003431

**Weight:** 1.25kg

**Load Rating:**  
5 Tonne in Concrete



9 319022 034315

**Storm Drain - Slimline Pit complete with Heritage Green Plastic Grate**



**Product Code:** 003434

**Weight:** 1.25kg

**Load Rating:**  
5 Tonne in Concrete



9 319022 034346

**Storm Drain - Slimline Pit Base Only**



**Product Code:** 003420

**Weight:** 0.95kg

**Load Rating:**  
5 Tonne in Concrete



9 319022 034209

**Storm Drain - Garage Pack complete with 4 x 1m Channel Black Plastic Grate, 1 x End Cap, 1 x End Outlet**



**Product Code:** 003141

**Weight:** 9kg

**Load Rating:**  
5 Tonne in Concrete



9 319022 031413

**Storm Drain - Garage Pack complete with 3x1m Channel Architectural Steel Grate, 1x End Cap, 1x End Outlet**



**Product Code:** 003273

**Weight:** 12.2kg

**Load Rating:**  
5 Tonne in Concrete



9 319022 032731

**Storm Drain - Atrium**



**Product Code:** 003410

**Weight:** 0.3kg

**Load Rating:**  
N/A



9 319022 034100

**Concrete Tape 50m**



**Product Code:** 000069

**Weight:** 0.5kg

**Features & Benefits:**  
Protect your grate when pouring concrete  
Easily removable



9 319022 000693

**Concrete Tape 9m**



**Product Code:** 000070

**Weight:** 0.12kg

**Features & Benefits:**  
Protect your grate when pouring concrete  
Easily removable



9 319022 000709



Surfacewater Stand

Product Code: SWBLUE

Please contact your local sales representative for more information

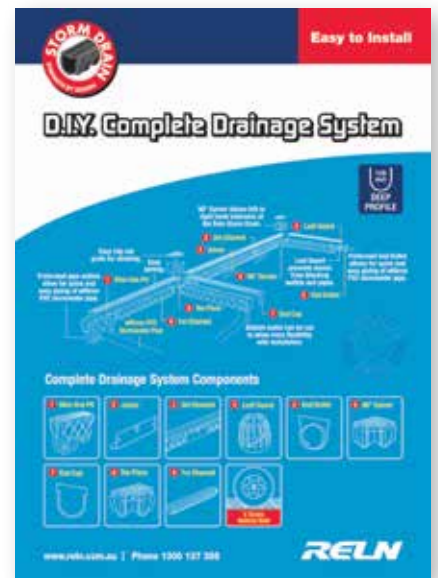


1950mm with Stock

1370mm without Stock

765mm

Depth: 620mm



POS Material for RELN - Storm Drain Hang Pad

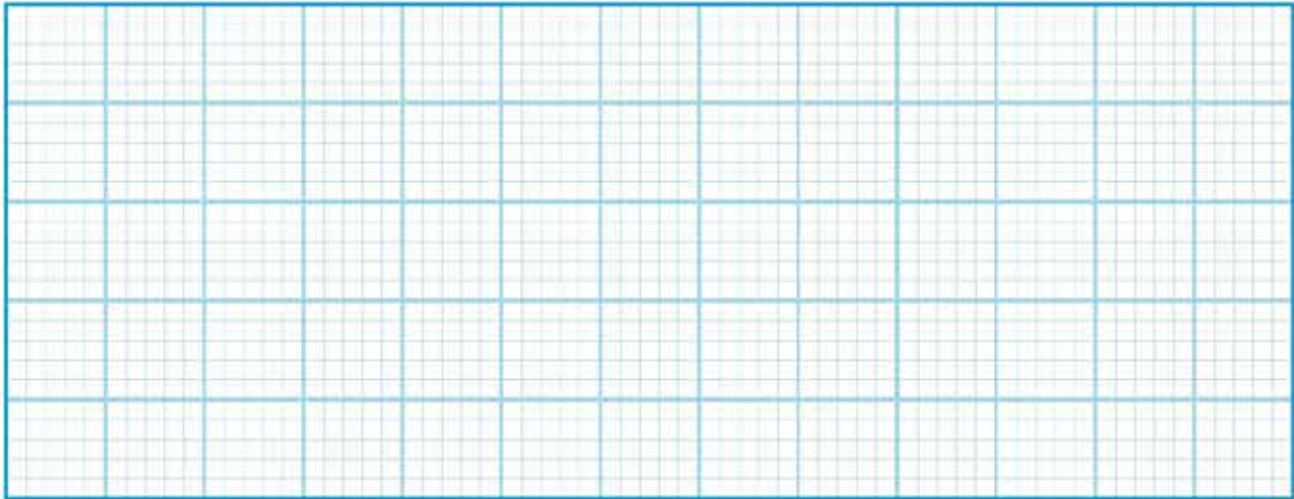
Product Code: 003000














# DIY Drainage Planner

Design your own drainage system



Component	Qty	<input checked="" type="checkbox"/>	Component	Qty	<input checked="" type="checkbox"/>	Component	Qty	<input checked="" type="checkbox"/>
<b>Slim-line Pit 1</b> 		<input type="checkbox"/>	<b>Leaf Guard 4</b> 		<input type="checkbox"/>	<b>End Cap 7</b> 		<input type="checkbox"/>
<b>Joiner 2</b> 		<input type="checkbox"/>	<b>End Outlet 5</b> 		<input type="checkbox"/>	<b>Tee Piece 8</b> 		<input type="checkbox"/>
<b>3m Channel 3</b> 		<input type="checkbox"/>	<b>90° Corner 6</b> 		<input type="checkbox"/>	<b>1m Channel 9</b> 		<input type="checkbox"/>

<b>Grate Options</b>	<input type="checkbox"/> Black	<input type="checkbox"/> Terracotta	<input type="checkbox"/> Sandstone	<input type="checkbox"/> Stainless Steel	<input type="checkbox"/> Portland Grey	<input type="checkbox"/> Heritage Green
----------------------	--------------------------------	-------------------------------------	------------------------------------	------------------------------------------	----------------------------------------	-----------------------------------------

## Installation Instructions for Storm Drain



### 1. Dig the trench

Form trench for ReIn Storm Drain System allowing for a 50mm bed of packed sand and wide enough for a minimum of 100mm backfill of concrete on each side. Allow slope of approximately 30cm to every 20m.



### 2. Insert End Cap or End Outlet

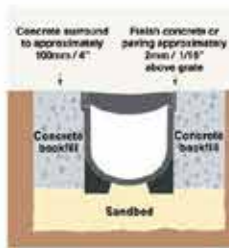
Join ReIn Storm Drain System. Joins and End Caps may be sealed with silicone. Use ReIn End Cap at highest point of ReIn Storm Drain Channel. Connect the low end of the Storm Drain Channel to a Rainwater Pit, or, using 90mm PVC pipe use built in Bottom

Outlet, or fit an End Outlet to allow water to clear. Lay Storm Drain Channel out with 90° Corner Piece or Tee Piece connected and End Cap fitted prior to concreting.



### 3. Snap together lengths

Storm Drain Channel can be cut to length with a hacksaw, install with grate fitted. Protect grate with masking tape during concrete pour.



### 4. Finish

Top of grate must be 2mm below concrete or paver surface. Allow 72 hours for concrete to cure before vehicle use or removal of grates.

100% Recycled Plastic

