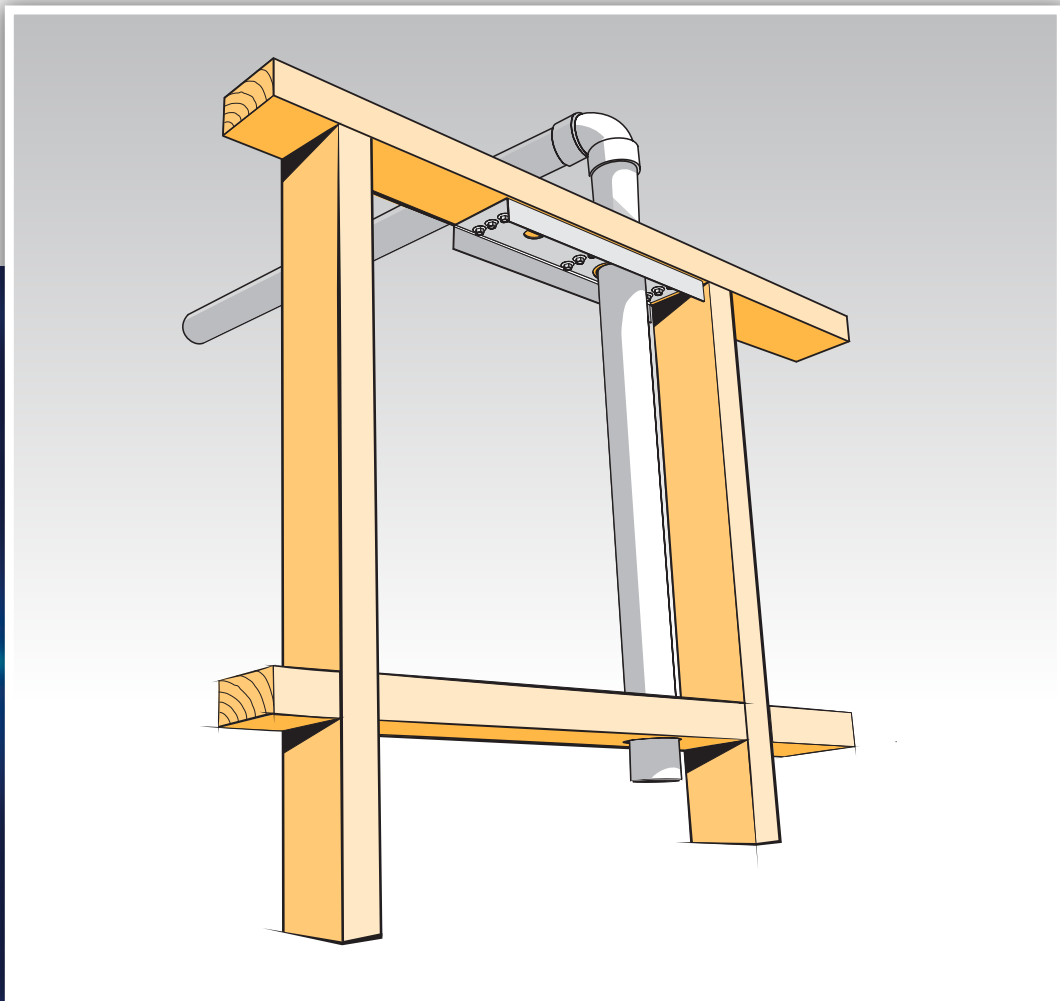
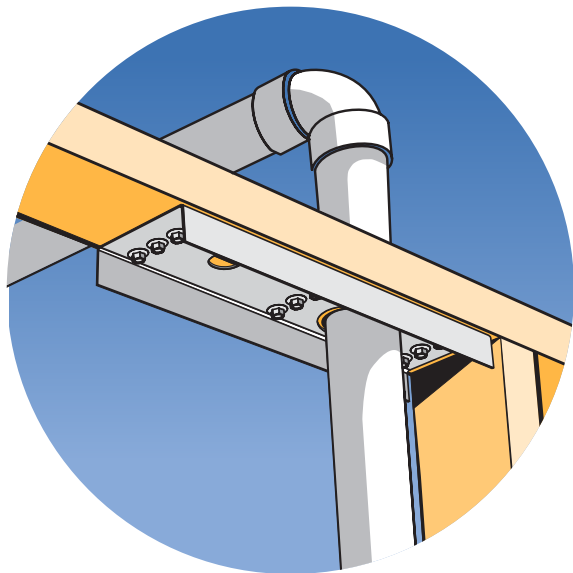


# TOP PLATE STIFFENER



**MiTek<sup>®</sup>**

[mitek.com.au](http://mitek.com.au)



## FOR PLUMBING OR VACUUM SYSTEM DUCTING THROUGH TOP PLATES

### APPLICATION:

The MiTek Top Plate Stiffener is suitable for use in conjunction with AS1684 Residential Timber Construction to reinforce a single loadbearing top plate where a hole for a service duct penetration is required, by restoring the top plate to its original design strength. A TPSA may also be used on non-loadbearing top plates to provide continuity for wall bracing.

## USES

- The top plate shall be a single 90x35 or 90x45 member, and shall be of either MGP10 or MGP12 grade.
- The maximum size of the service duct hole through the top plate shall not be more than 60mm in diameter, and shall be situated between 100mm and 102mm from the face of a stud.
- The TPSA shall be positioned against a stud underneath the top plate when the studs are spaced between 400mm and 600mm apart.
- If the TPSA is too long to fit in between studs (i.e. when they are less than 400mm apart), and if the top plate does not support a truss from above, the TPSA may be fixed on top of the top plate.

## SPECIFICATIONS:

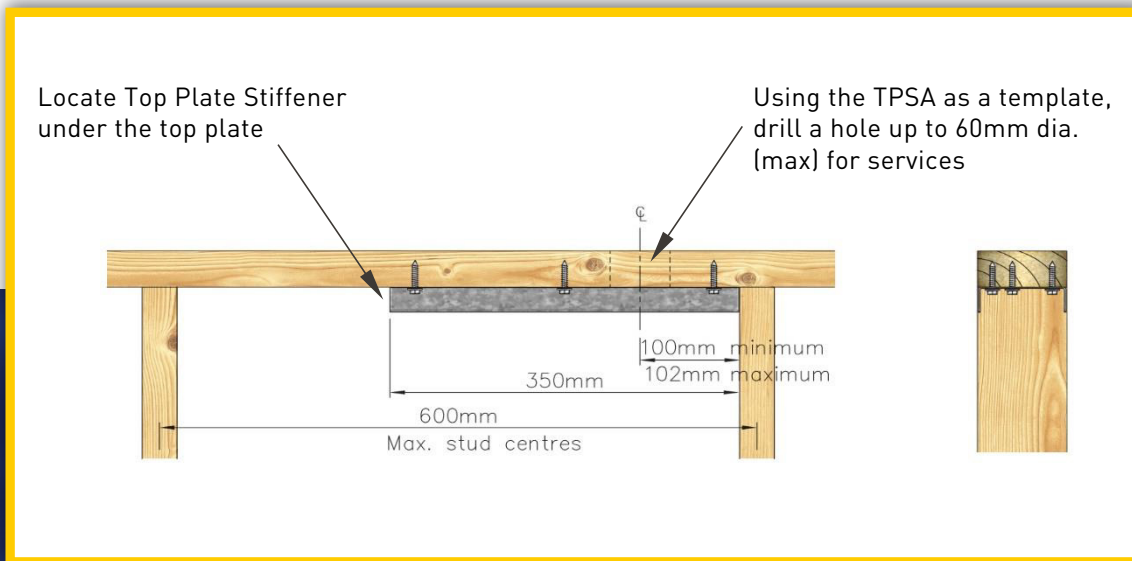
Product Code	TPSA
Steel Grade	G300
Thickness (Total Coated)	1.55mm
Galvanised Coating	Z275
Hex Head Galvanised Screws	10 x Type - 14 g x 35mm

**This certifies that the MiTek Top Plate Stiffener has been tested in accordance with Australian Standards AS1720.1-2010 and AS1649-2001, and meets the requirements of NCC 2019.**

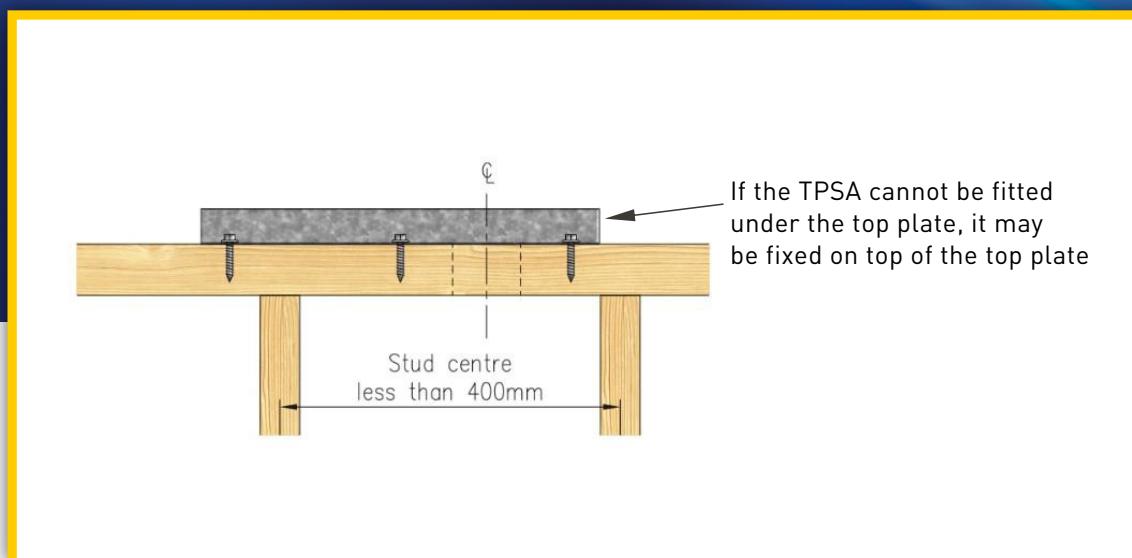
The TPSA shall be fixed to the top plate with MiTek screws supplied with the Stiffener, to the manner shown in the drawings below.

## INSTALLATION:

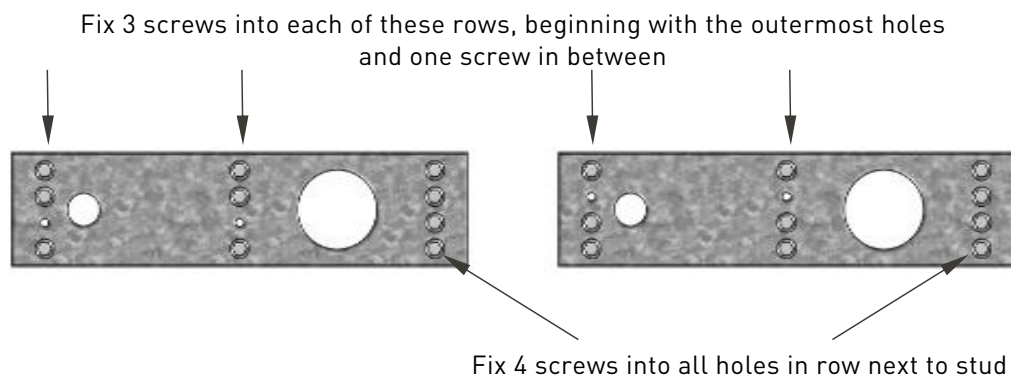
1. Locate the TPSA under the top plate hard against a stud, with the largest hole closest to the stud.



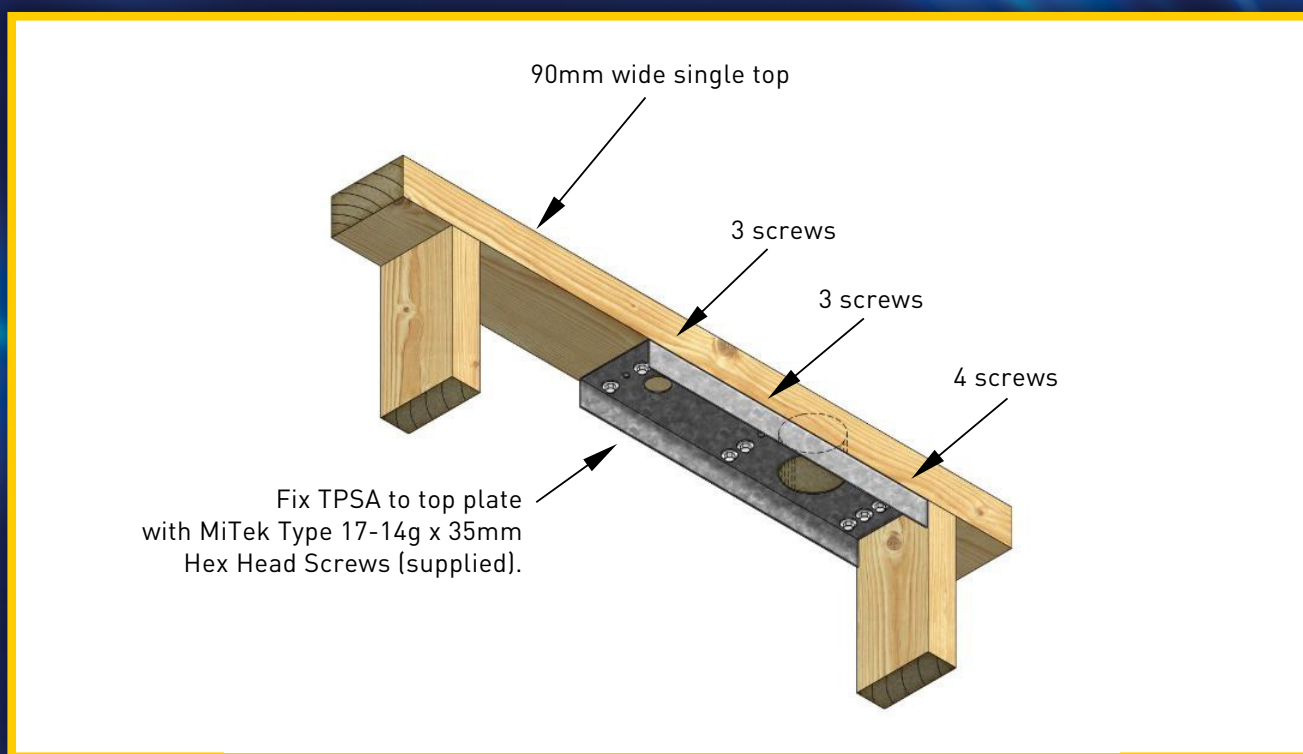
2. If the studs are too close together, and if there is no truss above, the TPSA may be installed on top of the top plate with no restrictions on the location of the 60mm dia. hole.



3. Fix 10 MiTek screws to the pattern shown in the drawings below.



4. Drill a service duct hole of the required diameter (no more than 60mm) through the top plate, using the pre-punched hole in the TPSA as a template.



5. Any tiedown of a truss or framing timber from above may be fixed to the top and/or sides of the top plate only.