

# Chios II Close Coupled



## Ceramic close coupled toilet suite Traditional box rim

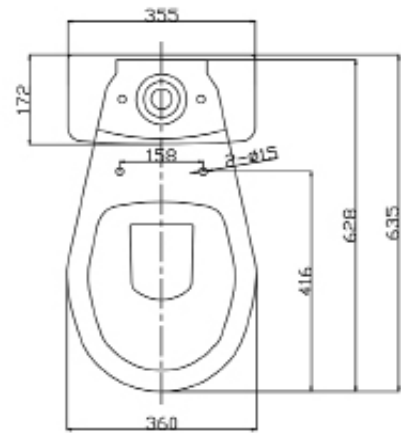
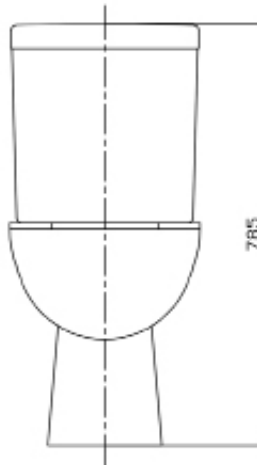
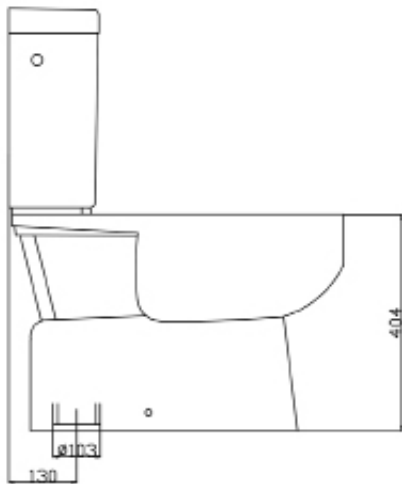
- White vitreous china
- Soft closing seat
- Suitable for S trap installations only
- Right or left bottom entry plumbing

### Order code

192213 Chios II Close Coupled

### Product details

|         |  |
|---------|--|
| CISTERN | Suits bottom entry plumbing. Left and right bottom entry inlet points.   |
| PAN     | Close coupled with box flushing rim.   |
| TRAPS   | S trap installations only.   |
| SEAT    | Soft closing.  |
| WELS    | 4 star rating 4.5/3 litre water saving flush.  |
| SETOUT  | 130 mm.  |
| FIXING  | This is a close coupled toilet suite — the cistern is fixed directly to the pan and does not require wall fixing.<br>Pan may be bedded with cement base or using silicone sealant. |



# SEIMA

kitchen + laundry + bathroom ware

[seima.com.au](http://seima.com.au)

### Please note

- Installation shall be in accordance with AS/NZS3500.
- All measurements are in millimetres. Height dimensions are to base of pan. Make allowance for bedding.
- Bedding: Pan may be bedded with cement base or using silicone sealant. Fix pan to floor using a sand cement mixture of 3:1 to a depth of 60mm. Do not use lime or fast-drying cement.

- Bracket fixing: The pan should be bedded with silicone sealant and fixed with the brackets supplied.
- Do NOT use epoxy type adhesives.
- Dimensions are nominal and subject to normal ceramic manufacturing variations.
- Specifications may vary without notice as part of our continuous improvement practices.
- Clean with a damp cloth. Do not use abrasive cleaners, liquids or pastes.