

Chios Vortex Flush™ Wall Faced

Collection: Essential



Ceramic Wall Faced toilet suite Vortex Flush™

- Wall faced design, sits flat against wall
- Vortex Flush™ pan design for an efficient, powerful flush
- White vitreous china
- PP seat, soft-close, easy-clean quick release seat with stainless steel pins
- S or P trap
- Back entry or bottom entry plumbing

Order codes

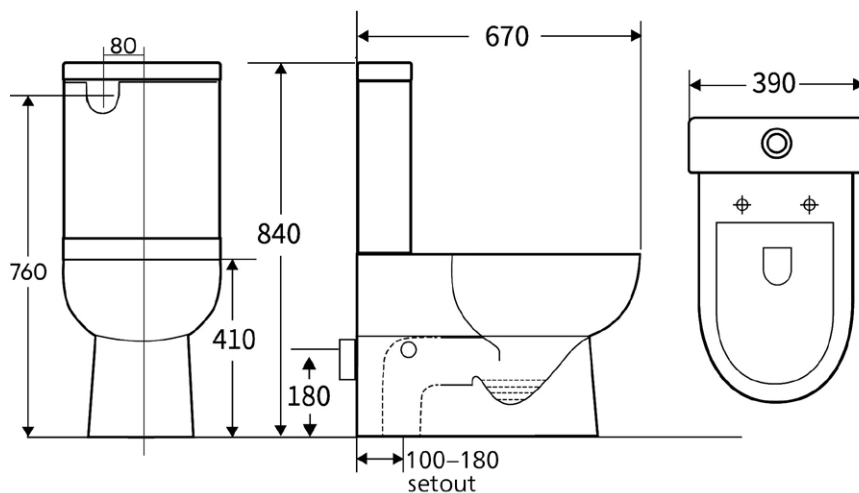
192640 Chios Vortex Flush™ Wall Faced toilet

Product details

CISTERN	Suits back entry and bottom entry inlet plumbing.
PAN	Wall faced close coupled with Vortex Flush™ design, box rim.
TRAPS	Universal trap, suitable for S or P trap installations.
SEAT	PP seat, quick release with stainless steel hinges, soft closing.
WELS	4 star rating 4.5/3 litre water saving flush.
SETOUT	Variable 100-180 mm using supplied connector.
FIXING	This is a close coupled toilet suite — the cistern is fixed directly to the pan and does not require wall fixing. Pan may be bedded with cement base or using silicone sealant.

See Vortex Flush™ in action ...

Click on image below or scan QR code



SEIMA

kitchen + laundry + bathroom ware

seima.com.au

Please note

- Installation shall be in accordance with AS/NZS3500.
- All measurements are in millimetres. Height dimensions are to base of pan. Make allowance for bedding.
- Bedding: Pan may be bedded with cement base or using silicone sealant. Fix pan to floor using a sand cement mixture of 3:1 to a depth of 60mm. Do not use lime or fast-drying cement.

- Bracket fixing: The pan should be bedded with silicone sealant and fixed with the brackets supplied.
- Do NOT use epoxy type adhesives.
- Dimensions are nominal and subject to normal ceramic manufacturing variations.
- Specifications may vary without notice as part of our continuous improvement practices.
- Clean with a damp cloth. Do not use abrasive cleaners, liquids or pastes.