



EVOLUTION CAVITY UNIT PACK

PART 1

PREPARING FRAME (Start here)



PART 2

PREPARE THE DOOR (Keep sealed until door installation)

www.humedoors.com.au



EVOLUTION CAVITY UNIT

INSTALLATION INSTRUCTIONS - PART 1

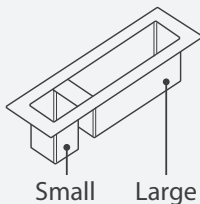
PREPARE THE FRAME

PART 1 (Small section):

- Start by only opening the small side
- Contains screws and instructions to fix track to pocket & install into the opening

PART 2 (Large Section):

- Keep sealed until door installation
- Contains parts and instructions for door preparation and installing the door



COMPONENTS PART1:

- 1 x Head/ track
- 1 x Timber pelmet cover trim
- 1 x Bumper stop
- Assorted screws

Includes – Closing jamb (VIC, SA, TAS, WA)
Excludes – Closing jamb (QLD, NT, NSW, ACT)
Excludes – Door and door furniture

PREPARE THE OPENING

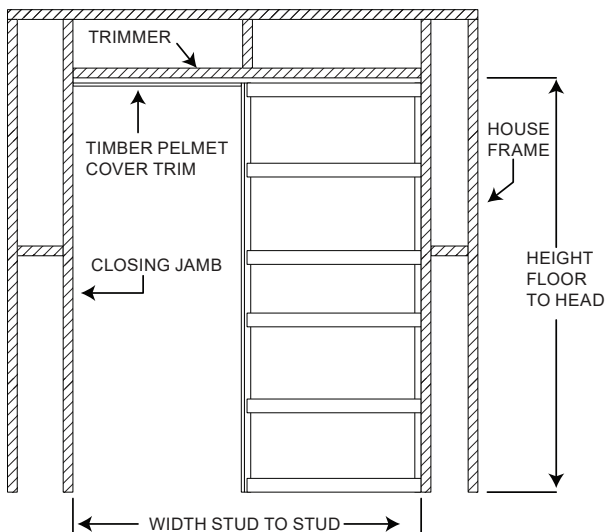
Unit size is tight, allow extra for packing when preparing the opening.

Height = Door height + 70mm (QLD, VIC, TAS, SA, NT, WA)

Height = Door height + 80mm (NSW, ACT)

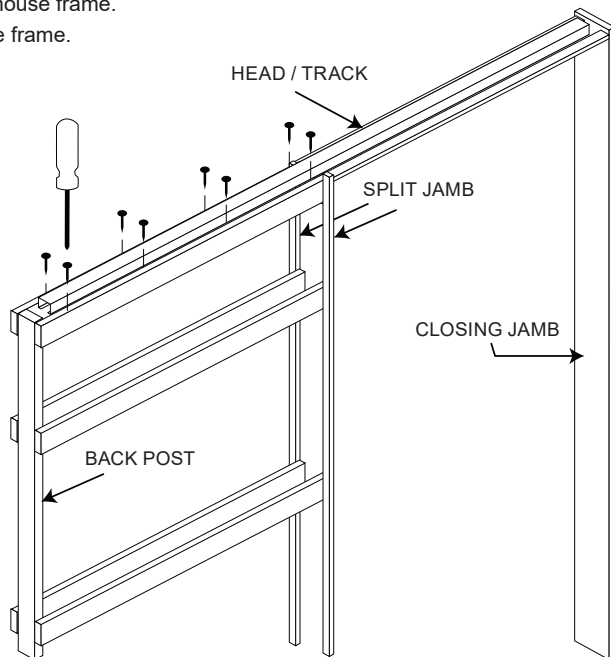
Opening width for Flush Pull = 2 x Door + 10mm
(Flush Pull door protrudes 50mm into the opening)

Opening width for Flush jamb = 2 x Door + 60mm
(Flush jamb the door is flush with split jamb)



1. INSTALLING THE CAVITY

- 1.1 Fit and screw steel head/track to top of cavity unit then remove temporary spacer at top.
- 1.2 Fix closing jamb to head/track (closing jamb is not supplied QLD. NSW. ACT).
- 1.3 Stand the assembled cavity unit into the prepared frame opening, make sure split jambs are plumb, (pack under cavity unit if required for additional clearance under door) then fix through back post of cavity unit into house frame.
- 1.4 Level the head/track and fix through into house frame.
- 1.5 Plumb closing jamb, pack and fix to house frame.



IMPORTANT

At this stage make sure the temporary spacer block, (located between the split jambs, approximately half way up from the bottom) remains in place during cladding and tiling to prevent distortion of split jambs. This block should only be removed when installing the door.



Only open **PART 2** of fittings pack when ready to install the cavity door!

CONTACT DETAILS

NEW SOUTH WALES

P | 02 9794 1111
E | info@humedoors.com.au

QUEENSLAND

P | 07 3489 6200
E | sales@humedoorsqld.com.au

VICTORIA

P | 03 9799 6888
E | hdtvic@humedoors.com.au

SOUTH AUSTRALIA

P | 08 8280 2000
E | hdtsa@humedoors.com.au

WESTERN AUSTRALIA

P | 08 9470 1800
E | hdtwa@humedoors.com.au

NORTHERN TERRITORY

P | 08 8932 3733
E | hdtnt@humedoorsqld.com.au

TASMANIA

P | 0432 042 917
E | tassales@humedoors.com.au

For correct installation and trouble-free use, please follow these instructions carefully. When installing the cavity unit into wall tiled areas, please consult with the substrate/tile manufacturer as to their recommended fixing and tiling methods in accordance with the relevant standards



EVOLUTION CAVITY UNIT

INSTALLATION INSTRUCTIONS - PART 2

PREPARE THE DOOR

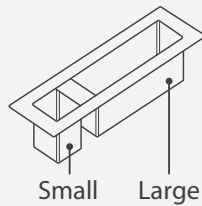
IMPORTANT: Ensure you have completed PART 1 before starting PART 2

PART 1 (Small section):

- Start by only opening the small side
- Contains screws and instructions to fix track to pocket & install into the opening

PART 2 (Large Section):

- Keep sealed until door installation
- Contains parts and instructions for door preparation and installing the door



COMPONENTS PART 2

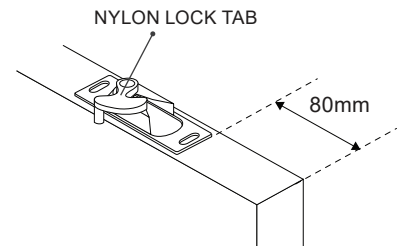
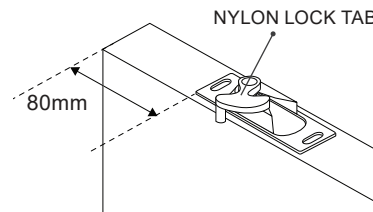
- 2 x 4 Wheel assemblies
- 2 x Base plates
- 1 x Adjusting spanner
- 1 x Left hand nylon guide
- 1 x Right hand nylon guide
- 1 x Two piece nylon guide
- Assorted screws

Includes – Closing jamb (VIC, SA, TAS, WA)
Excludes – Closing jamb (QLD, NT, NSW, ACT)
Excludes – Door and door furniture



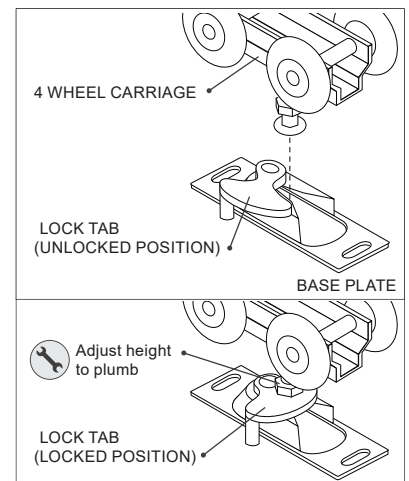
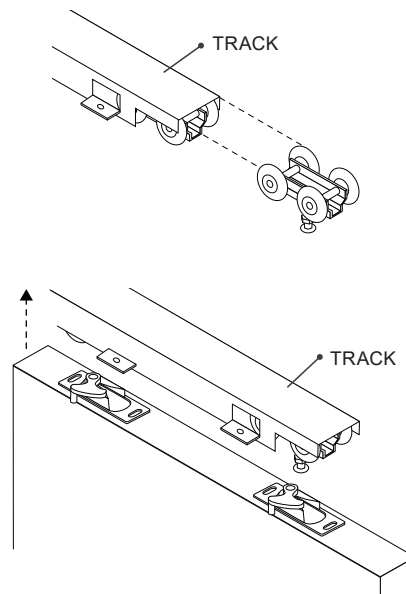
2. PREPARE THE DOOR

- 2.1 Check the door is straight and free of any imperfections. Door must be fully sealed according to Hume Doors & Timber guarantee.
NOTE: Now would be a good time to fit any door furniture.
- 2.2 Attach base plates to top edge of door 80mm from each end with nylon lock tabs both on the same side of door.



3. ATTACHING THE DOOR

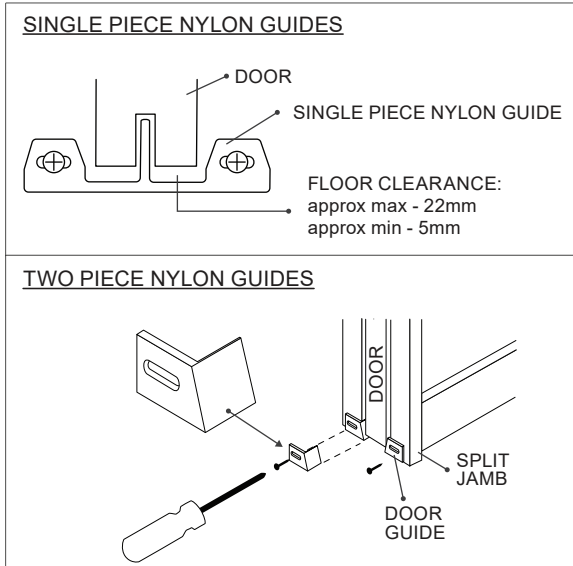
- 3.1 Check that no fixings or other obstructions are protruding into the cavity that may damage the door.
- 3.2 Fit the 4 wheel carriages into track.
- 3.3 Slide the door into cavity
Lift door to slide carriage pins into carriage base plate. Lock in with lock tab. Repeat this process for second carriage.
- 3.4 Using spanner supplied, adjust height and plumb against closing jamb.



4. ATTACHING NYLON GUIDES & TIMBER PELMET

- 4.1 Fasten door guides at the bottom of split jambs as shown and adjust until the door slides evenly and smoothly into the cavity unit.
- 4.2 Fit timber pelmet cover with screws provided (If required trim to desired length).

NOTE: To remove door unscrew removable pelmet, remove door guides and unlock nylon lock tabs. Door will unclick from base plate/s.

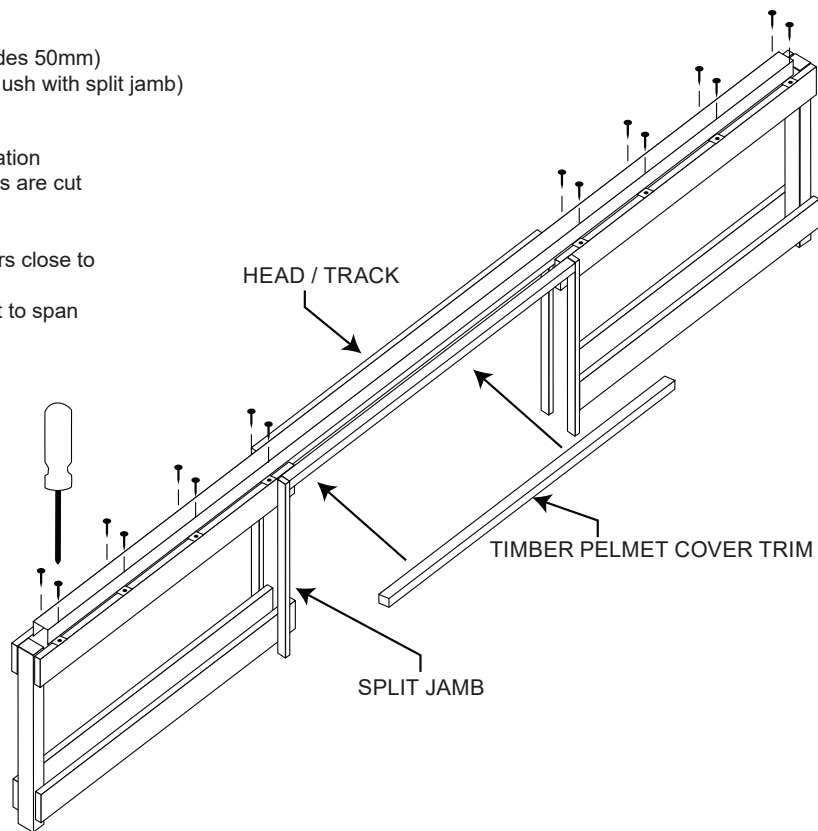
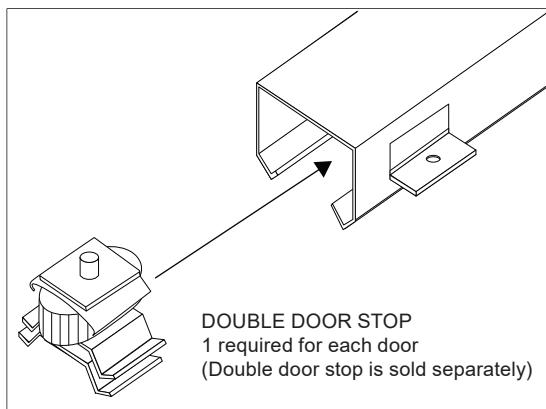


5. DOUBLE DOOR INSTALLATION

NOTE: Double door stop supplied separately
Unit size is tight, please allow extra for packing when preparing the opening.

- Height is the same as single opening.
- Width flush pull = 4 x door width - 60mm (Flush pull the door protrudes 50mm)
 - Width flush jamb = 4 x door width + 40mm (Flush jamb the door is flush with split jamb)

- 5.1 Install 2 x cavities into the opening as per the single cavity installation instructions (closing jamb not required) ensuring the 2 head/tracks are cut to correct length and butted together as shown.
- 5.2 Install doors as per single instructions.
- 5.3 Install double stops into the track as shown, making sure the doors close to the centre.
- 5.4 Fit timber pelmet cover trims with screws provided (If required cut to span the double opening as shown).



CONTACT DETAILS

NEW SOUTH WALES

P | 02 9794 1111
E | info@humedoors.com.au

VICTORIA

P | 03 9799 6888
E | hdtvic@humedoors.com.au

WESTERN AUSTRALIA

P | 08 9470 1800
E | hdtwa@humedoors.com.au

TASMANIA

P | 0432 042 917
E | tassales@humedoors.com.au

QUEENSLAND

P | 07 3489 6200
E | sales@humedoorsqld.com.au

SOUTH AUSTRALIA

P | 08 8280 2000
E | hdtsa@humedoors.com.au

NORTHERN TERRITORY

P | 08 8932 3733
E | hdtnt@humedoorsqld.com.au

For correct installation and trouble-free use, please follow these instructions carefully. When installing the cavity unit into wall tiled areas, please consult with the substrate/tile manufacturer as to their recommended fixing and tiling methods in accordance with the relevant standards